

The photograph may not match the reference exactly. Please read the product description to identify the finish.

### TECHNICAL CHARACTERISTICS

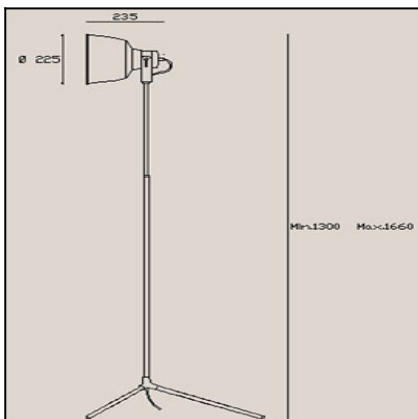
Type:	Floor lamp
Adjustable $\pm 180^\circ$ on the vertical axis	
IP Protection degrees:	IP20
Lampholder:	1 x E27
Power (W):	E27 100W
Total power consumption (W):	180
Voltage / Frequency:	220-240V/50-60Hz
Units per box:	2
Net Weight (Kg):	1.92
EAN:	8435111091128



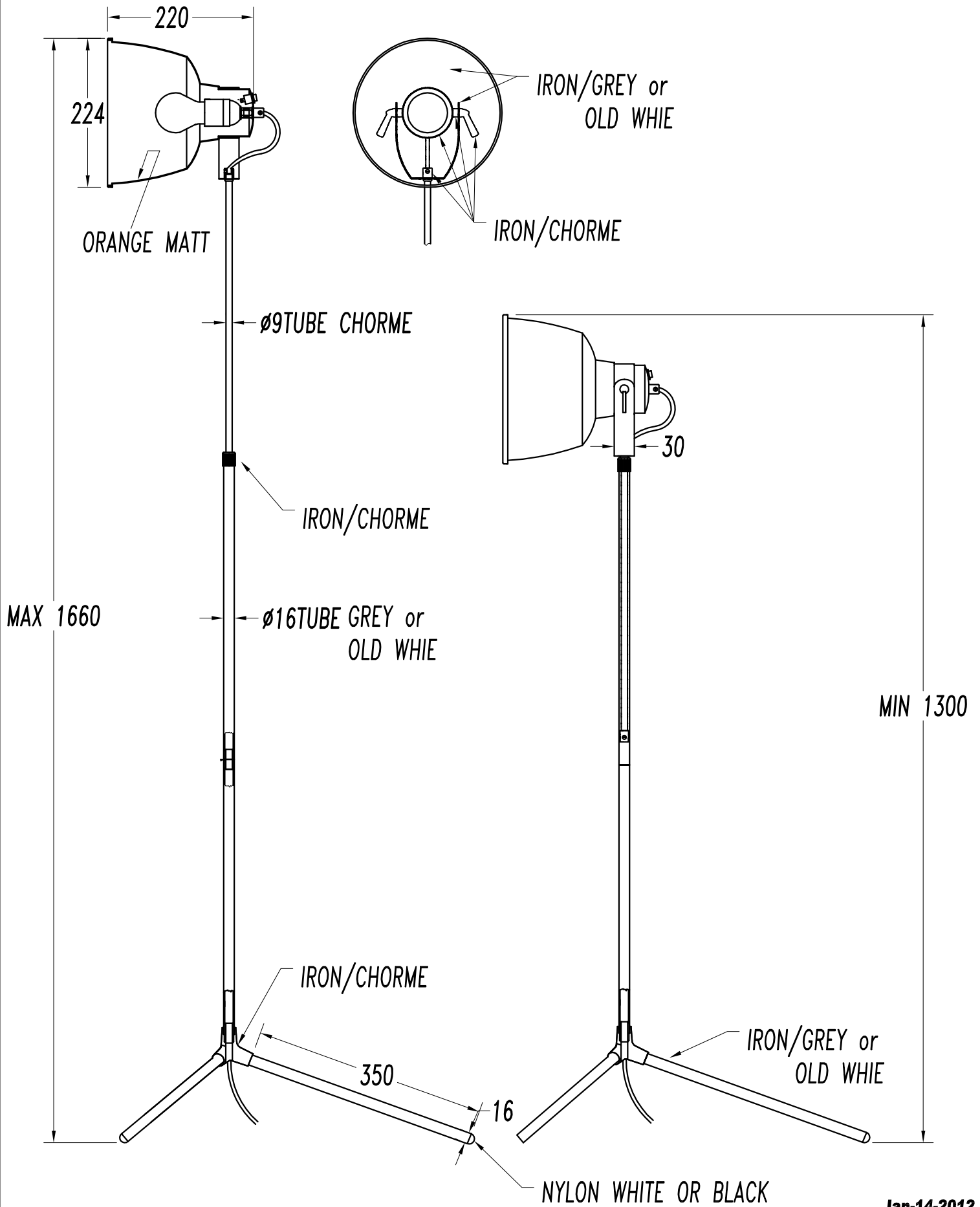
### MATERIALS / FINISHES

**Structure material:** Steel

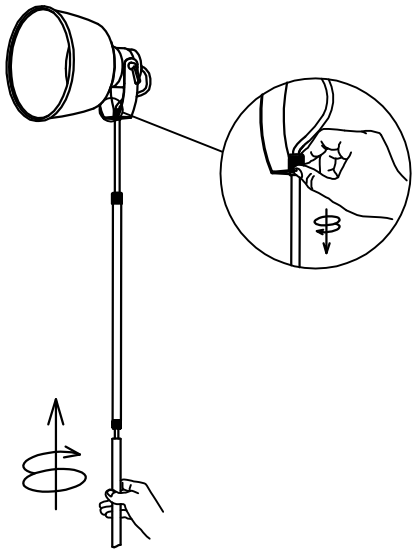
Red



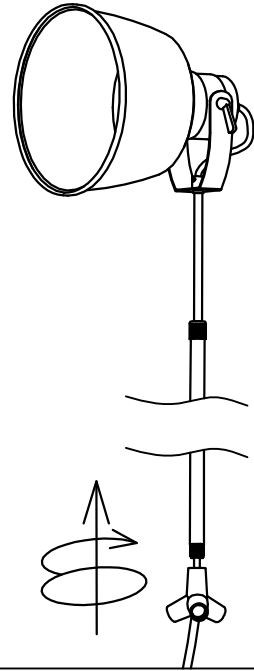
[Download photometric file .ldt / .ies](#)



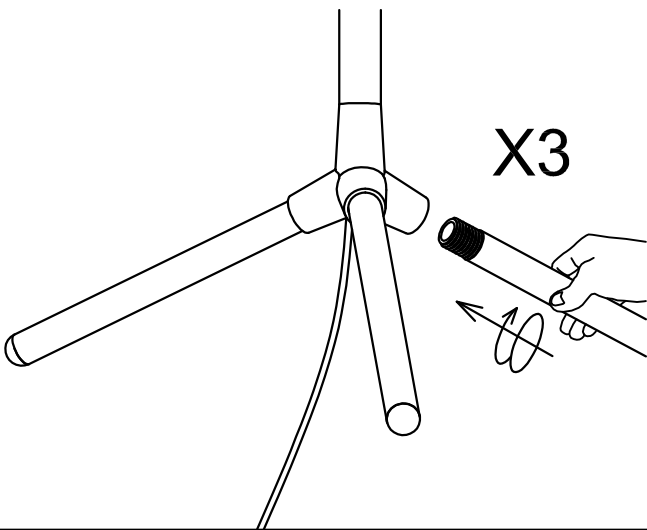
**1**



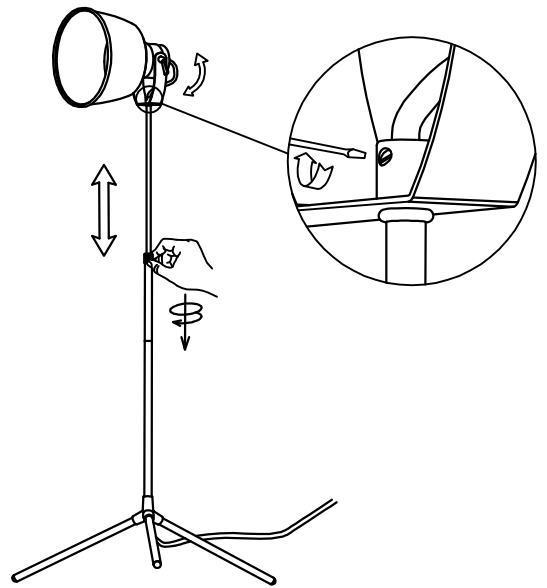
**2**



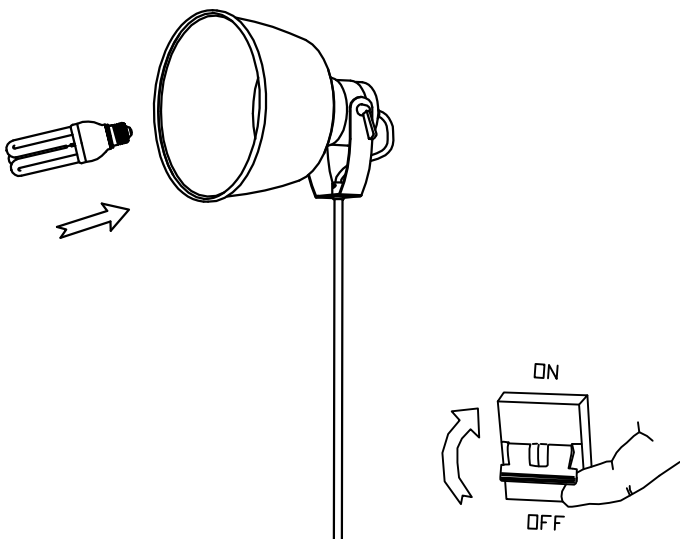
**3**



**4**



**5**



**6**

