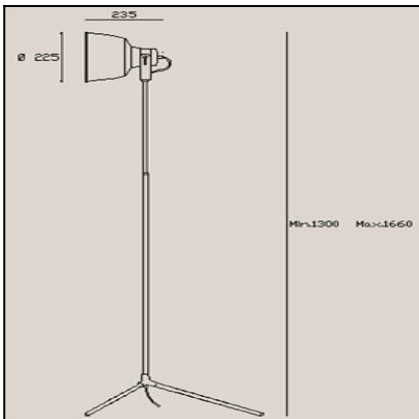


The photograph may not match the reference exactly. Please read the product description to identify the finish.



### TECHNICAL CHARACTERISTICS

Type:	Floor lamp
Adjustable $\pm 180^\circ$ on the vertical axis	
IP Protection degrees:	IP20
Lampholder:	1 x E27
Power (W):	E27 100W
Total power consumption (W):	180
Voltage / Frequency:	220-240V/50-60Hz
Warranty (Years):	2
Units per box:	2
Net Weight (Kg):	1.92
EAN:	8435111091135,00
Stability:	10°



### MATERIALS / FINISHES

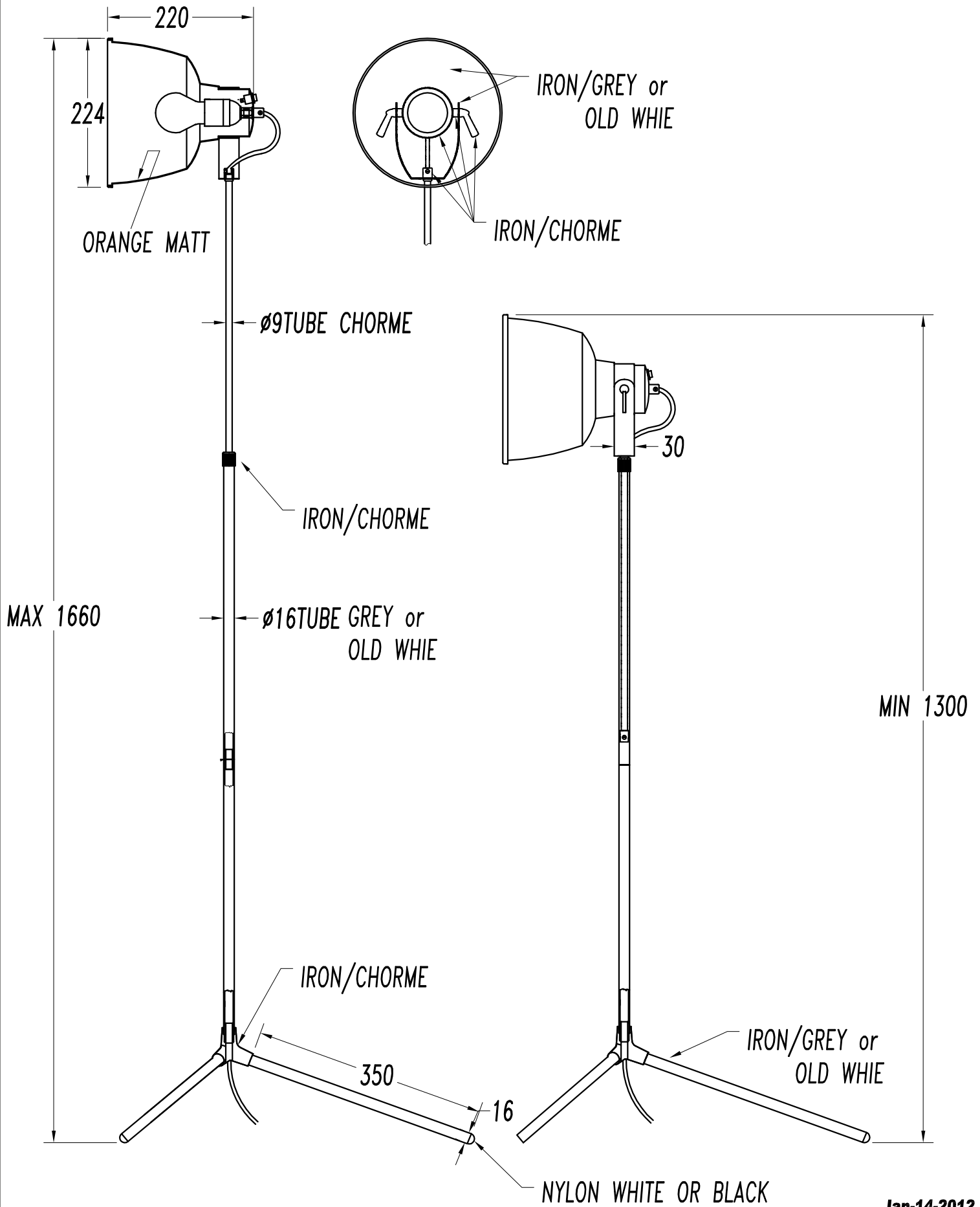
**Structure material:** Steel

**Structure finish:** Grey

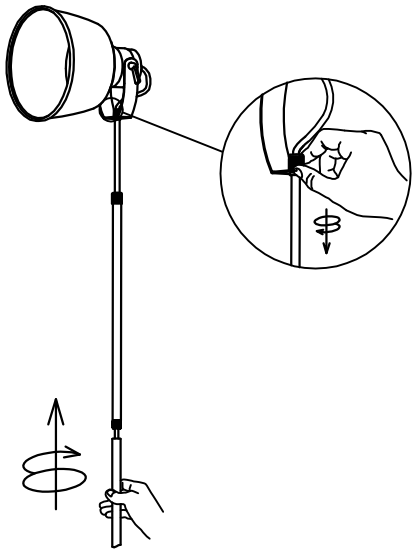
Download photometric file .ldt /.ies

Leds-c4 reserves the right to make the necessary technical changes they deem adequate, in order to improve the features of the product.  
Please consult the sales team to clarify any doubt.

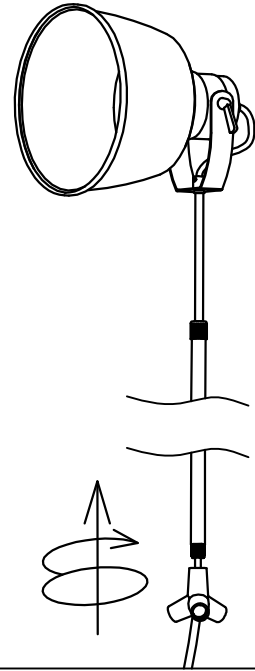
(+34) 973 468 100  
leds-c4@leds-c4.com  
www.leds-c4.com



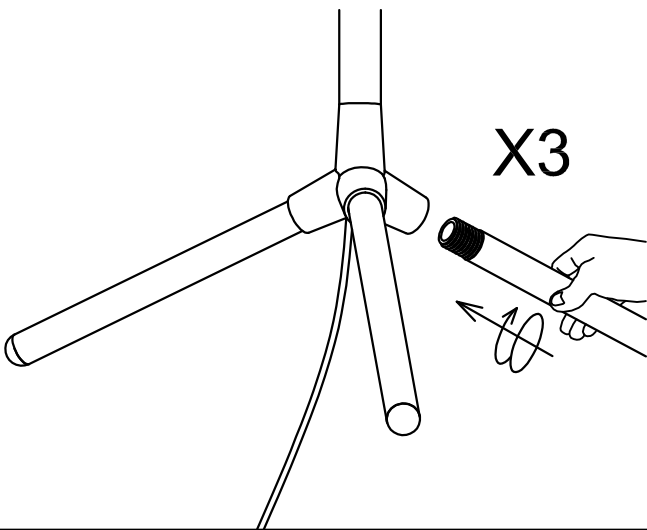
**1**



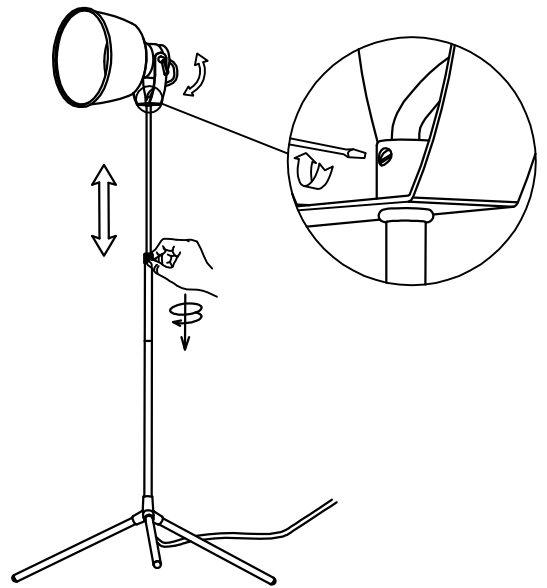
**2**



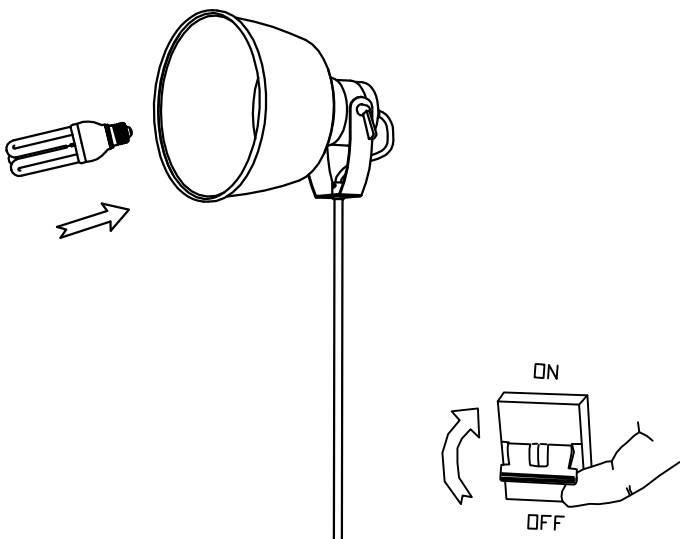
**3**



**4**



**5**



**6**

