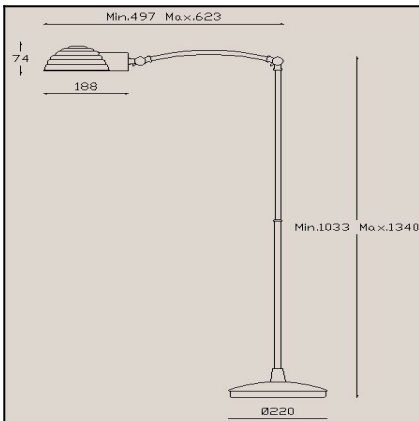


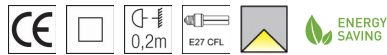
The photograph may not match the reference exactly. Please read the product description to identify the finish.



[Download photometric file .ldt /.ies](#)

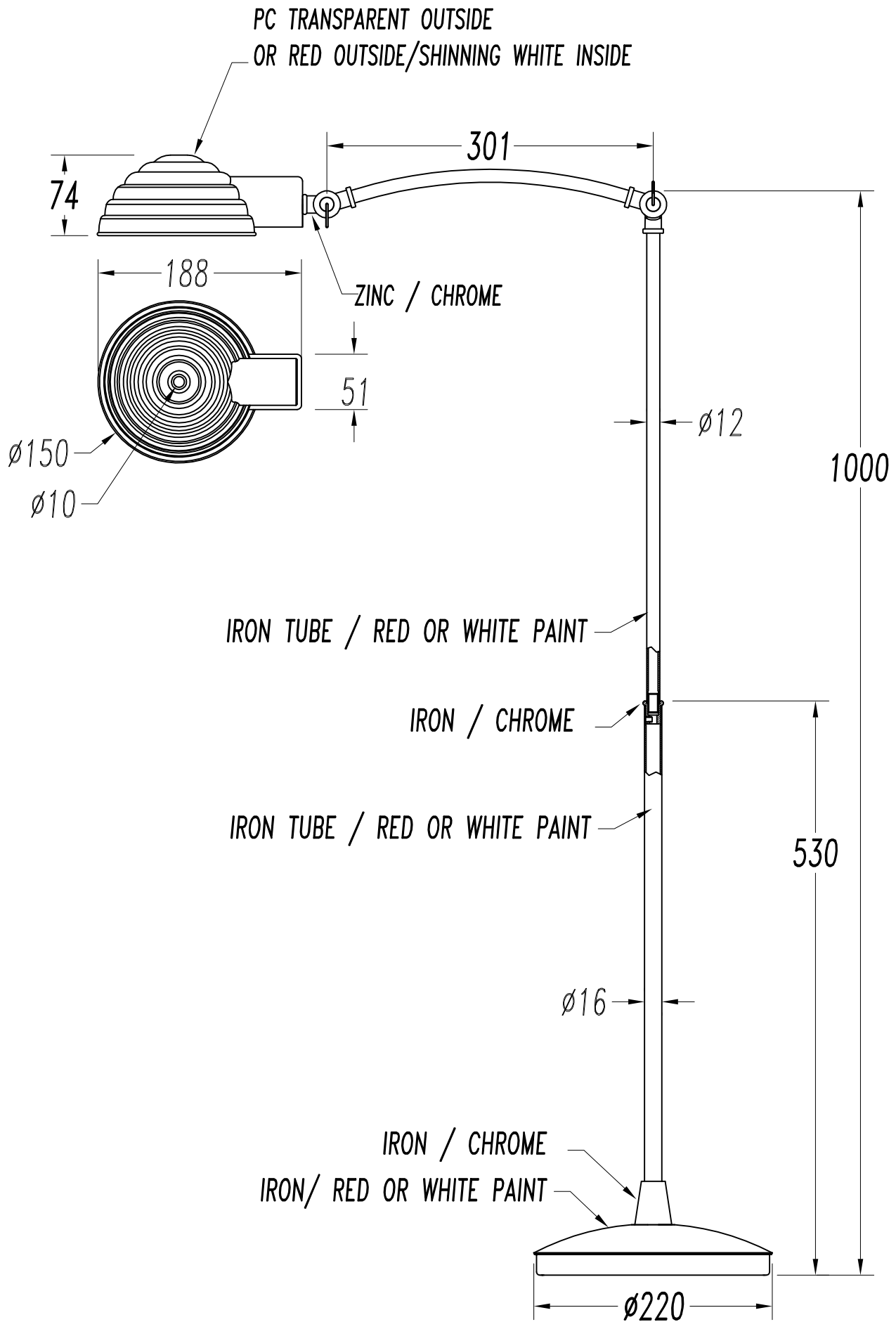
TECHNICAL CHARACTERISTICS

Type:	Floor lamp
Adjustable $\pm 180^\circ$ on the horizontal axis.	
IP Protection degrees:	IP20
Lampholder:	1 x E27
Power (W):	E27 MAX 18W
Voltage / Frequency:	220-240V/50-60Hz
Units per box:	4
Net Weight (Kg):	4.75
EAN:	8435111092170

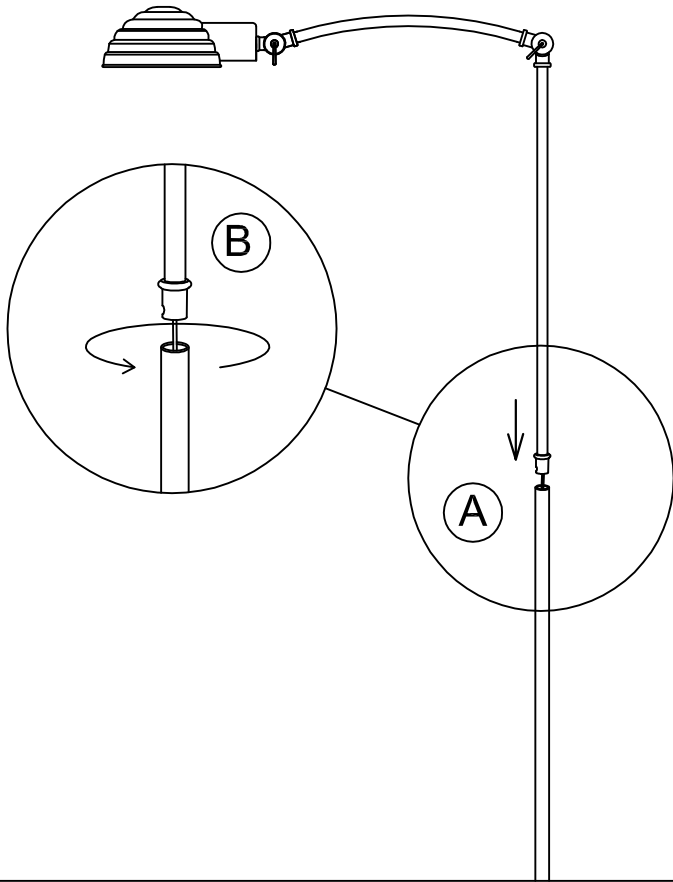


MATERIALS / FINISHES

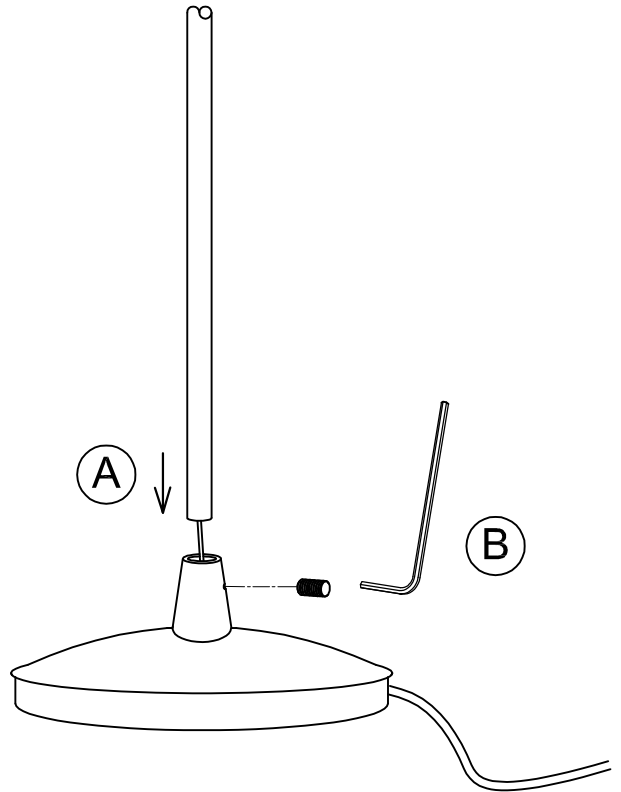
Structure material: Steel Aluminium	Diffuser material: Polycarbonate
Structure finish: Red Red	Diffuser finish: Red



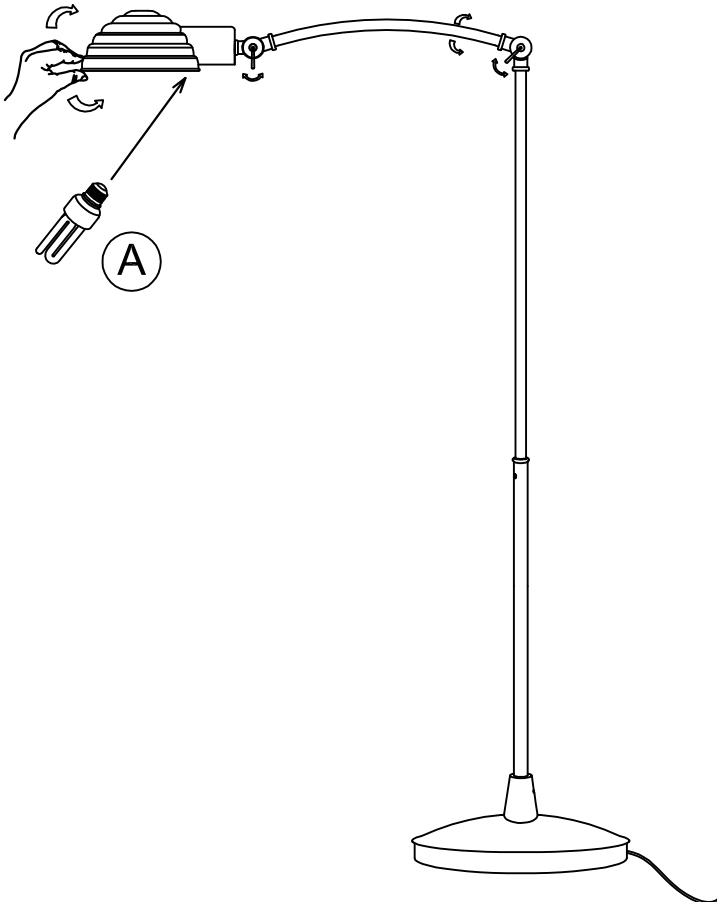
1



2



3



4

