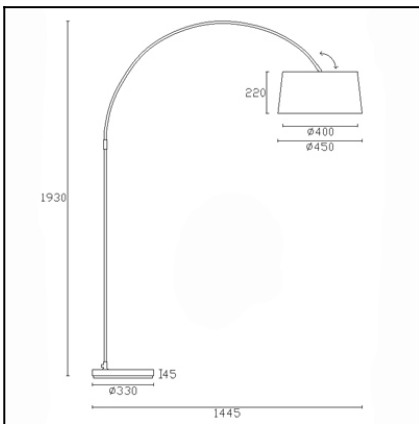




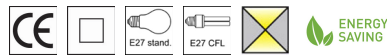
The photograph may not match the reference exactly. Please read the product description to identify the finish.



Download photometric file .ldt /.ies

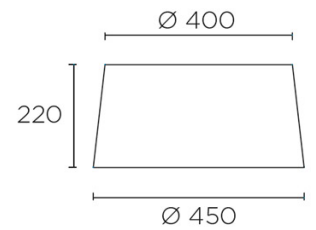
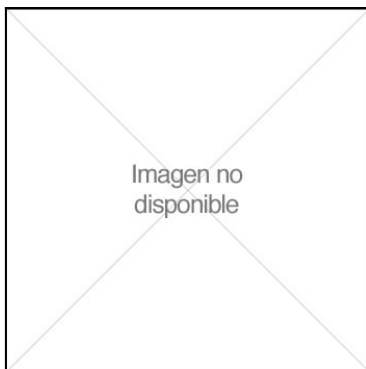
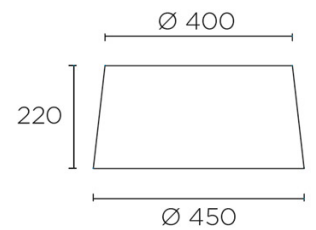
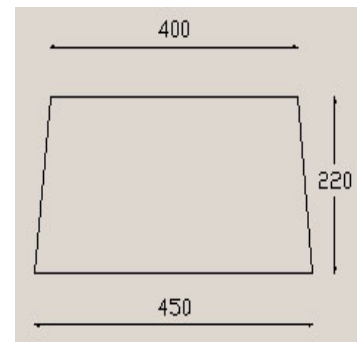
### TECHNICAL CHARACTERISTICS

Type:	Floor lamp
Adjustable $\pm 90^\circ$ on the horizontal axis.	
Lampholder:	1 x E27 1 x E27
Power (W):	E27 MAX 100W E27 MAX 30W
Voltage / Frequency:	220-240V/50-60Hz
Warranty (Years):	2
Units per box:	1
Net Weight (Kg):	12.43
EAN:	8435111097861,00

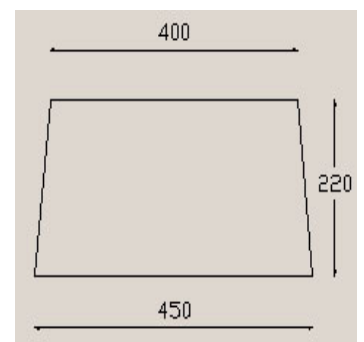


### MATERIALS / FINISHES

**Structure material:** Steel  
**Structure finish:** Chrome

**PAN-174-14****Structure material:** Steel**Diffuser material:** Fabric shade**Diffuser finish:** White**PAN-174-05****Structure material:** Steel**Diffuser material:** Fabric shade**Diffuser finish:** Black**PAN-164-14****Structure material:** Steel**Diffuser material:** Laminated cotton shade**Diffuser finish:** White

IP20

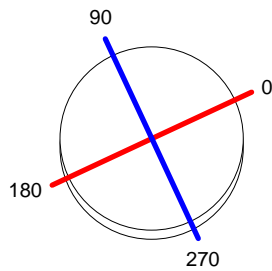
**PAN-164-05****Structure material:** Steel**Diffuser material:** Laminated cotton shade**Diffuser finish:** Black

IP20

Luminaire		Measur.		Lamp	
Code	25-0467-21-82+164-05	Code	25-0467-21-82+164-05	Code	STANDAR GOC 100W O
Name	Pie 100W A55 + PAN-164-05	Name	Pie 1x100W A55+PAN-164-05	Number	1
Line	- LEDS-C4	Date	25-11-2013	Position	Universal
Efficiency	56.11%	Coordinate system	CG	Total Flux	1340.00 lm
Maximum value	123.31 cd	Position	C=0.00 G=45.00	Double Symmetrical	
Round Luminaire	Diam.	450 mm	Height	220 mm	
Round Luminous Area	Diam.	450 mm	Height	220 mm	
Horizontal Luminous Area	0.159043 m2	Emitting area on Plane 180°	0.099000 m2		
Emitting area on Plane 0°	0.099000 m2	Emitting area on Plane 270°	0.099000 m2		
Emitting area on Plane 90°	0.099000 m2	Glare area at 76°	0.134535 m2		
Symmetry Type	Double Symmetrical	Maximum Gamma Angle	180		
Measurement Distance	6.44	Measurement Flux	1209.00 lm		
Operator	Asselum T2	Source voltage	230.00 V		
Temperature	20.00 °C	Source current	PRC		
Humidity	42.00 %	Photocell			
Notes					

Luminaire Lamps						
Line	Code	Name	Flux [lm]	Pow. [W]	Q.ty	
PHILIPS 2005 ILCOS IA,IB,IC	STANDAR GOC 100W O	STANDAR GOCCIA 100W E27 OPALE	1340.00	100.00	1	
C.I.E.	50 93 98 51 56	D DIN 5040	C31			
F UTE	0.29 E + 0.28 T	B NBN	BZ 4 / 1.25 / BZ 3			

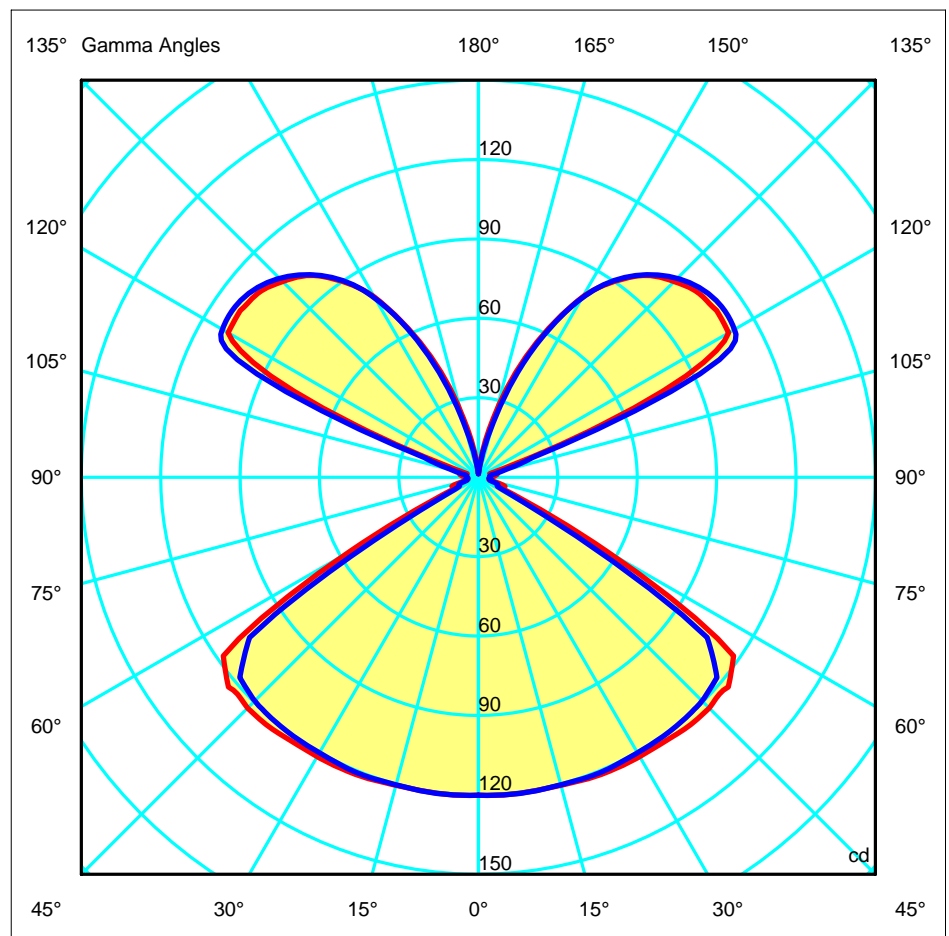
Diam=450mm

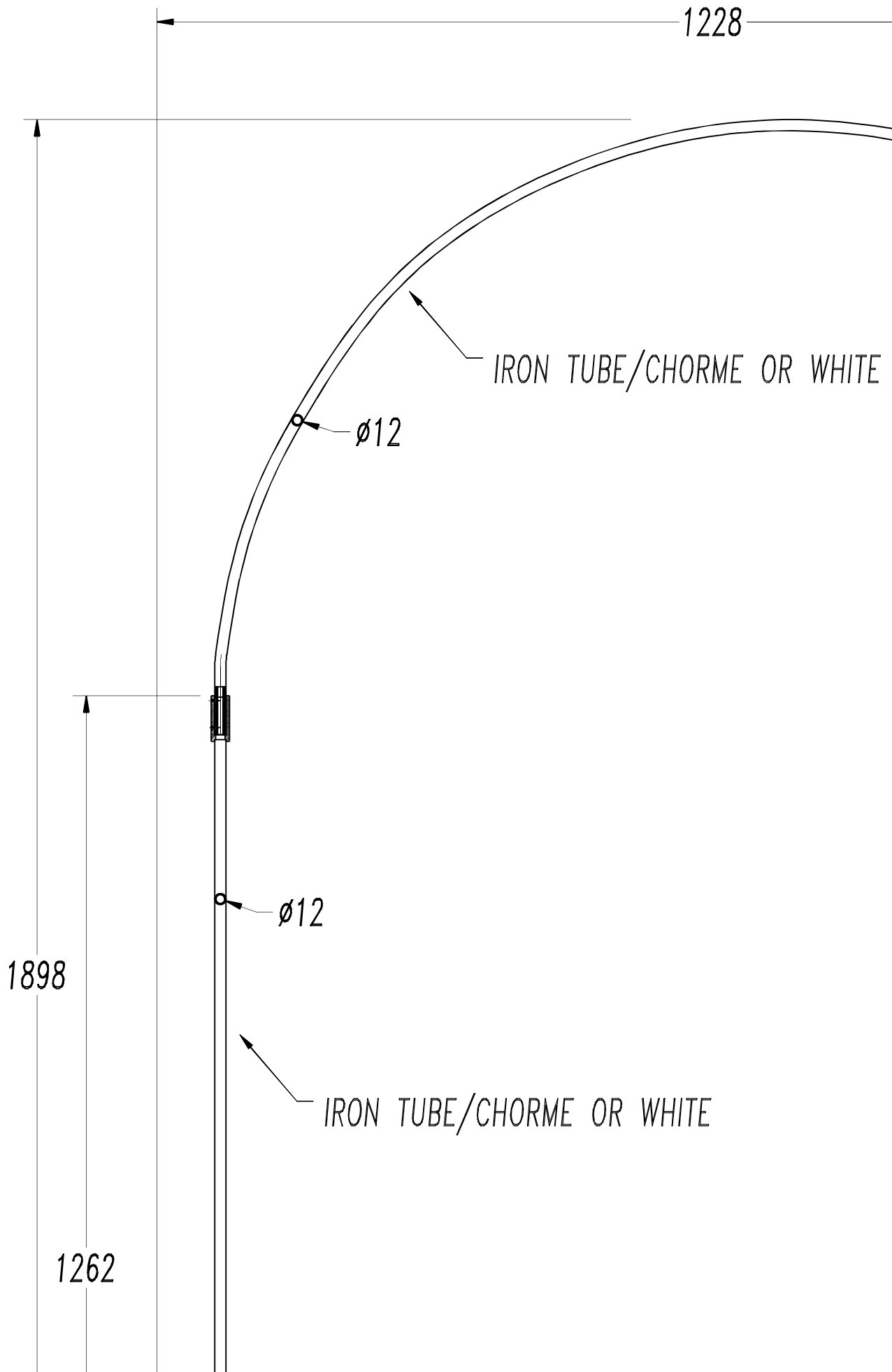


C Halfplanes

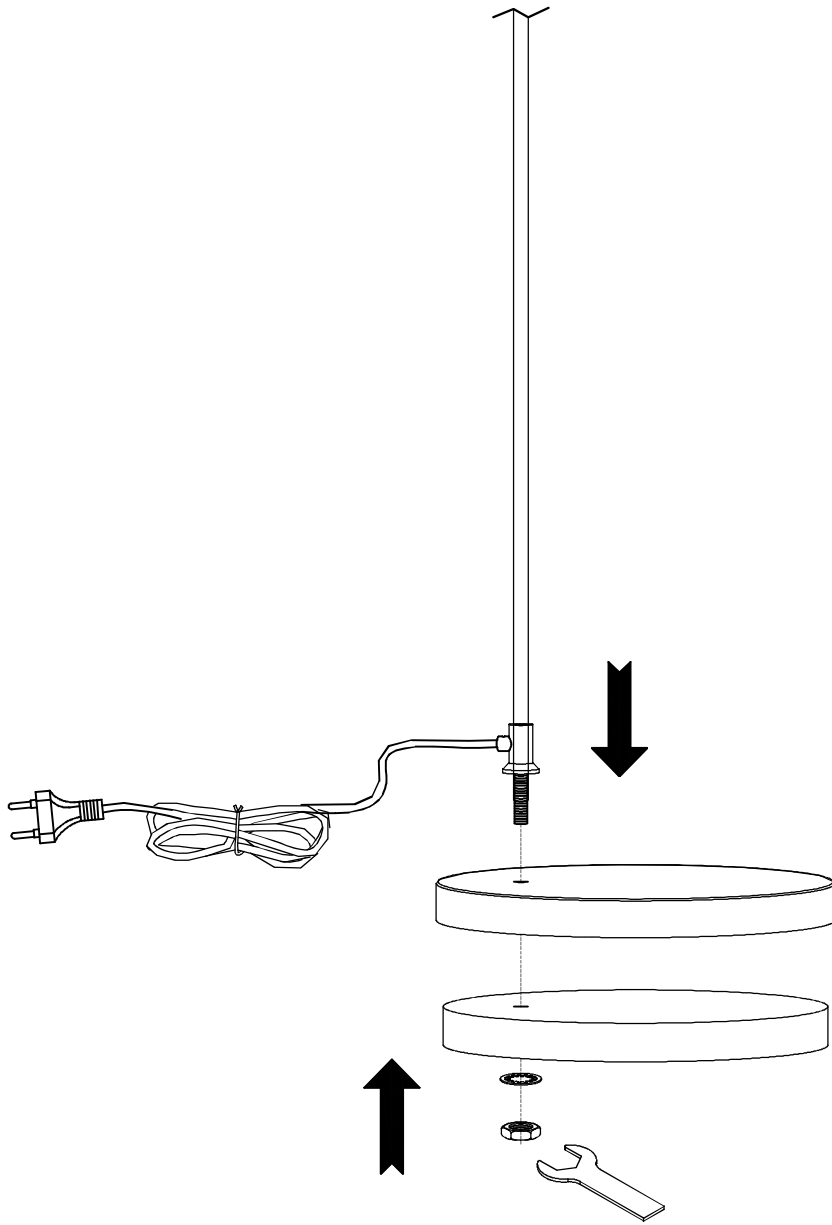
180.0 — 0.0  
270.0 — 90.0

ULOR 27.54 %  
DLOR 28.57 %  
RN 49.09 %

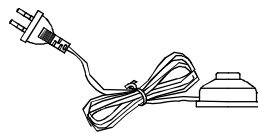
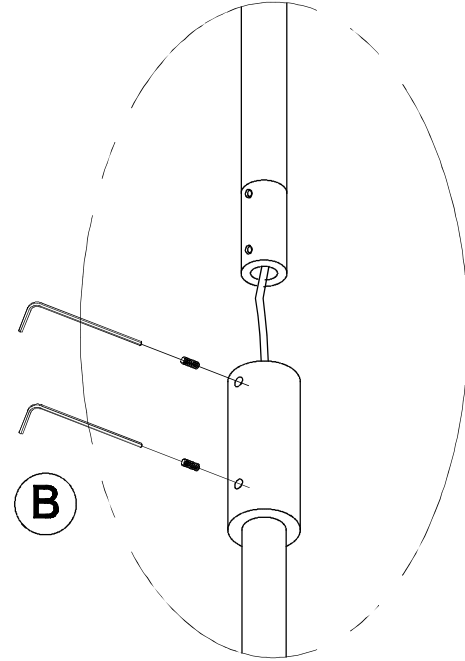




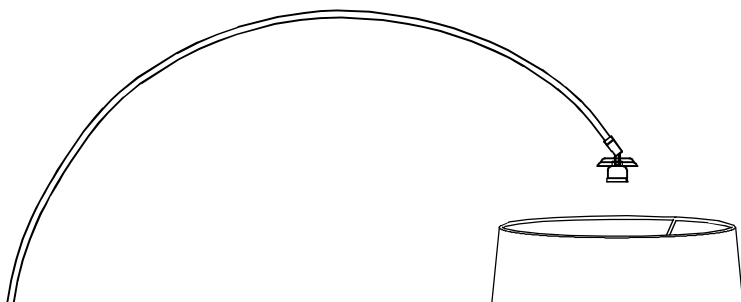
**1**



**2**



**3**



**4**

