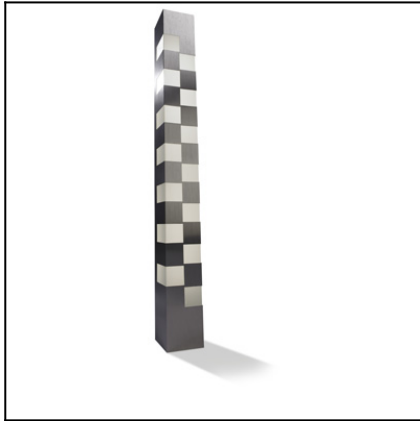
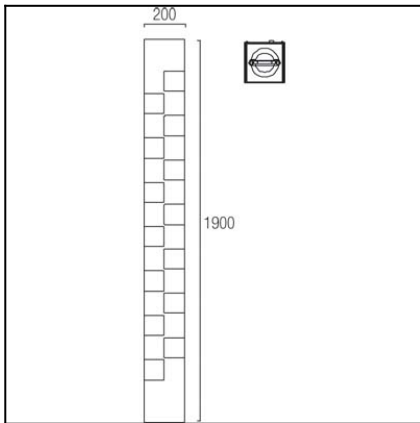


Design by Josep Patsí



The photograph may not match the reference exactly. Please read the product description to identify the finish.



TECHNICAL CHARACTERISTICS

Type:	Floor lamp
IP Protection degrees:	IP20
Lampholder:	1 x R7s 1 x T8
Power (W):	R7s MAX 300W T8 58W
Bulb included:	1 x R7s 230W 1 x T8 58W. Neutral white (5000 - 3700 K)
Voltage / Frequency:	220-240V/50-60Hz
Units per box:	1
Net Weight (Kg):	29.5
EAN:	8435111040799



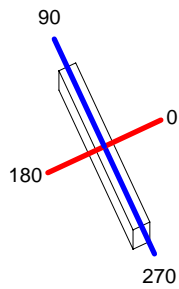
MATERIALS / FINISHES

Structure material:	Satin aluminium	Diffuser material:	Methacrylate
		Diffuser finish:	Opal

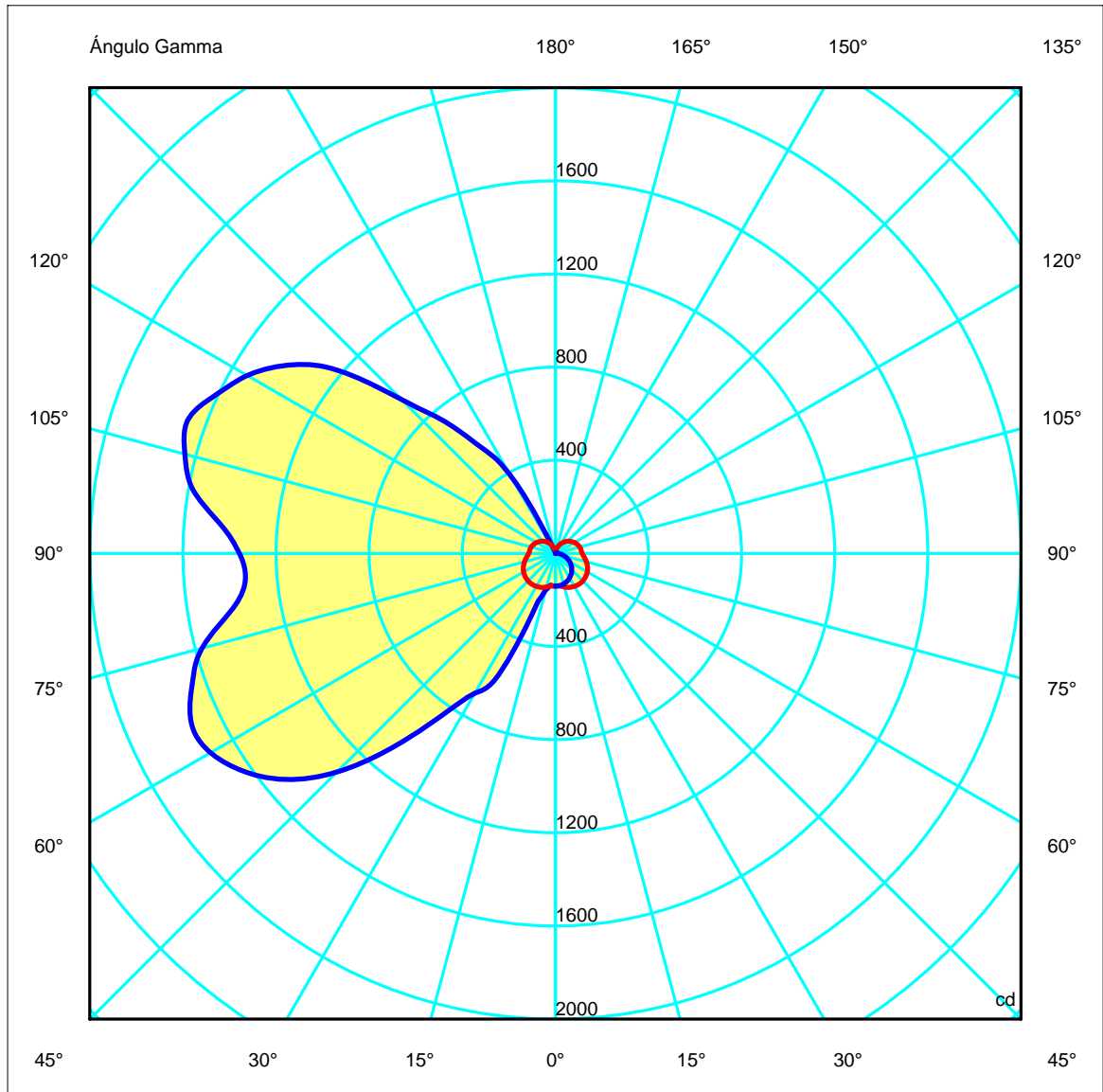
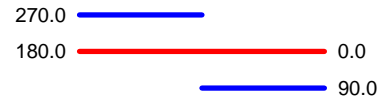
[Download photometric file .ldt / .ies](#)

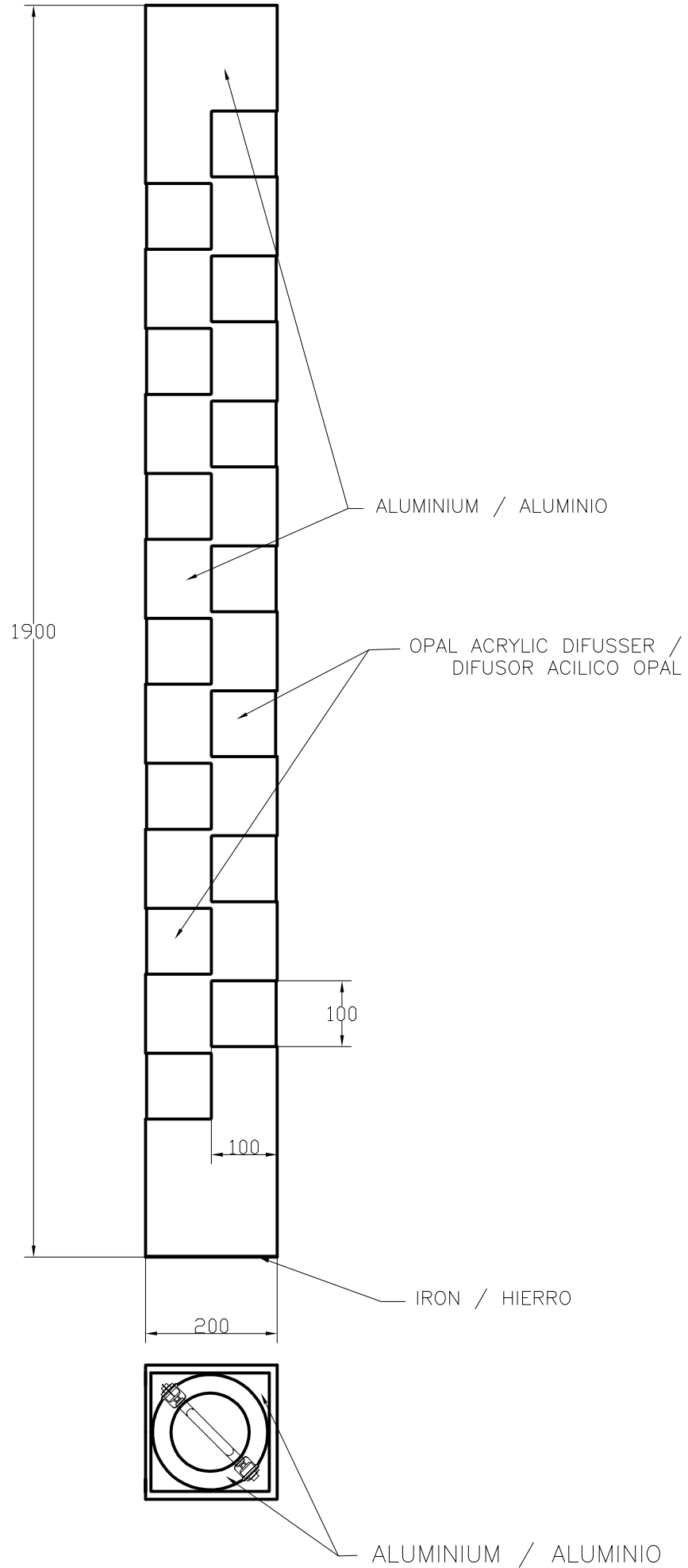
Luminaria		Ensayo		Lámpara	
Código	25-2384-AF-M1	Código	25-2384-AF-M1	Código	64701
Nombre	Pie TOTEM 300W R7s + 58W T8	Nombre	Pie TOTEM 300W R7s + 58W T8	Número	2
Familia	- LEDS-C4	Fecha	16-04-2010	Posición	Universal
Eficiencia	46.98%	Sist. de Coorden.	C-G	Flujo Total	9600.00 lm
Valor Máximo	1725.97 cd	Posición	C=270.00 G=65.00	Sim. en los planos	270-90

1900mm x 200mm

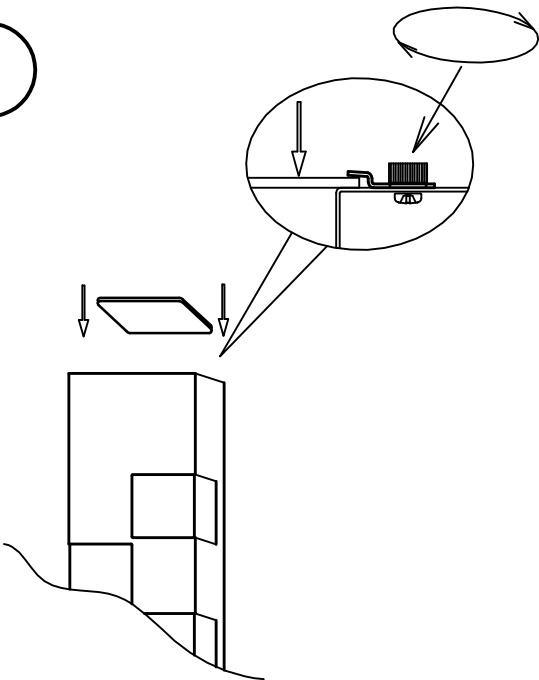


Semiplanos C

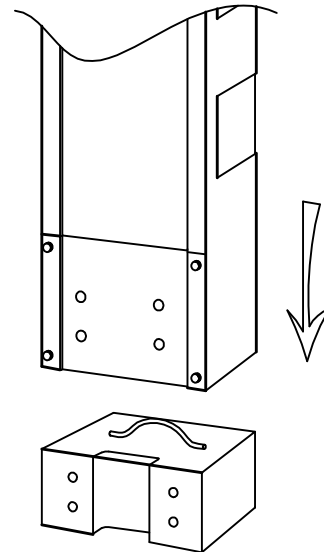




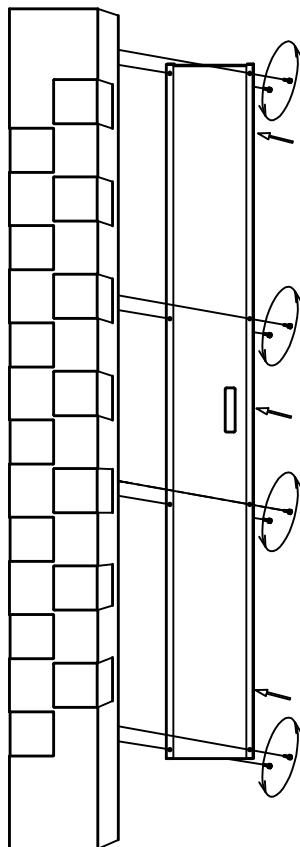
①



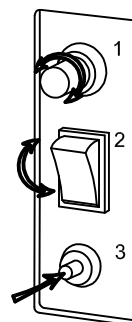
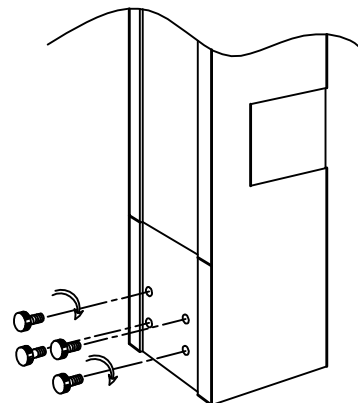
③



②



④



CONTROL PANEL

- 1 halogen bulb dimmer
- 2 fluorescent on/off
- 3 LED colour control
push button for 2 sec: on
push : colour sequence
push for 2 sec: off

PANNEAU DE CONTROLE

- 1 variateur ampoule halogène
- 2 fluorescent on/off
- 3 controle des couleurs LED
maintenir le bouton
enfoncé 2 sec: on
pousser bouton:
séquence du couleur
mentenir le bouton
enfoncé 2 sec: off

BEDIENFELD

- 1 Halogen Leuchtmittel Dimmer
- 2 fluoreszent an/aus
- 3 LED Farbkontrol
Knopf 2 Sekunde drücken : an
jeder Druck : Farbwechsel
Knopf 2 Sekunde drücken : aus

PANEL DE CONTROL

- 1 regulador de la bombilla halógena
- 2 fluorescente on/off
- 3 Control de color LED
presionar 2 segundos : on
pulsar : secuencia de color
presionar 2 segundos : off