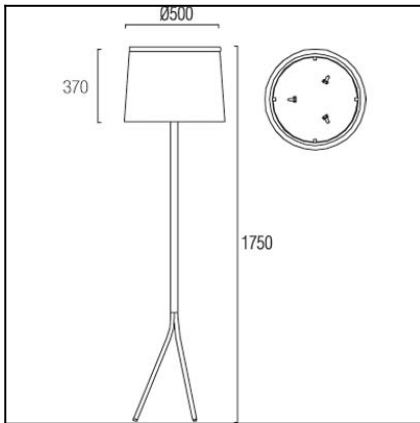


Design by Benedito Design



The photograph may not match the reference exactly. Please read the product description to identify the finish.



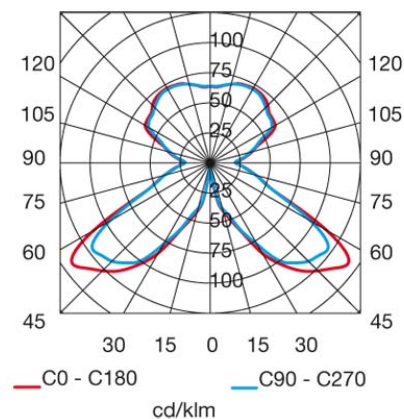
TECHNICAL CHARACTERISTICS

Type:	Floor lamp
IP Protection degrees:	IP20
Lampholder:	3 x G9 3 x E27
Power (W):	G9 MAX 40W E27 MAX 23W
Bulb included:	3 x G9 40W 3 x E27
Voltage / Frequency:	230V/50-60Hz
Units per box:	1
Net Weight (Kg):	5.945
EAN:	8435111043523



MATERIALS / FINISHES

Structure material: Steel Satin aluminium	Diffuser material: Fabric shade
Structure finish: Chrome	Diffuser finish: Black

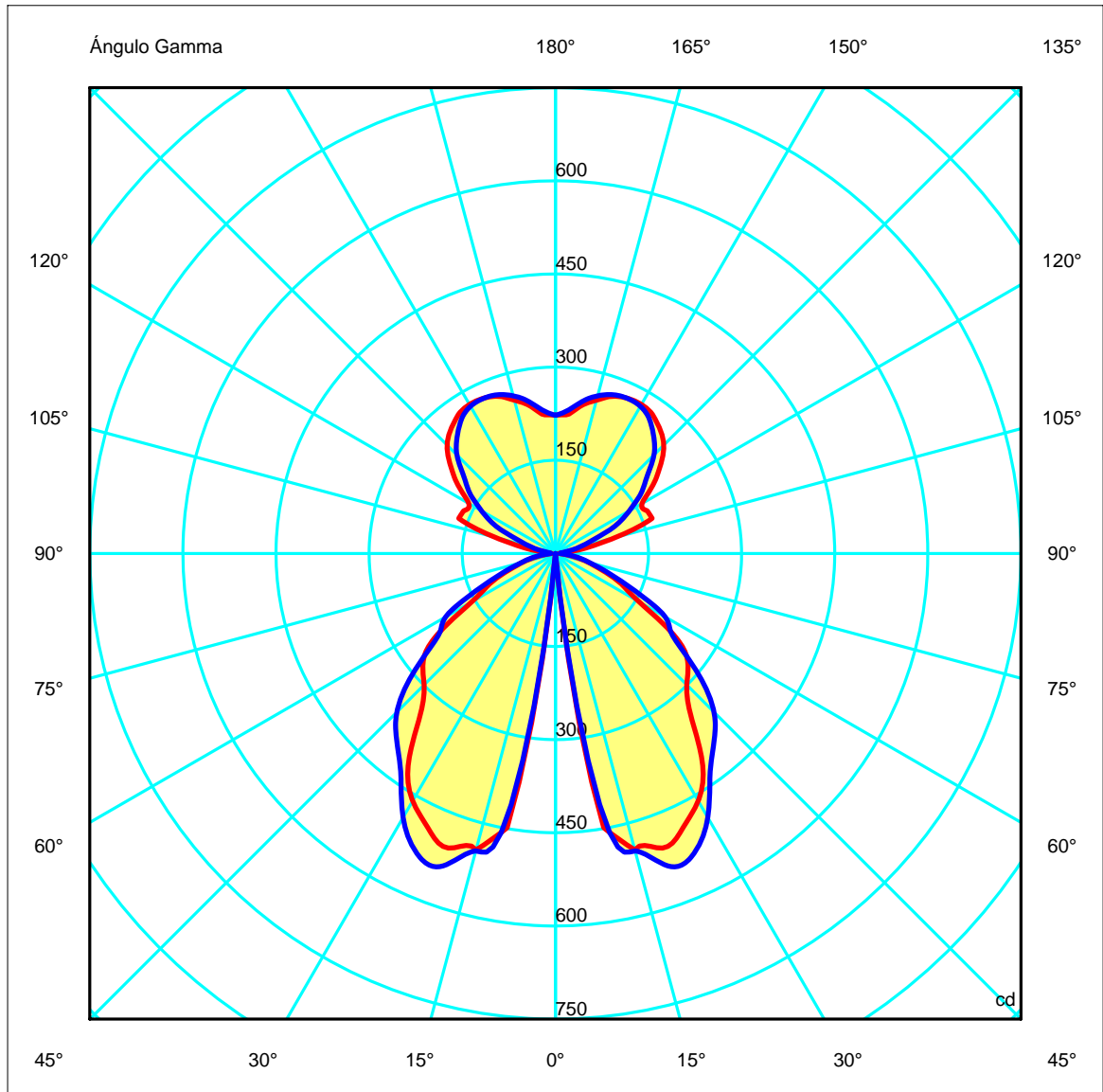
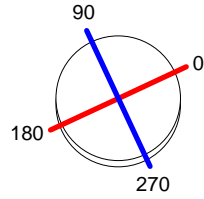


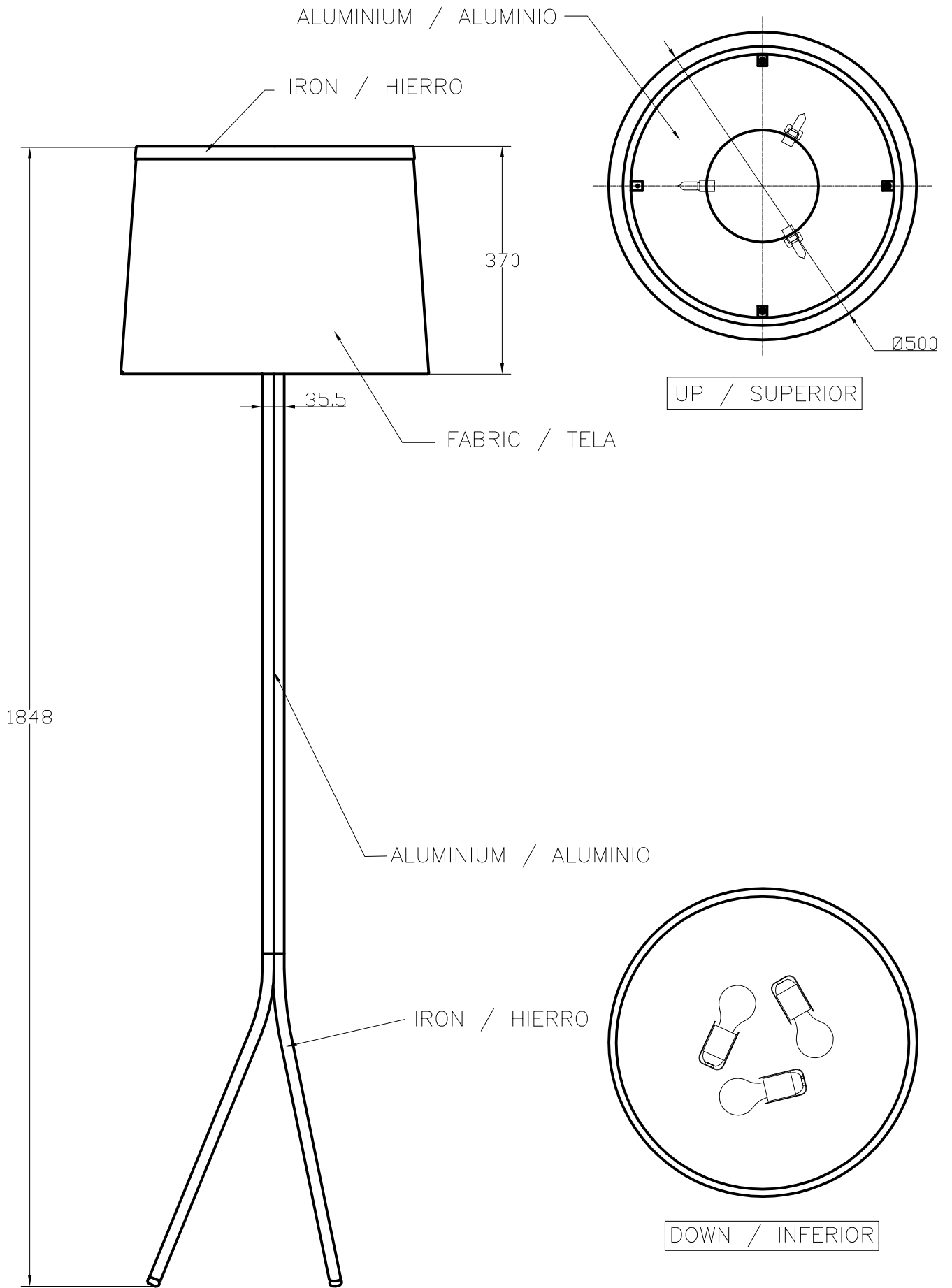
Download photometric file .ldt / .ies

Luminaria		Ensayo		Lámpara	
Código	25-2407-AG-05	Código	25-2407-AG-05	Código	PL ELECT pro23W/827
Nombre	Pie LEILA 3x23W+3x40W GP negra	NombrePie	LEILA 3x23W E27+ 3x40W G9	Número	6
Familia	- LEDS-C4	Fecha	27-09-2010	Posición	Universal
Eficiencia	38.78%	Sist. de Coorden.	C-G	Flujo Total	5880.00 lm
Valor Máximo	541.98 cd	Posición	C=30.00 G=20.00	Bisimétrico	

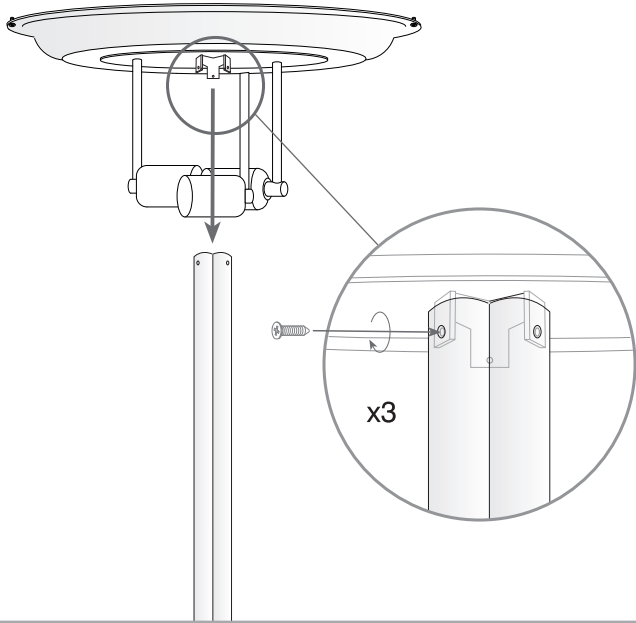
Diam=500mm

Semiplanos C

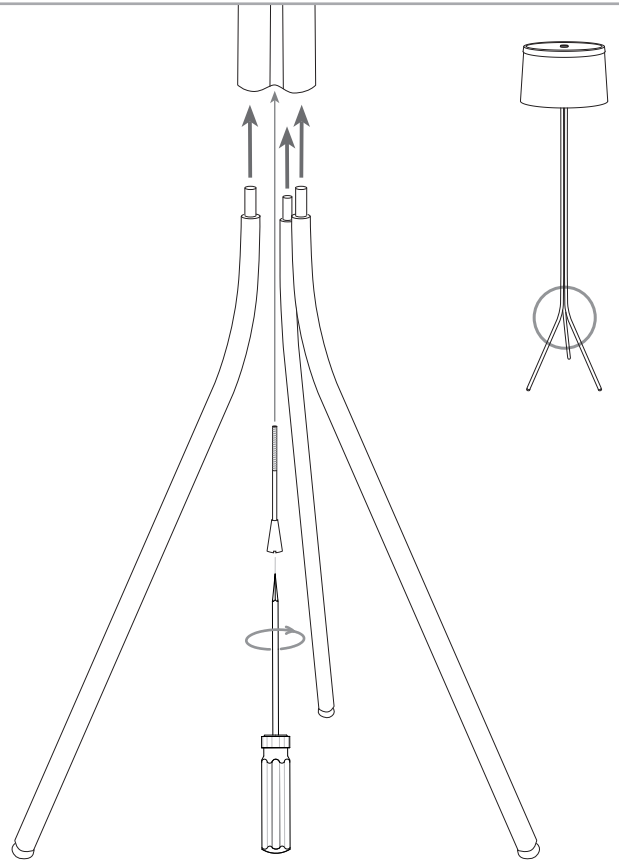




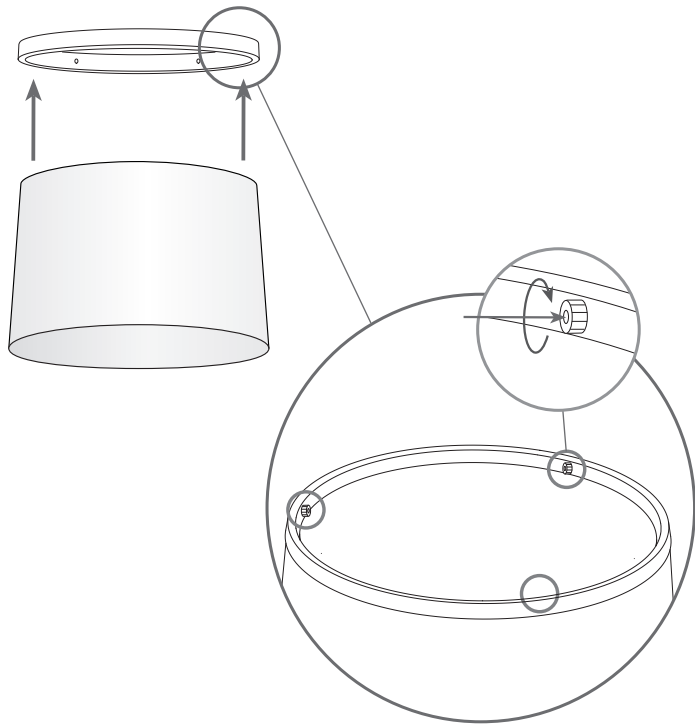
1



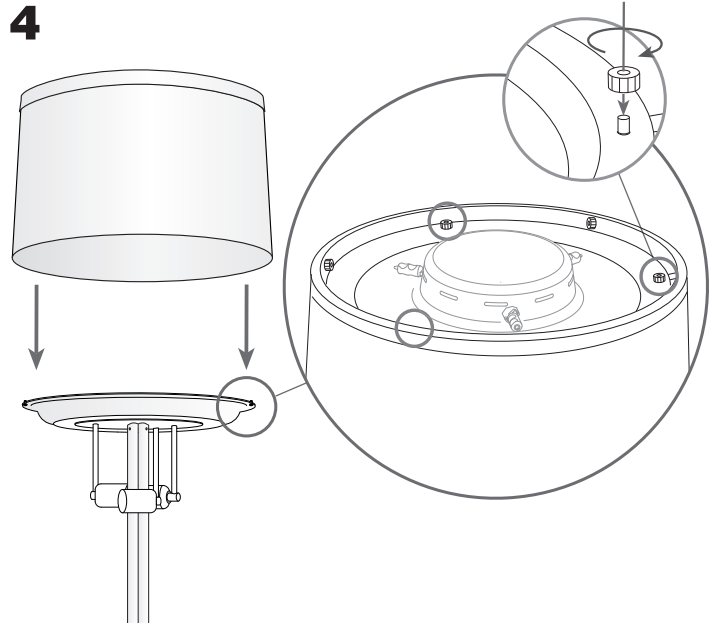
2



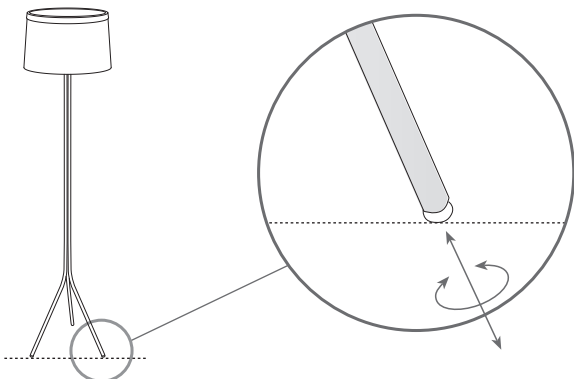
3



4



5



6

