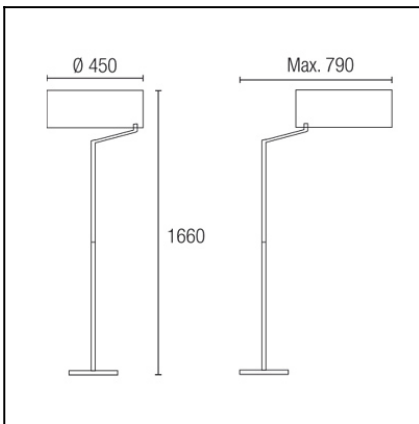


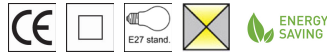


The photograph may not match the reference exactly. Please read the product description to identify the finish.



TECHNICAL CHARACTERISTICS

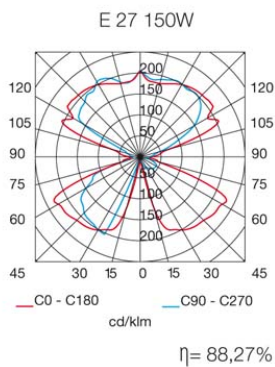
| | |
|------------------------------|------------------|
| Type: | Floor lamp |
| IP Protection degrees: | IP20 |
| Lampholder: | 1 x E27 |
| Power (W): | E27 MAX 150W |
| Total power consumption (W): | 150 |
| Voltage / Frequency: | 220-240V/50-60Hz |
| Units per box: | 1 |
| Net Weight (Kg): | 7.48 |
| EAN: | 8435111066485 |



MATERIALS / FINISHES

Structure material: Steel
Structure finish: Satin nickel

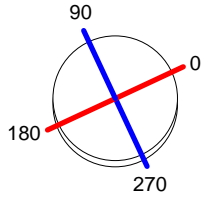
Diffuser material: Fabric shade
Diffuser finish: White



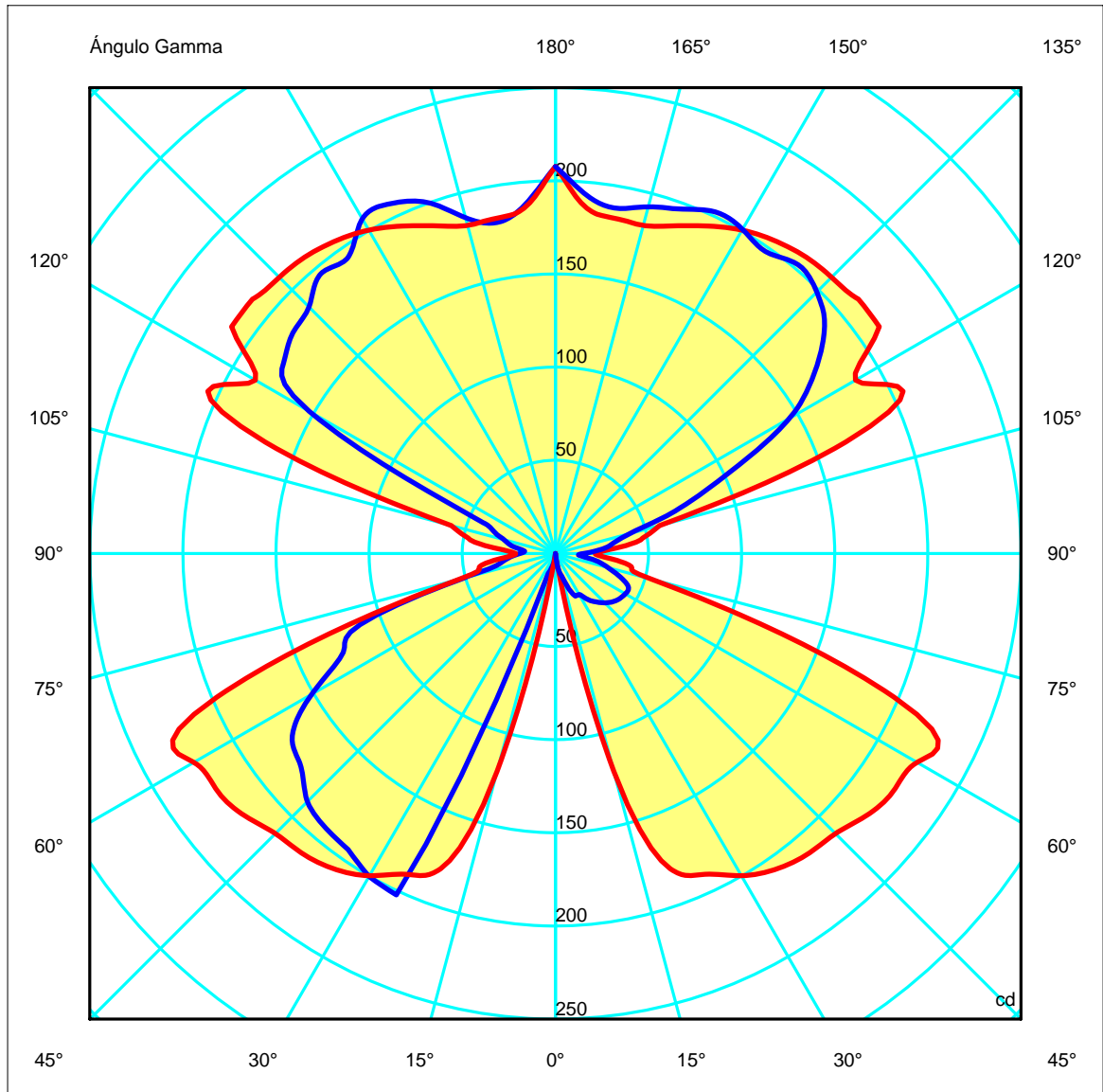
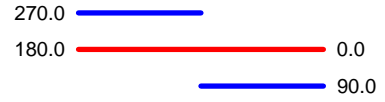
Download photometric file .ldt /.ies

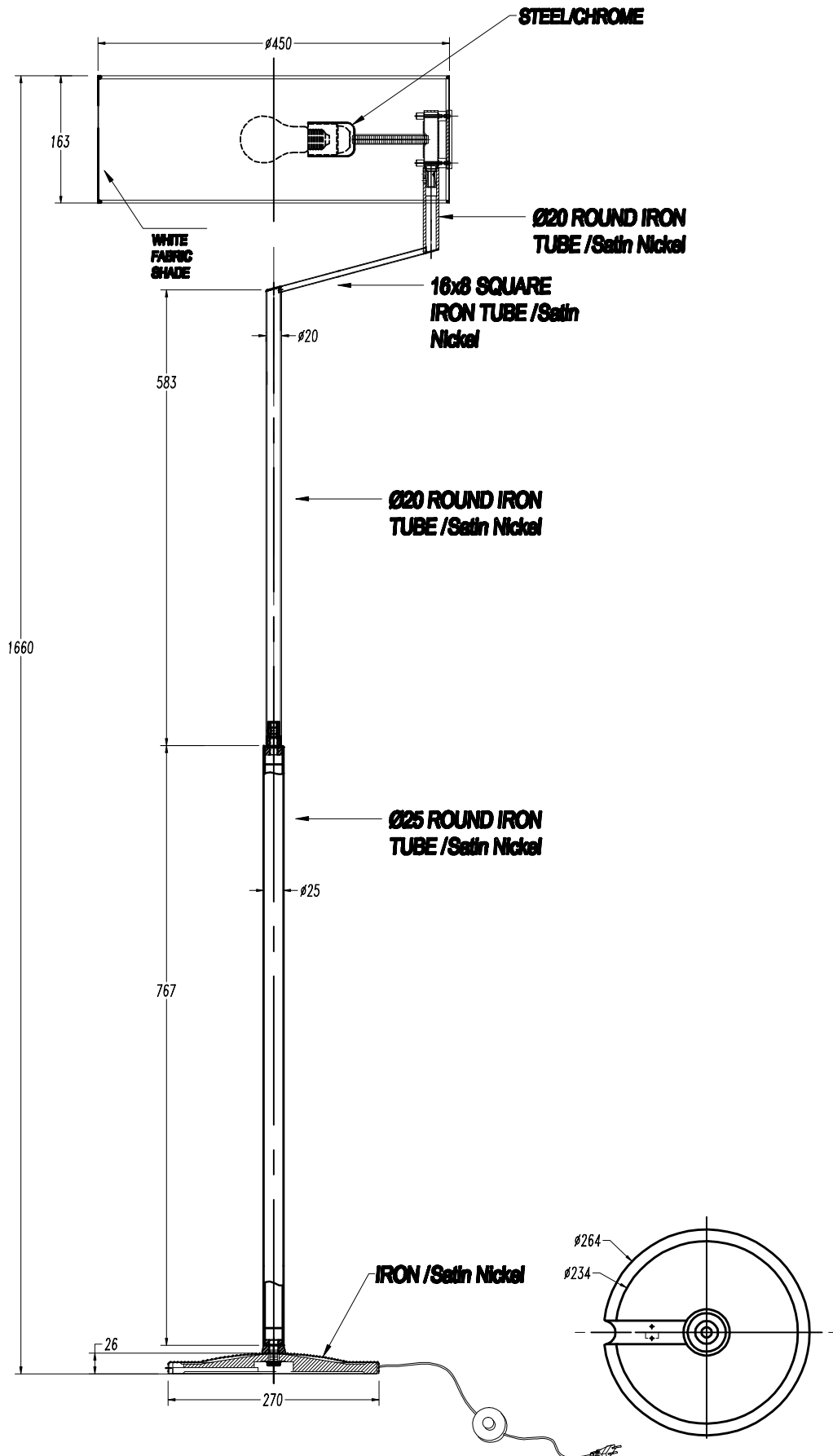
| | | | | | |
|------------------|--------------------------------|-------------------|--------------------------------|--------------------|------------------|
| Luminaria | | Ensayo | | Lámpara | |
| Código | 25-2817-81-14 | Código | 25-2817-81-14 | Código | KRIPTON 150W E27 |
| Nombre | Pie TWIST 150W E27 tela blanca | NombrePie | Pie TWIST 150W E27 tela blanca | Número | 1 |
| Familia | - LEDS-C4 | Fecha | 29-07-2010 | Posición | Universal |
| Eficiencia | 88.27% | Sist. de Coorden. | C-G | Flujo Total | 1940.00 lm |
| Valor Máximo | 231.40 cd | Posición | C=15.00 G=65.00 | Sim. en los planos | 270-90 |

Diam=450mm

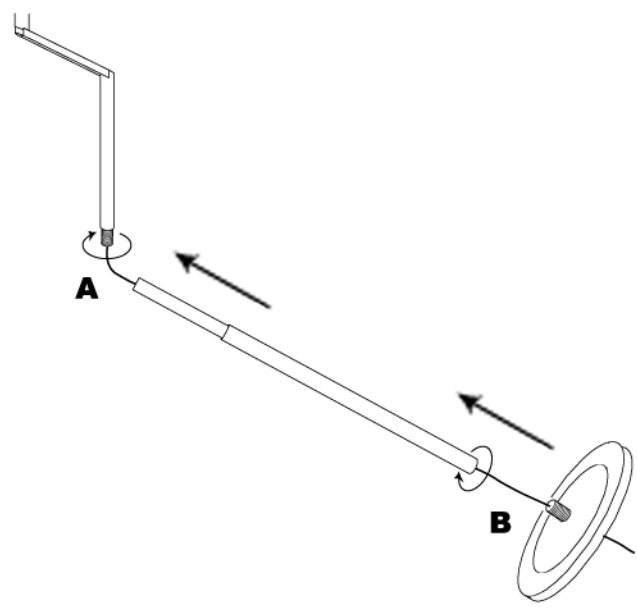


Semiplanos C





1



3

