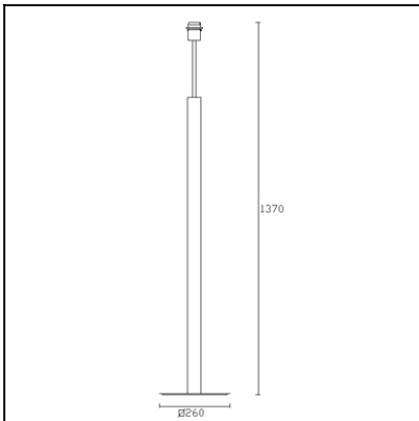




The photograph may not match the reference exactly. Please read the product description to identify the finish.



Download photometric file .ldt /.ies

TECHNICAL CHARACTERISTICS

| | |
|------------------------------|------------------|
| Type: | Floor lamp |
| IP Protection degrees: | IP20 |
| Lampholder: | 1 x E27 |
| Power (W): | E27 MAX 150W |
| Total power consumption (W): | 150 |
| Voltage / Frequency: | 220-240V/50-60Hz |
| Units per box: | 1 |
| Net Weight (Kg): | 4.66 |
| EAN: | 8435381401238 |



MATERIALS / FINISHES

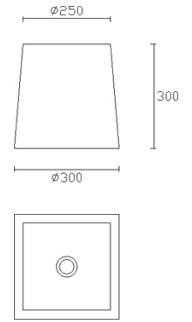
Structure material: Steel
Wenge-colored finish

Structure finish: Chrome

PAN-181-14


Structure material: Steel
Structure finish: White

Diffuser material: Fabric shade
Diffuser finish: White

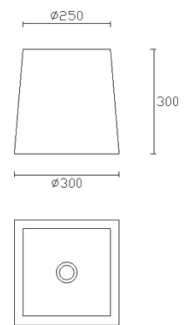


IP20

PAN-181-BY


Structure material: Steel
Structure finish: White

Diffuser material: Fabric shade
Diffuser finish: Sandblasted

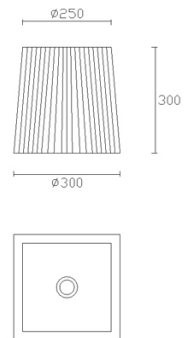


IP20

PAN-189-20


Structure material: Steel
Structure finish: White

Diffuser material: Fabric shade
Diffuser finish: Beige

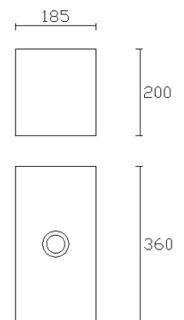


IP20

PAN-182-BY


Structure material: Steel
Structure finish: White

Diffuser material: Fabric shade
Diffuser finish: Sandblasted

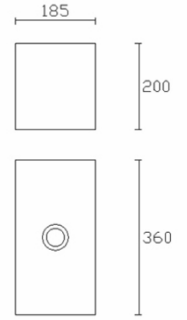


IP20

PAN-182-14



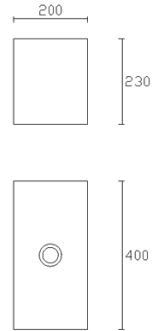
Structure material: Steel
Structure finish: White
Diffuser material: Fabric shade
Diffuser finish: White



PAN-183-BY

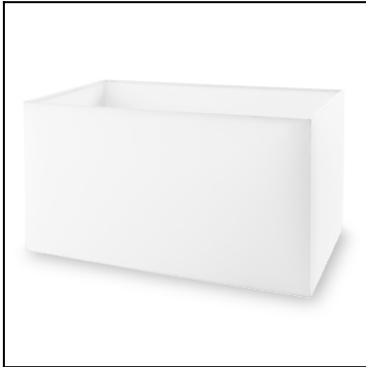


Structure material: Steel
Structure finish: White
Diffuser material: Fabric shade
Diffuser finish: Sandblasted

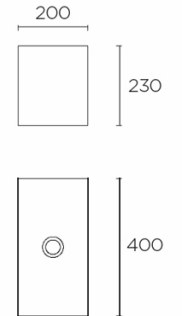


IP20

PAN-183-14



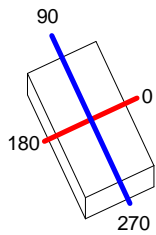
Structure material: Steel
Structure finish: White
Diffuser material: Fabric shade
Diffuser finish: White



| | | | | | | |
|----------------------------|---------------------------|-----------------------------|---------------------------|--------------|---------------------|---------|
| Luminaire | | Measur. | | Lamp | | |
| Code | 25-2825-21-82 | Code | 25-2825-21-82 | Code | PL ELECT pro23W/827 | |
| Name | Pie DEVON 23W PL E27 tela | Name | Pie DEVON 23W PL E27 tela | Number | 1 | |
| Line | Eulumdat | Date | 27-09-2010 | Position | | |
| Efficiency | 84.81% | Coordinate system | CG | Total Flux | 1500.00 lm | |
| Maximum value | 189.78 cd | Position | C=60.00 G=135.00 | Asymmetrical | | |
| Rectangular Luminaire | Length | 470 mm | Width | 260 mm | Height | 1560 mm |
| Rectangular Luminous Area | Length | 470 mm | Width | 260 mm | Height | 260 mm |
| Horizontal Luminous Area | 0.122200 m2 | Emitting area on Plane 180° | | 0.122200 m2 | | |
| Emitting area on Plane 0° | 0.122200 m2 | Emitting area on Plane 270° | | 0.067600 m2 | | |
| Emitting area on Plane 90° | 0.067600 m2 | Glare area at 76° | | 0.148133 m2 | | |
| Symmetry Type | Asymmetrical | Maximum Gamma Angle | | 180 | | |
| Measurement Distance | 0.00 | Measurement Flux | | 1500.00 lm | | |
| Operator | Asselum | Source voltage | | | | |
| Temperature | 25.00 °C | Source current | | | | |
| Humidity | 60.00 % | Photocell | | | | |
| Notes | | | | | | |

| Luminaire Lamps | | | | | |
|-----------------|---------------------|-------------------------------|-------------------|----------|------|
| Line | Code | Name | Flux [lm] | Pow. [W] | Q.ty |
| Eulumdat | PL ELECT pro23W/827 | PL ELECT pro23W/827 - 23.00 W | 1500.00 | 23.00 | 1 |
| C.I.E. | 30 66 86 45 85 | D DIN 5040 | C12 | | |
| F UTE | 0.38 H + 0.46 T | B NBN | BZ 7 / 0.8 / BZ 6 | | |

470mm x 260mm



C Halfplanes

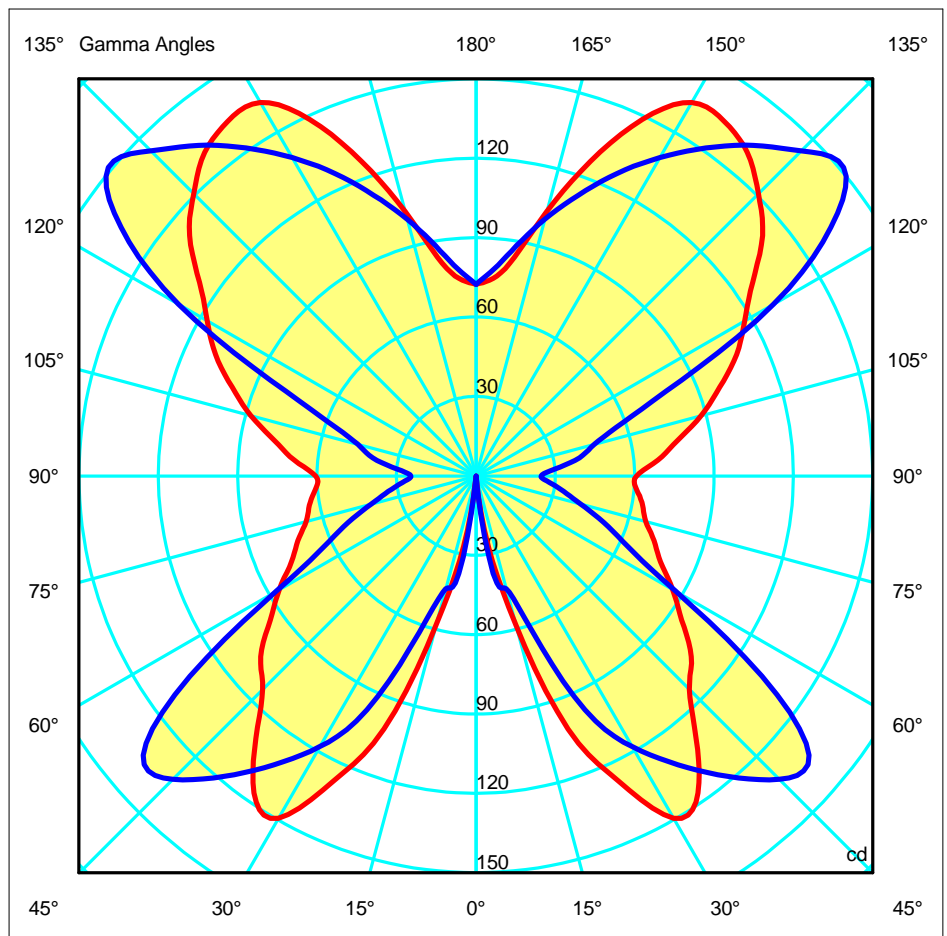
180.0 — 0.0 (Red line)

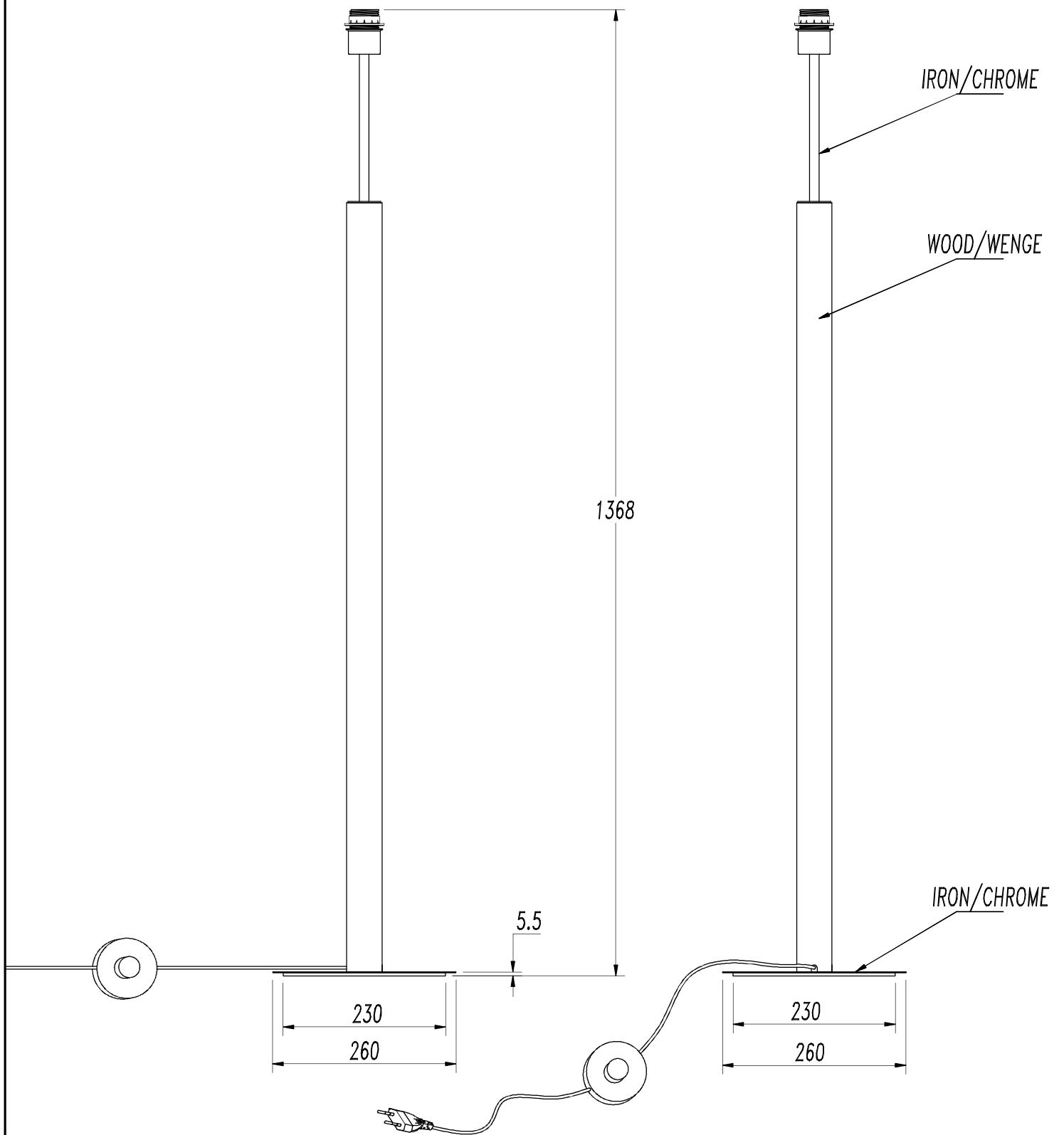
270.0 — 90.0 (Blue line)

ULOR 46.48 %

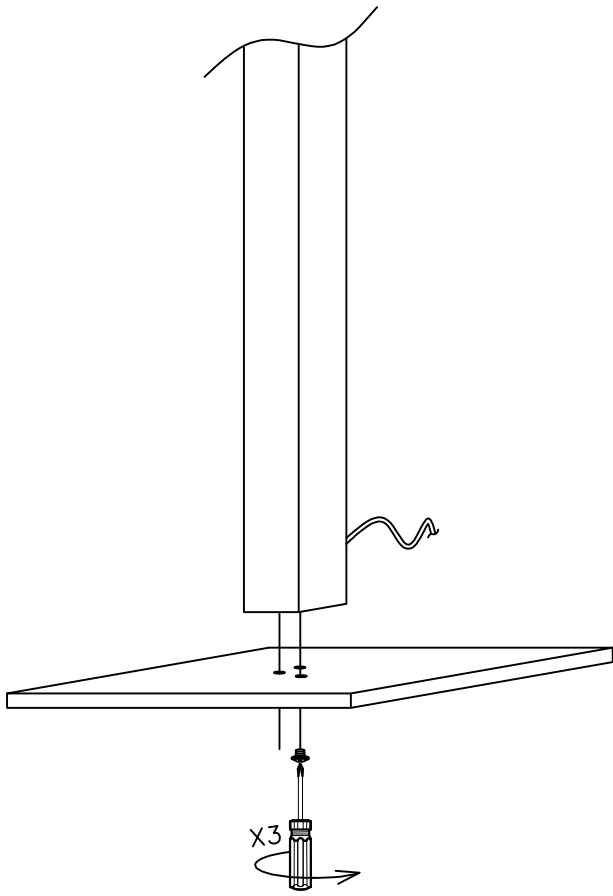
DLOR 38.33 %

RN 54.80 %

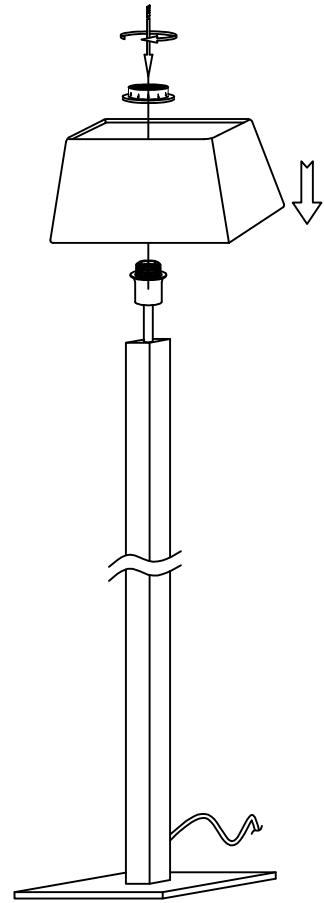




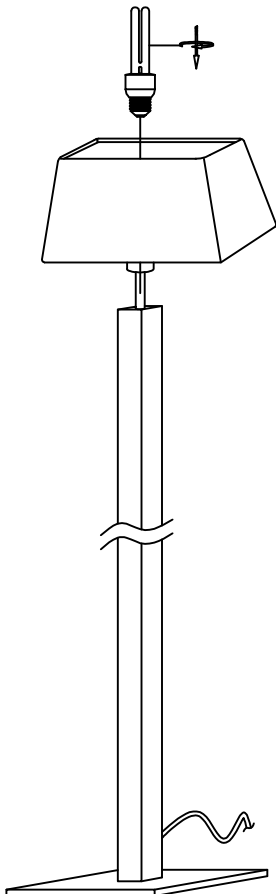
1



2



3



4

