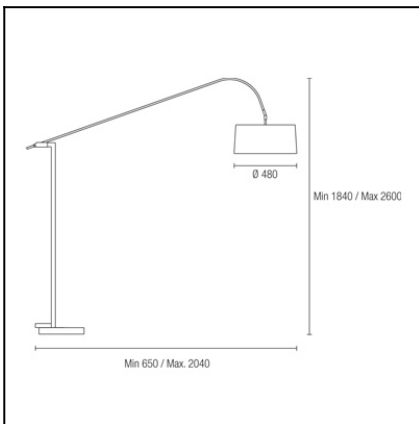




The photograph may not match the reference exactly. Please read the product description to identify the finish.



TECHNICAL CHARACTERISTICS

Type:	Floor lamp
IP Protection degrees:	IP20
Lampholder:	3 x E27
Power (W):	E27 MAX 60W
Total power consumption (W):	180
Voltage / Frequency:	220-240V/50-60Hz
Warranty (Years):	2
Units per box:	1
Net Weight (Kg):	25.4
EAN:	8435111070345,00
Stability:	7°



MATERIALS / FINISHES

Structure material: Steel

Diffuser material: Fabric shade

Structure finish: Chrome
Brown

Diffuser finish: White

Download photometric file .ldt / .ies

