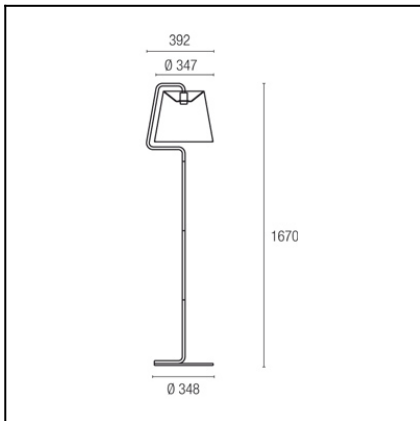


Design by **Francesc Vilaró**



The photograph may not match the reference exactly. Please read the product description to identify the finish.



TECHNICAL CHARACTERISTICS

Type:	Floor lamp
IP Protection degrees:	IP20
Lampholder:	1 x E27
Power (W):	E27 MAX 100W
Total power consumption (W):	100
Voltage / Frequency:	220-240V/50-60Hz
Units per box:	1
Net Weight (Kg):	6.95
EAN:	8435111073377



MATERIALS / FINISHES

Structure material: Steel

Diffuser material: Fabric shade

Structure finish: Black

Diffuser finish: Black

[Download photometric file .ldt / .ies](#)

Luminaria Código 25-4342-05-05 Nombre Pie GLADIS 100W E27 Familia - LEDS-C4		Ensayo Código 05-4342-05-05 Nombre Pie GLADIS 100W E27 Fecha 27-02-2010		Lámpara Código STANDARD GOC 100W Número 1 Posición	
Eficiencia	49.02%	Sist. de Coordin.	C-G	Flujo Total	930.00 lm
Valor Máximo	236.18 cd	Posición	C=195.00 G=55.00	Asimétrico	

Diam=347mm

Semiplanos C

180.0 ——— 0.0
270.0 ——— 90.0

