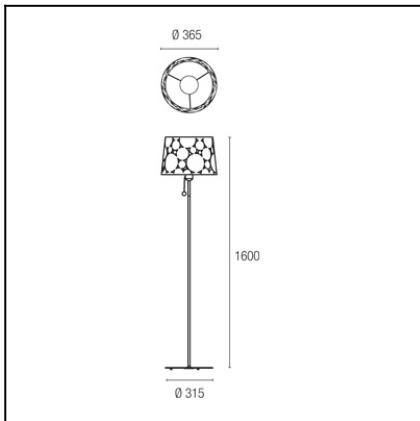


Design by Estudi Ribaudí



The photograph may not match the reference exactly. Please read the product description to identify the finish.



TECHNICAL CHARACTERISTICS

Type:	Floor lamp
IP Protection degrees:	IP20
Lampholder:	1 x E27
Power (W):	E27 MAX 100W
Total power consumption (W):	100
Voltage / Frequency:	220-240V/50-60Hz
Units per box:	1
Net Weight (Kg):	8.29
EAN:	8435111073919



MATERIALS / FINISHES

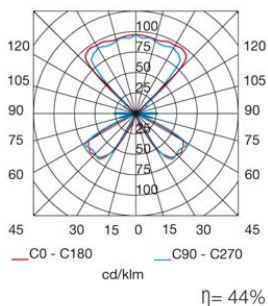
Structure material: Steel

Diffuser material: Steel shade

Structure finish: Matt white
Chrome

Diffuser finish: White

E-27 100W

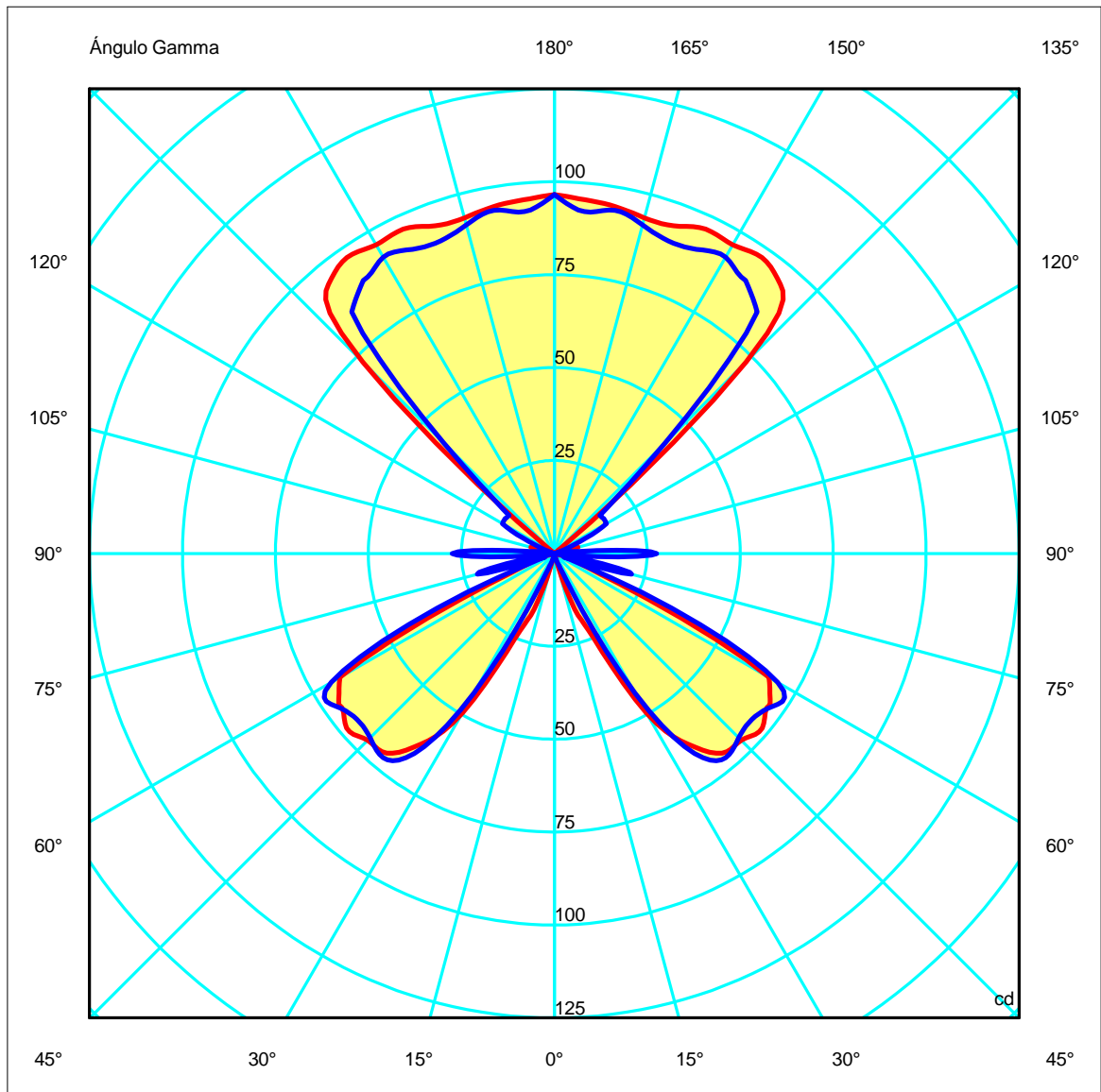
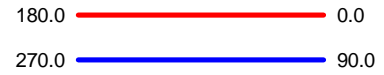
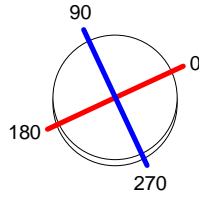


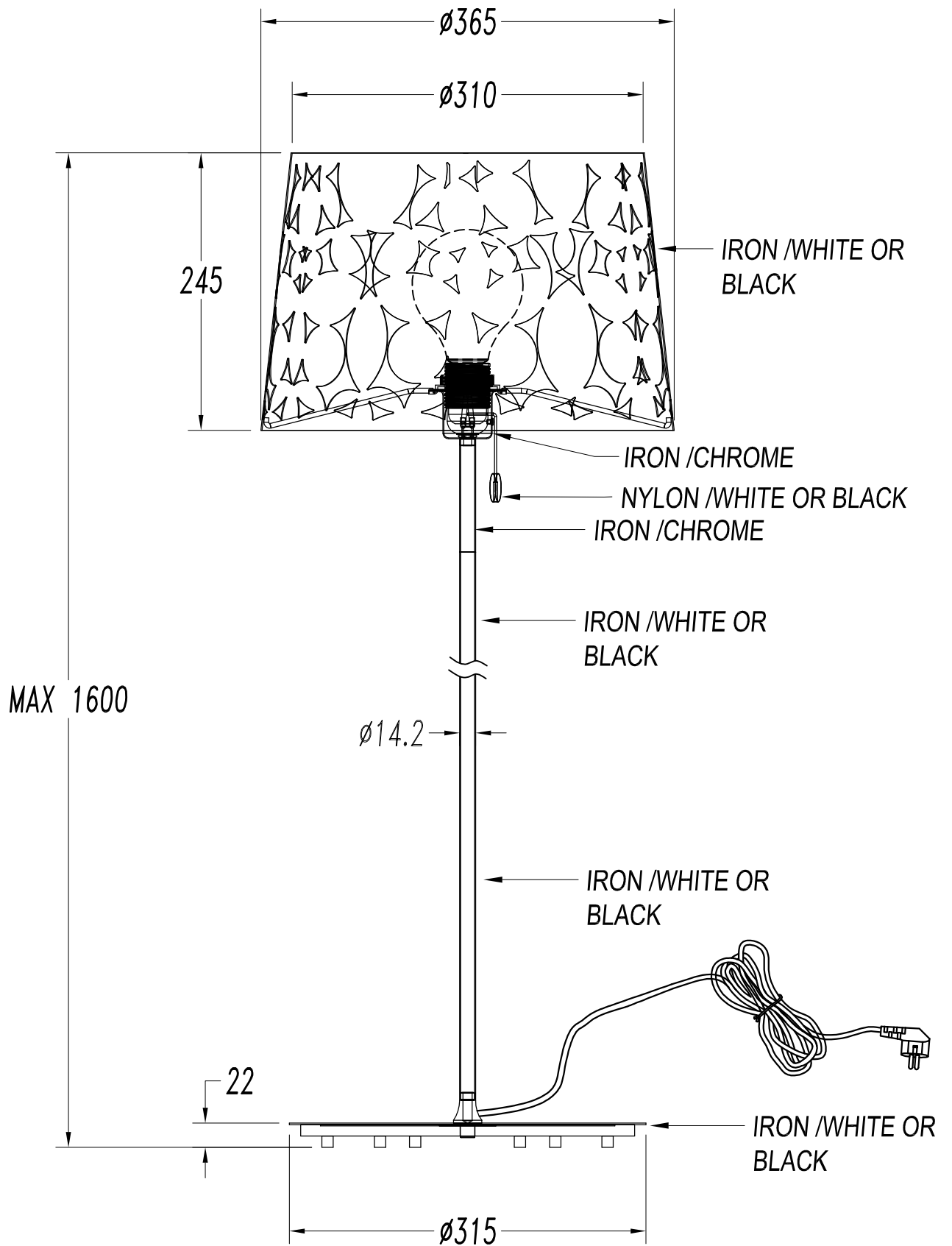
Download photometric file .ldt /.ies

Luminaria		Ensayo		Lámpara	
Código	25-4343-05-05	Código	25-4343-05-05	Código	STANDARD GOC 100W
Nombre	Pie 1x100W incandescente E27	Nombre	Pie 1x100W incandescente E27	Número	1
Familia	- LEDS-C4	Fecha	25-02-2010	Posición	
Eficiencia	44.04%	Sist. de Coordin.	C-G	Flujo Total	930.00 lm
Valor Máximo	97.27 cd	Posición	C=0.00 G=145.00	Bisimétrico	

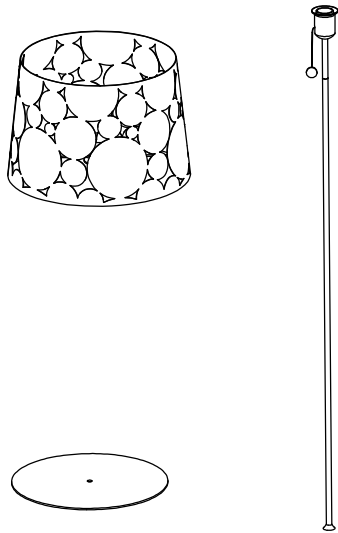
Diam=365mm

Semiplanos C

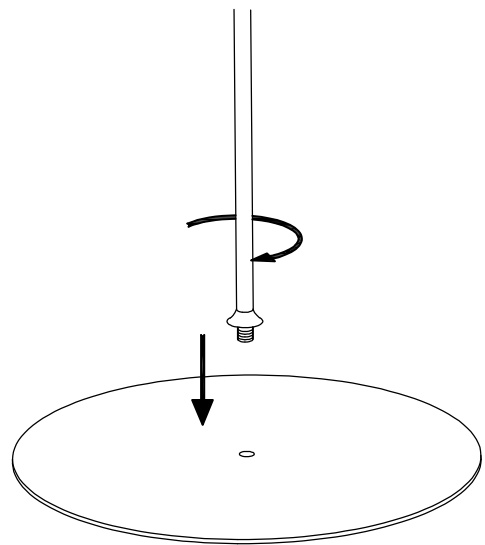




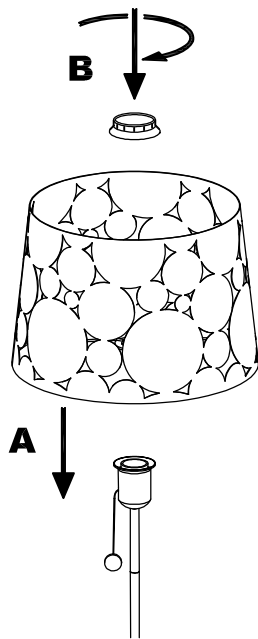
1



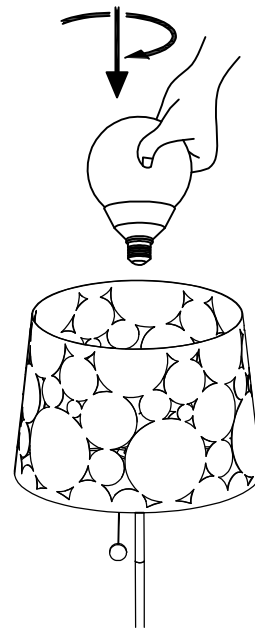
2



3



4



5

