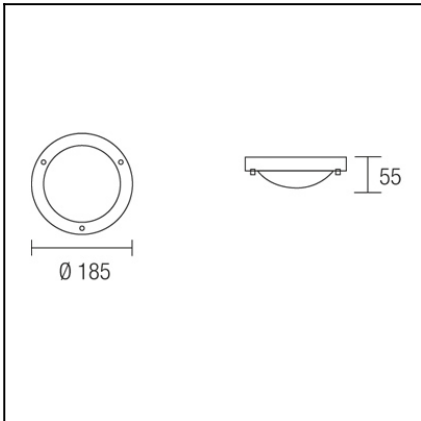




The photograph may not match the reference exactly. Please read the product description to identify the finish.



TECHNICAL CHARACTERISTICS

| | |
|------------------------------|------------------|
| Type: | Ceiling fixture |
| IP Protection degrees: | IP23 |
| Lampholder: | 1 x G9 |
| Power (W): | G9 MAX 40W |
| Bulb included: | 1 x G9 MAX 40W |
| Total power consumption (W): | 40 |
| Voltage / Frequency: | 220-240V/50-60Hz |
| Units per box: | 6 |
| Net Weight (Kg): | 0.41 |
| EAN: | 8435071403009 |



MATERIALS / FINISHES

Structure material: Steel
Structure finish: Satin nickel

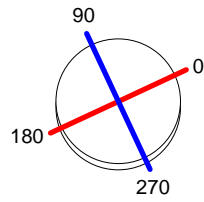
Diffuser material: Glass
Diffuser finish: Satin

[Download photometric file .ldt /.ies](#)

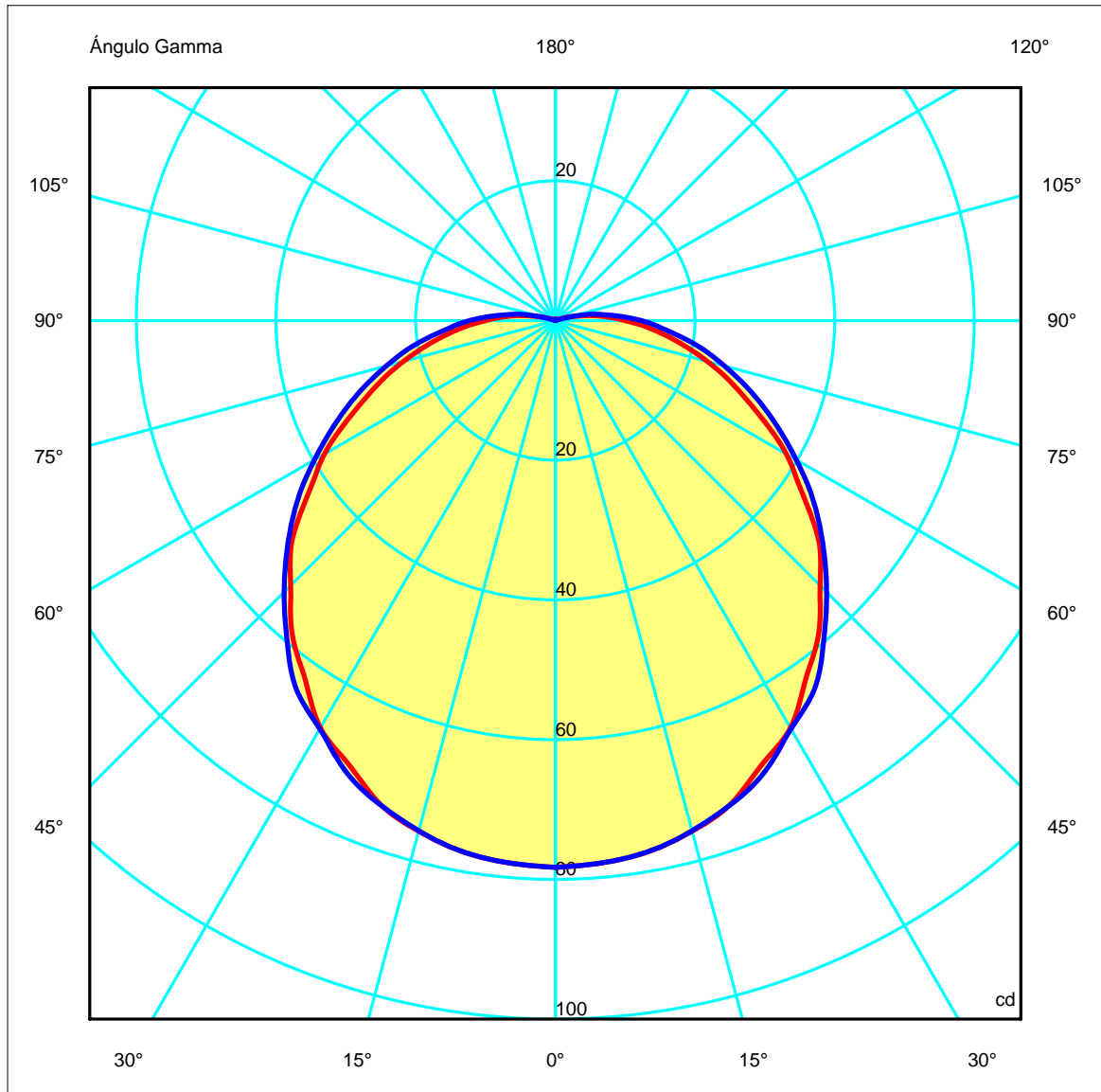
| | | | | | |
|------------------|---------------------------|-------------------|-----------------------------|----------------|-----------|
| Luminaria | | Ensayo | | Lámpara | |
| Código | 270-NS | Código | 270-NS | Código | 66640 |
| Nombre | Aplicque OSLO 40W G9 opal | Nombre | Aplicque OSLO 100W R7s opal | Número | 1 |
| Familia | - LEDS-C4 | Fecha | 17-03-2010 | Posición | Universal |
| Eficiencia | 54.68% | Sist. de Coordin. | C-G | Flujo Total | 490.00 lm |
| Valor Máximo | 78.27 cd | Posición | C=0.00 G=0.00 | Bisimétrico | |

Diam=185mm

Semiplanos C



180.0 ————— 0.0
 270.0 ————— 90.0



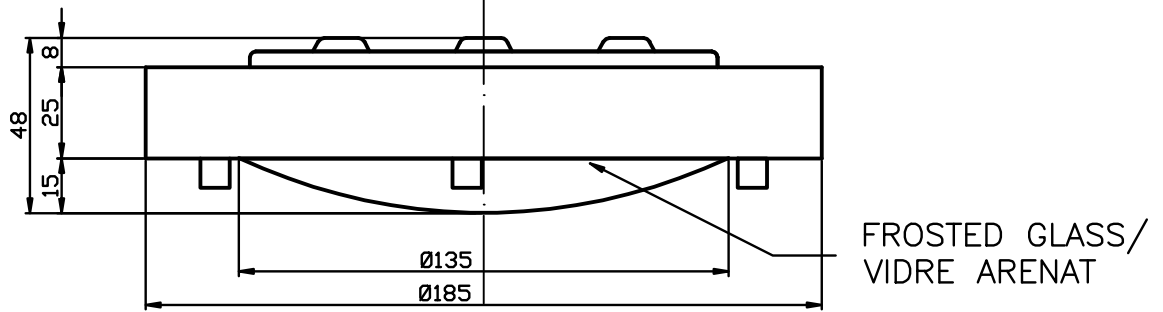
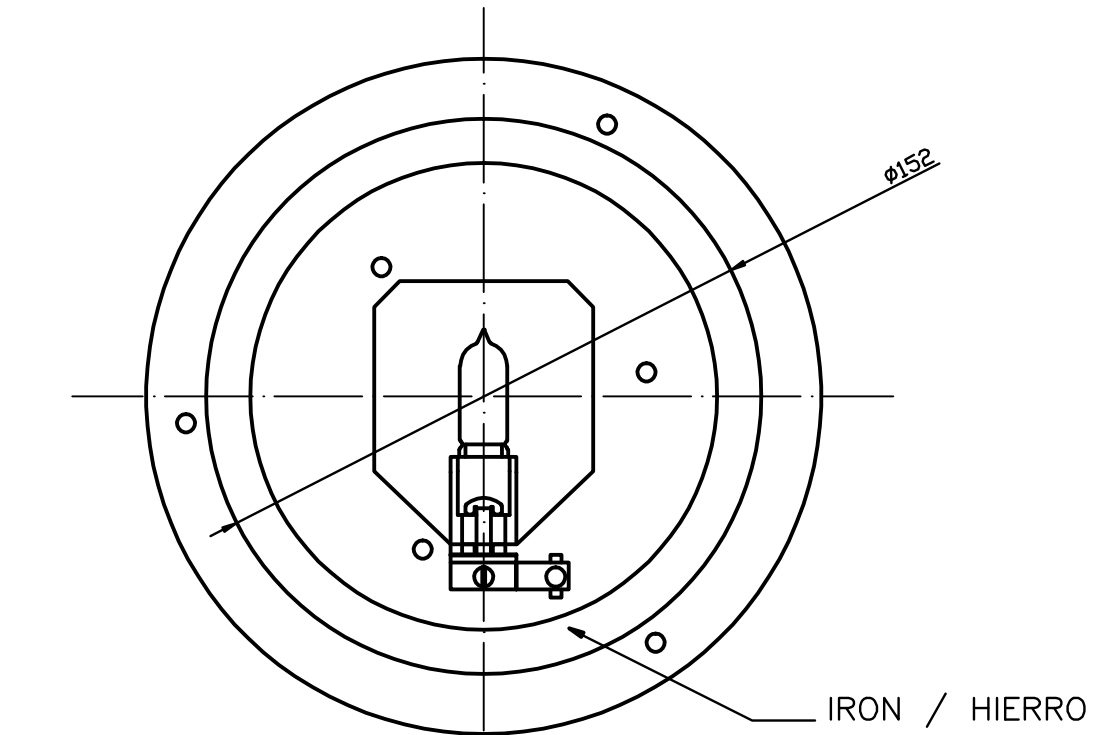


PLATE SET
TO WALL

