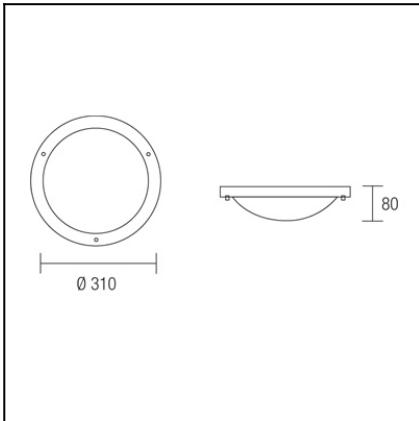




The photograph may not match the reference exactly. Please read the product description to identify the finish.



TECHNICAL CHARACTERISTICS

Type:	Ceiling fixture
IP Protection degrees:	IP23
Lampholder:	1 x R7s
Power (W):	R7s MAX 100W
Bulb included:	1 x R7s MAX 80W
Total power consumption (W):	100
Voltage / Frequency:	220-240V/50-60Hz
Units per box:	6
Net Weight (Kg):	1.345
EAN:	8435071403016



MATERIALS / FINISHES

Structure material: Steel
Structure finish: Satin nickel

Diffuser material: Glass
Diffuser finish: Sandblasted

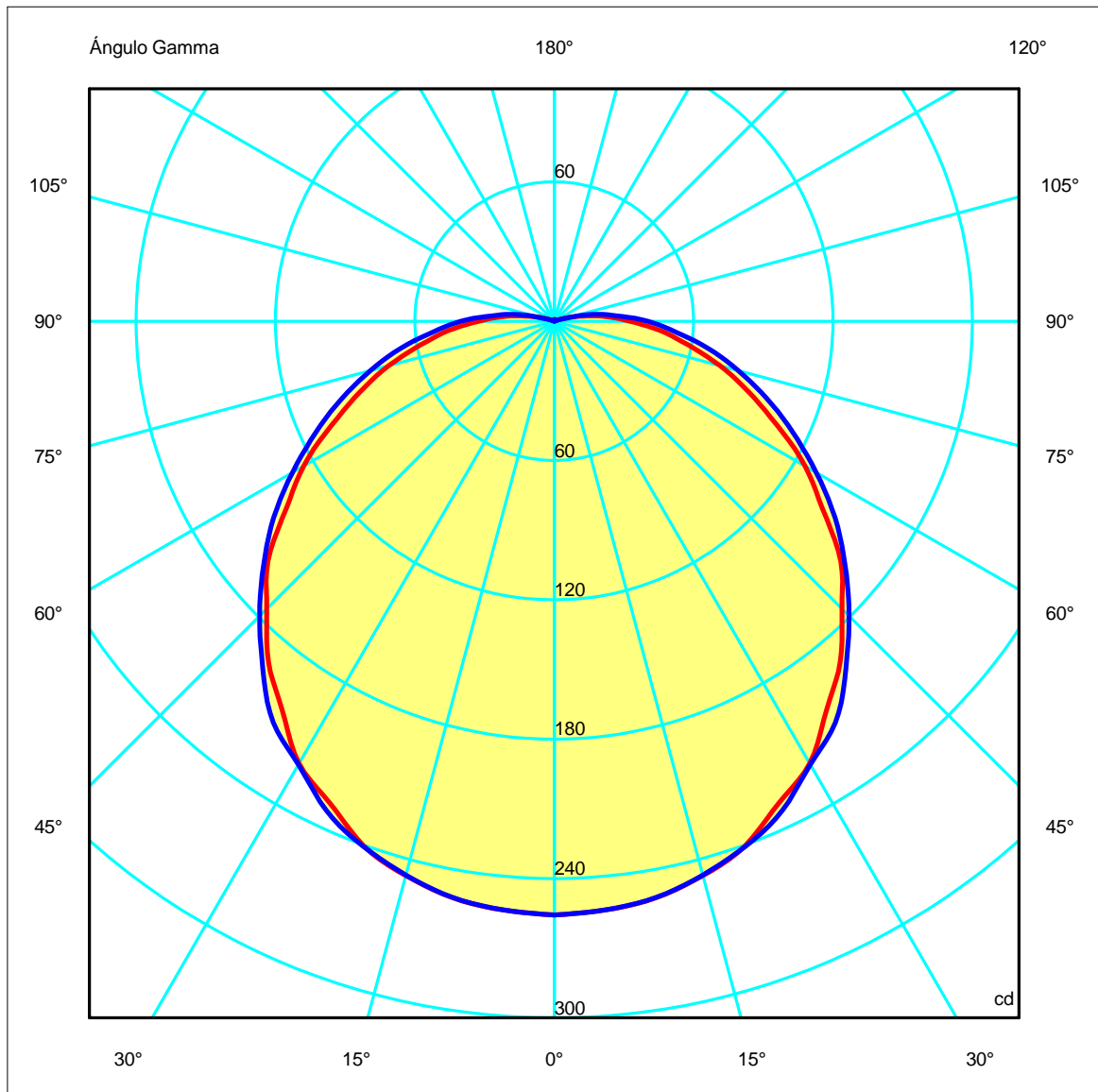
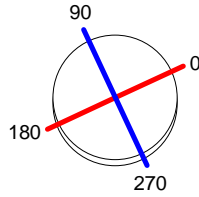
[Download photometric file .ldt /.ies](#)

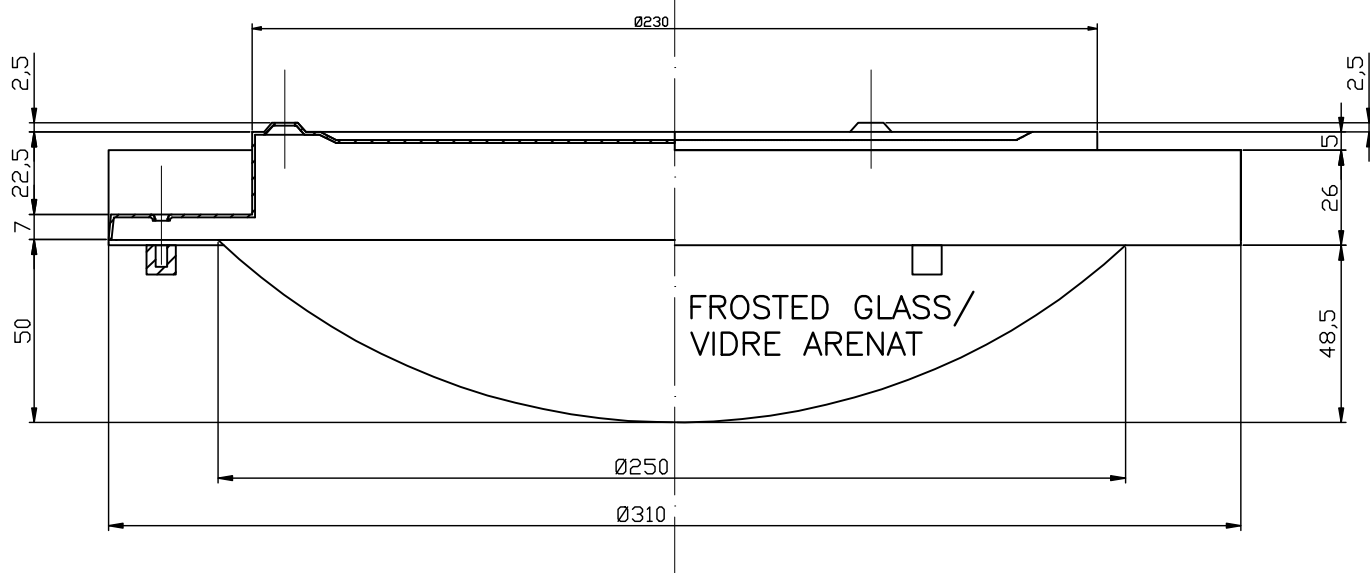
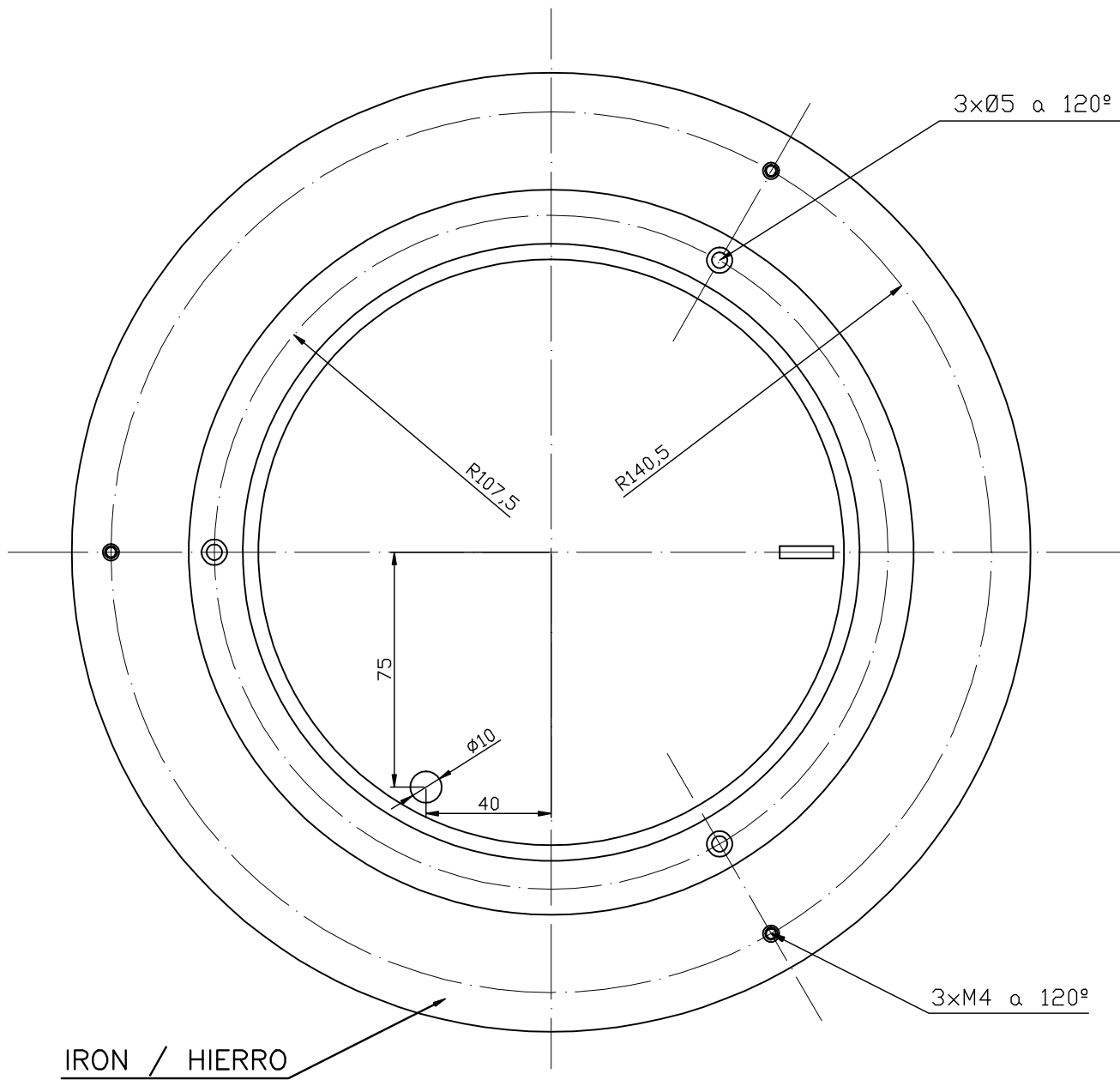
Luminaria Código 271-NS Nombre Aplique OSLO 100W R7s opal Familia - LEDS-C4		Ensayo Código 271-NS Nombre Aplique OSLO 100W R7s opal Fecha 17-03-2010		Lámpara Código 100T3 Q/CL/CP 230V Número 1 Posición	
Eficiencia	54.68%	Sist. de Coordin.	C-G	Flujo Total	1600.00 lm
Valor Máximo	255.57 cd	Posición	C=0.00 G=0.00	Bisimétrico	

Diam=310mm

Semiplanos C

180.0 ——— 0.0
270.0 ——— 90.0







LED5-C4

IMC 271-NS

