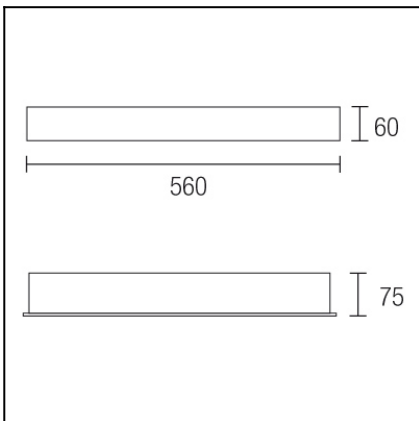


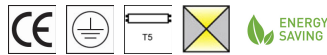


The photograph may not match the reference exactly. Please read the product description to identify the finish.



TECHNICAL CHARACTERISTICS

Type:	Ceiling fixture
IP Protection degrees:	IP20
Lampholder:	2 x G5
Power (W):	G5 13W
Bulb included:	2 x G5 13W
Voltage / Frequency:	220-240V/50-60Hz
Units per box:	2
Net Weight (Kg):	2.15
EAN:	8435111028100

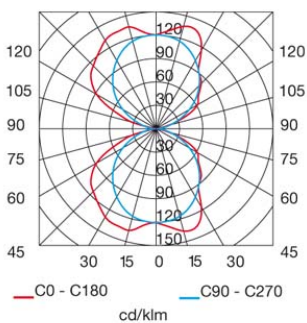


MATERIALS / FINISHES

Structure material: Steel
Structure finish: Chrome

GEAR

Gear included: Yes, electronic

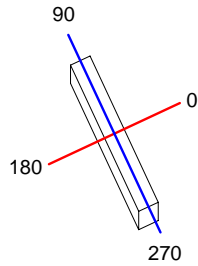


$\eta = 78,61\%$

[Download photometric file .ldt / .ies](#)

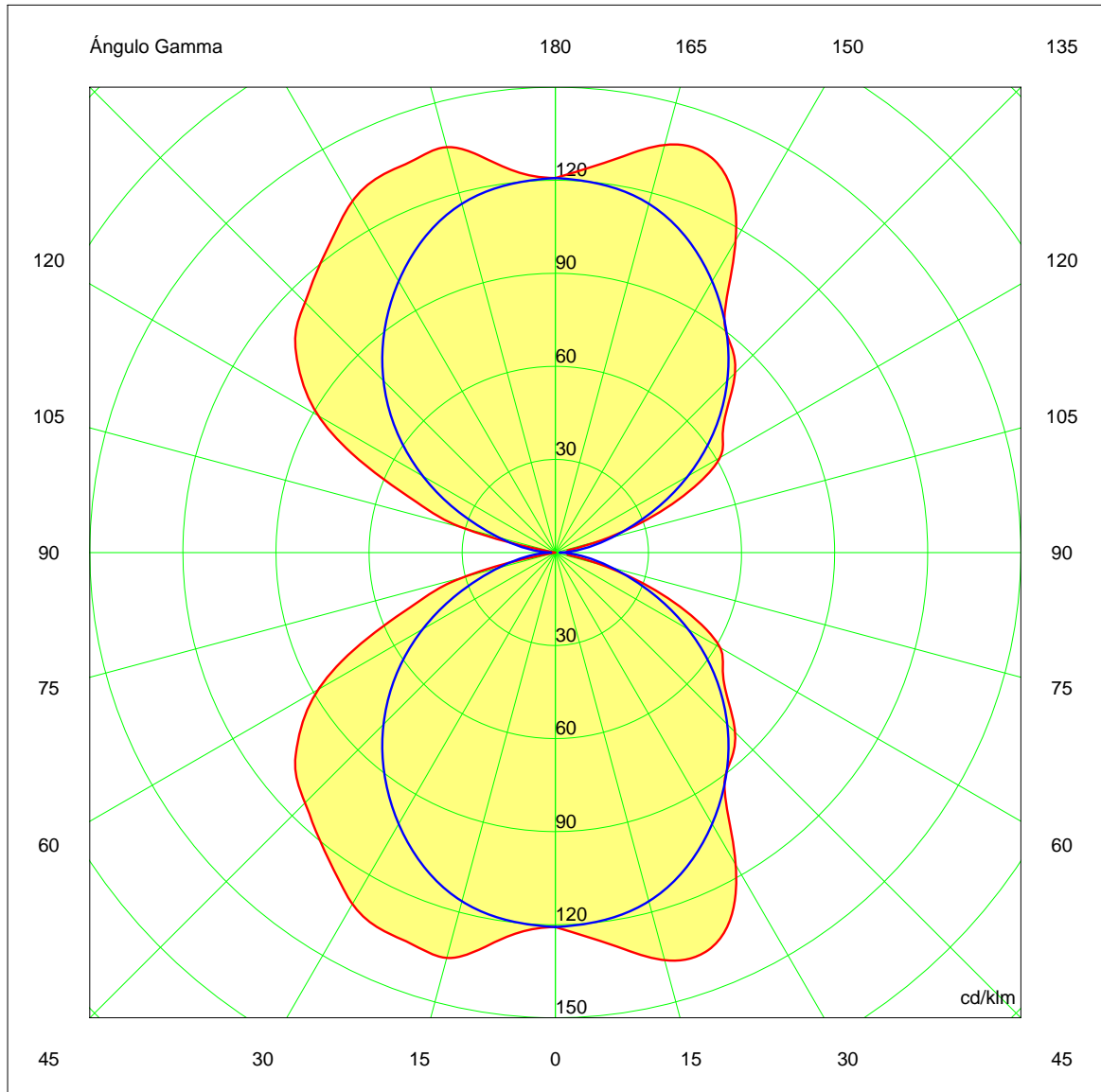
Luminaria Código 283-CR Nombre Aplique dir/ind 2x13W T5 Familia - LEDS-C4		Ensayo Código 283-CR Nombre Aplique dir/ind 1x13W T5 Fecha 13-02-2009		Lámpara Código L 13 W/20 Número 2 Posición Universal	
Eficiencia	78.61%	Sist. de Coordin.	C-G	Flujo Total	1660.00 lm
Valor Máximo	137.75 cd/klm	Posición	C=0.00 G=20.00	Asimétrico	

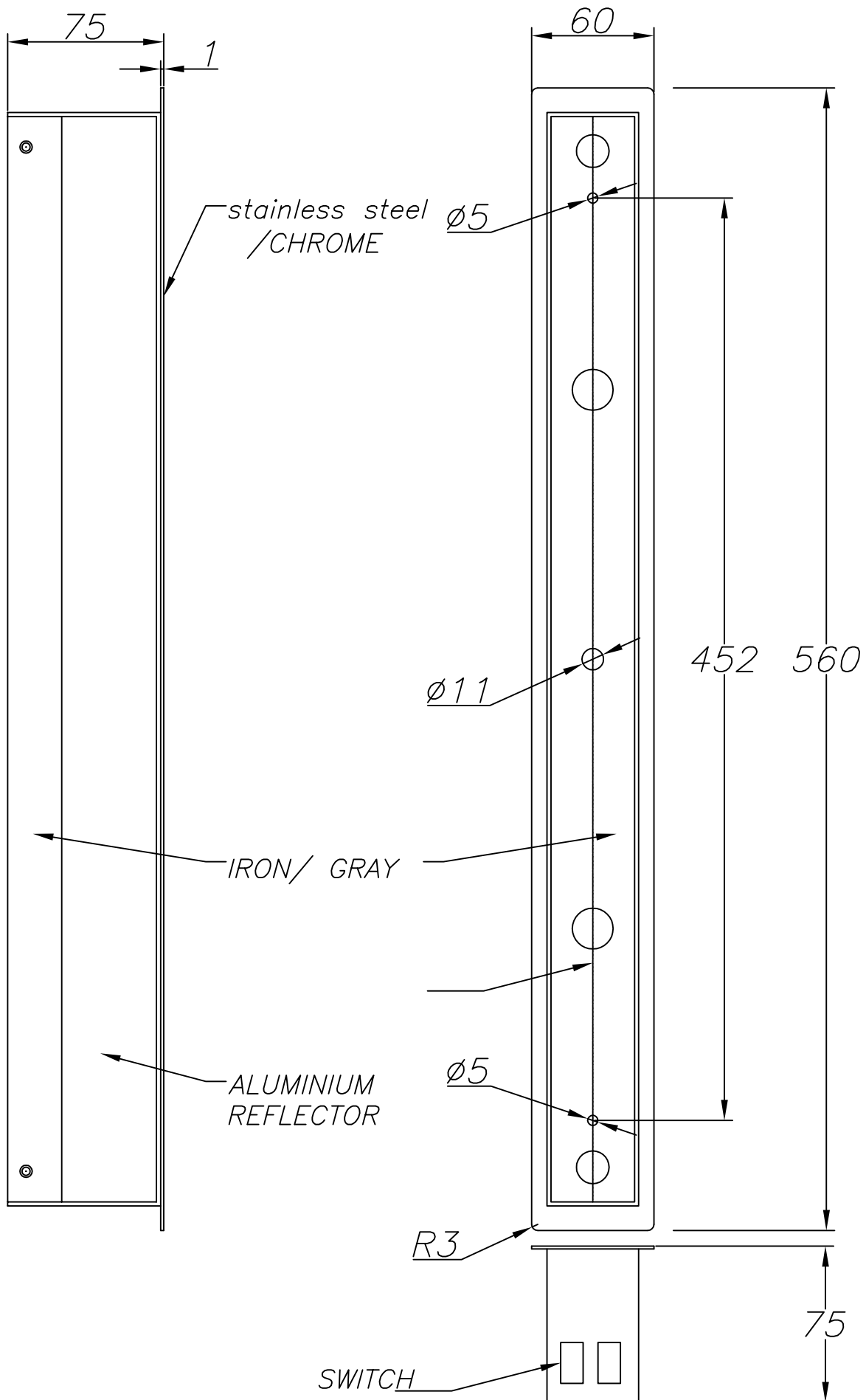
565mm x 75mm

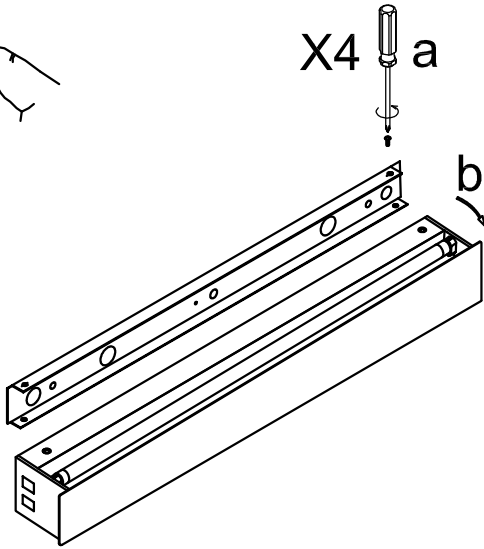
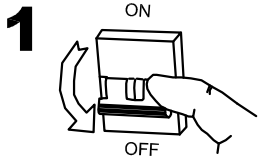


Semiplanos C

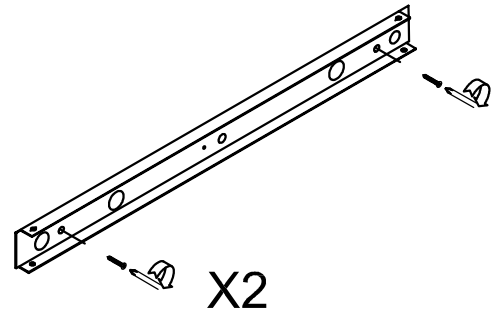
180.0 ——— 0.0
270.0 ——— 90.0



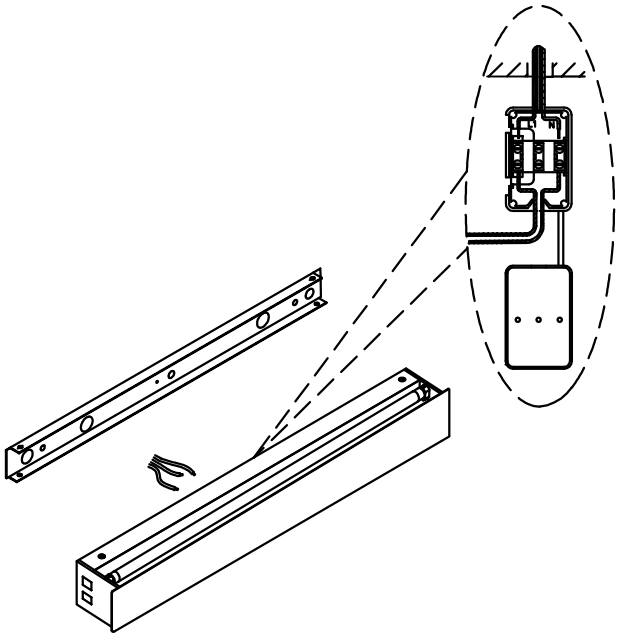




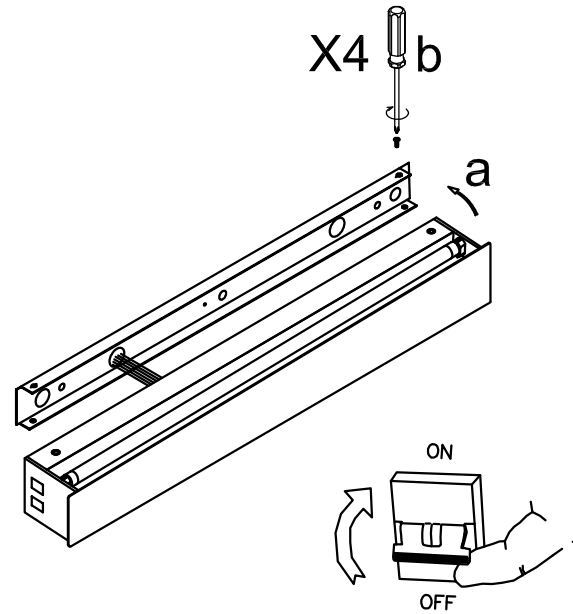
2



3



4



5

