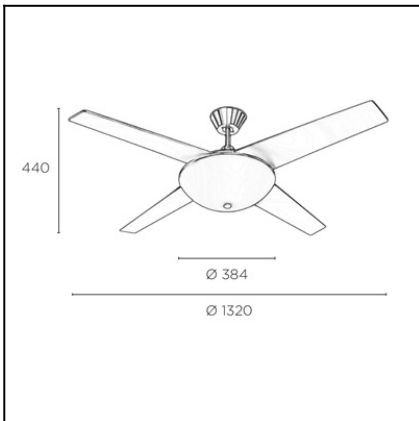


Design by Estudi Ribaudí



The photograph may not match the reference exactly. Please read the product description to identify the finish.



[Download photometric file .ldt / .ies](#)

### TECHNICAL CHARACTERISTICS

Type:	Fan
RPM:	90/140/185
IP Protection degrees:	IP20
Lampholder:	2 x E27
Power (W):	E27 60w
Total power consumption (W):	175
Voltage / Frequency:	230V/50Hz
Warranty (Years):	2
Units per box:	1
Net Weight (Kg):	8.47
EAN:	8435381402266,00



### MATERIALS / FINISHES

<b>Structure material:</b>	Steel Aluminium	<b>Diffuser material:</b>	Glass
<b>Structure finish:</b>	Satin nickel Satin nickel	<b>Diffuser finish:</b>	White Tinted
<b>Blades material:</b>	Plywood		
<b>Blades finishes:</b>	White Textured grey		

**71-1844-81-81****Structure material:**

Steel

**Structure finish:**

Satin nickel

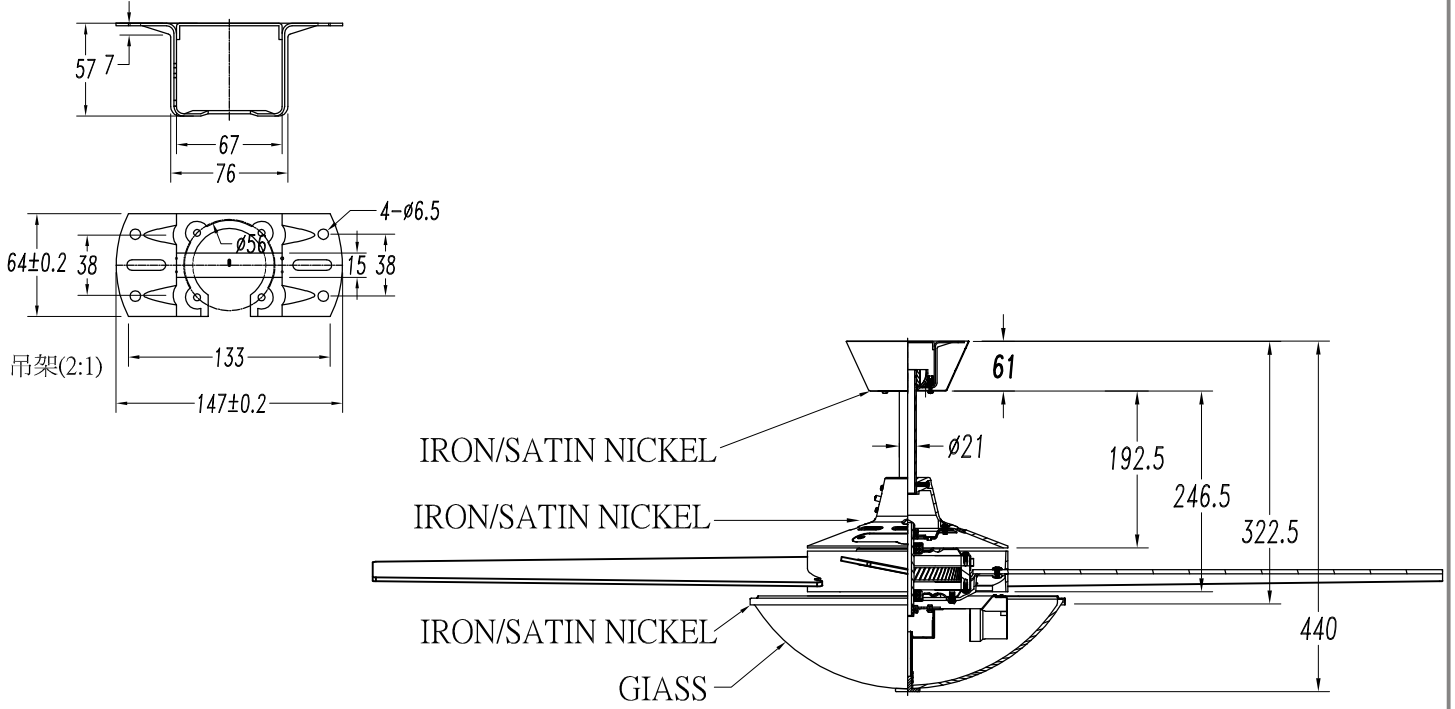
**71-1843-81-81****Structure material:**

Steel

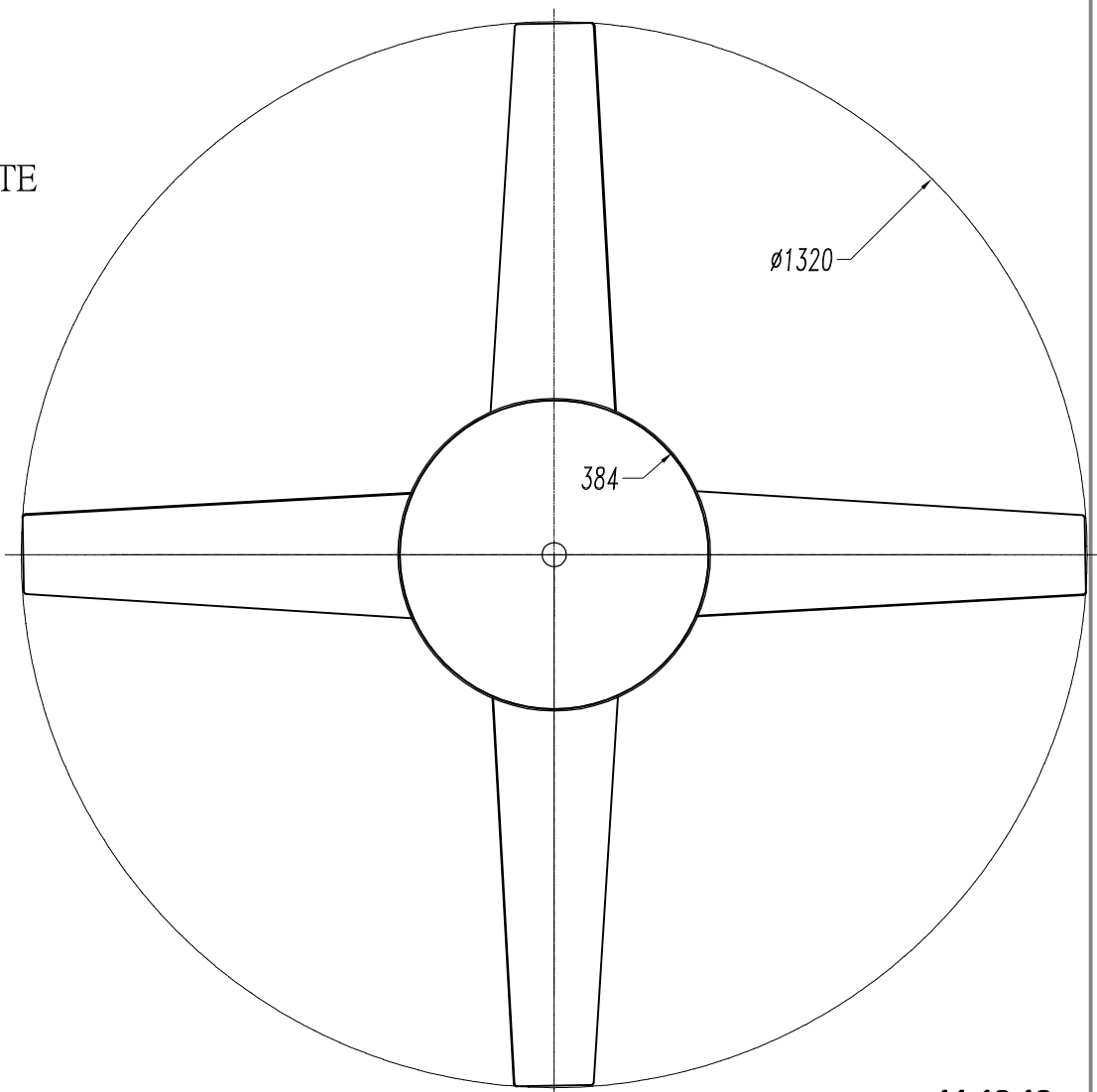
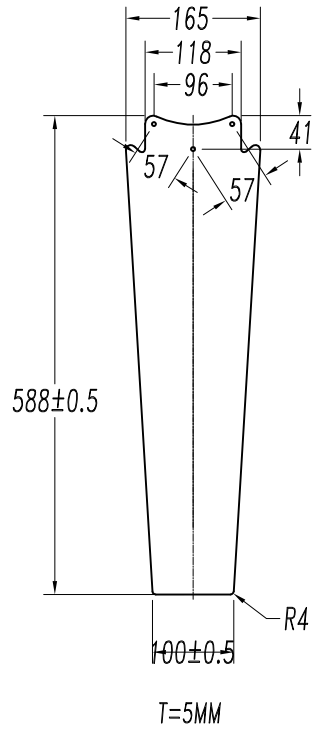
**Structure finish:**

Satin nickel





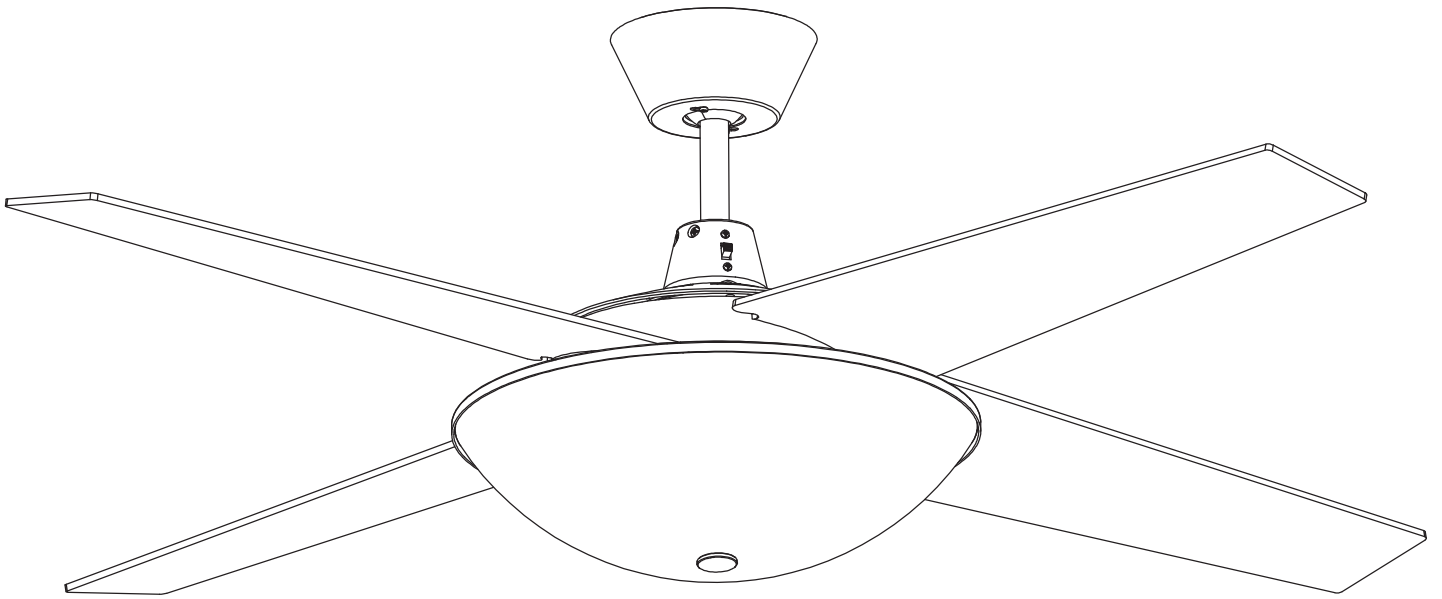
WOOD/GREY & WHITE

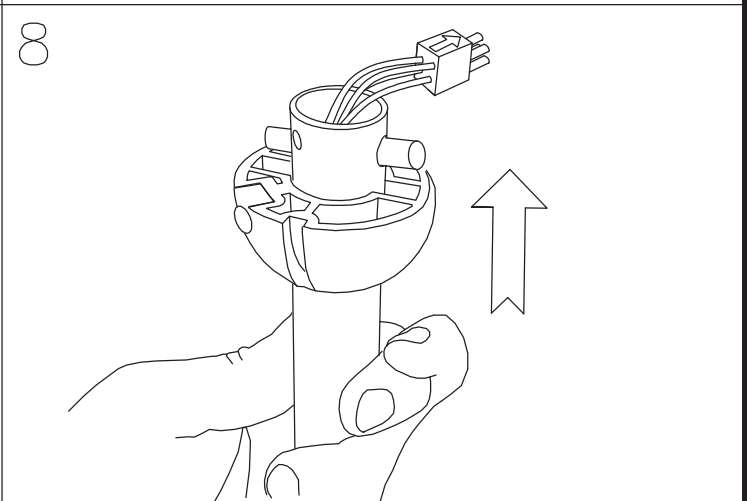
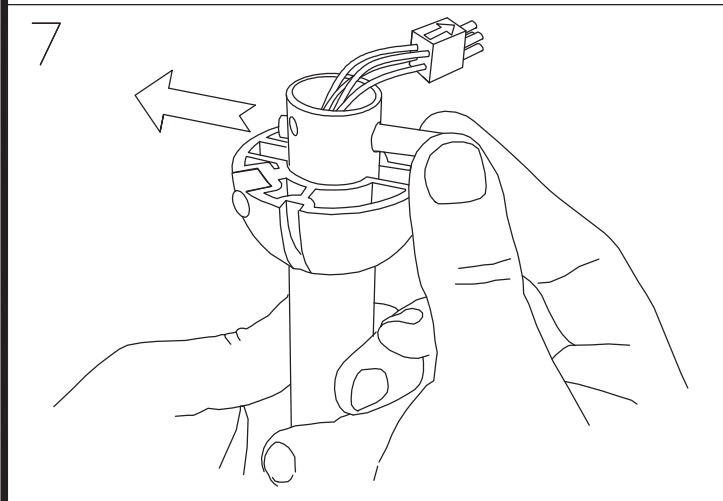
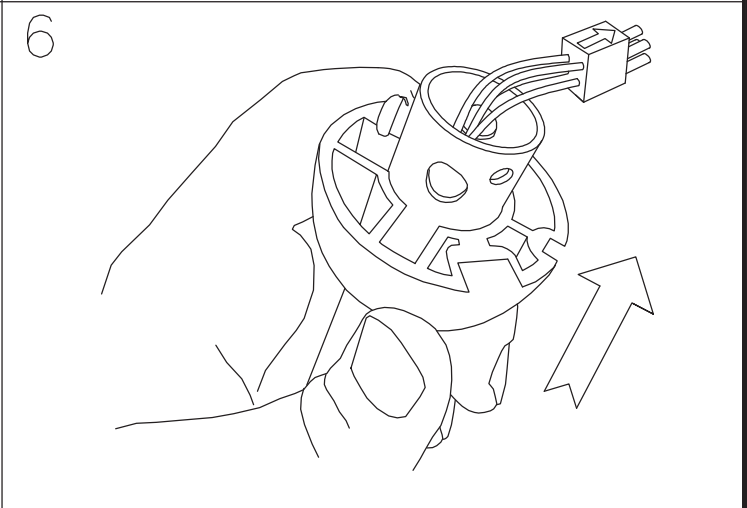
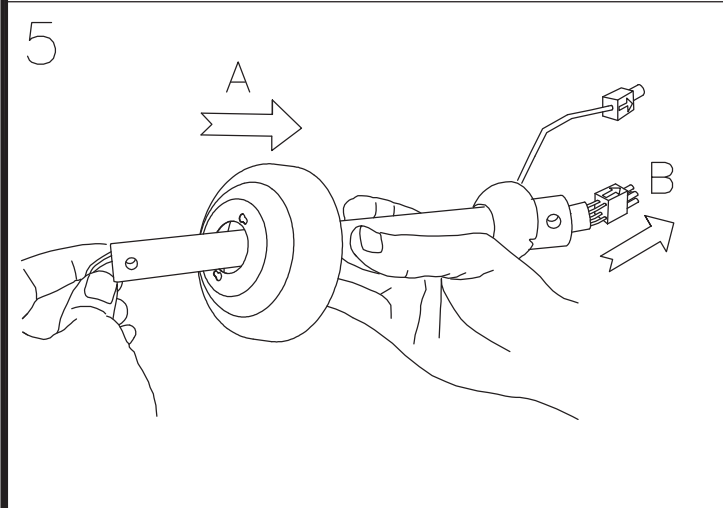
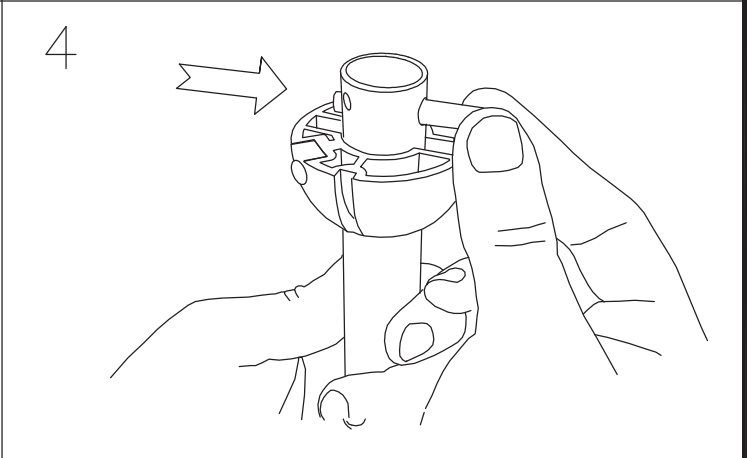
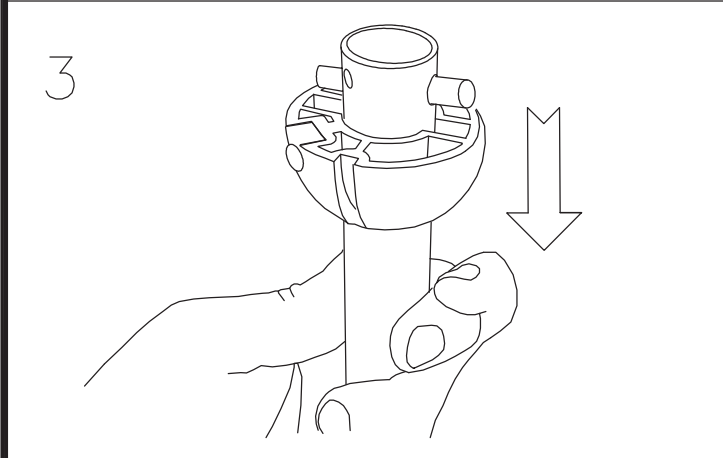
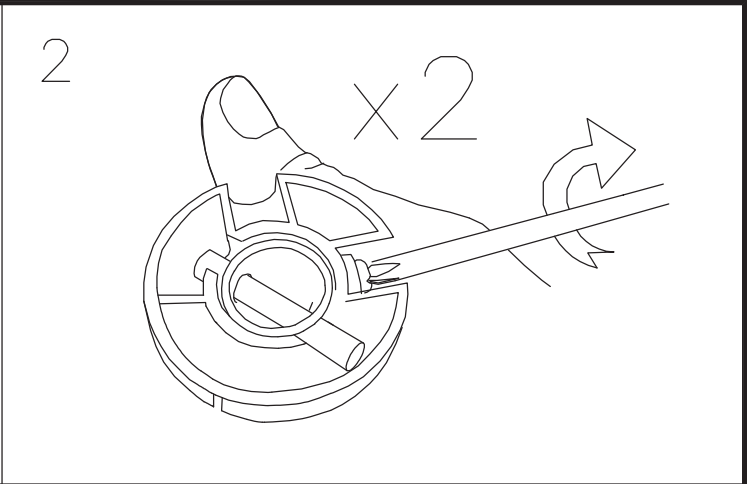
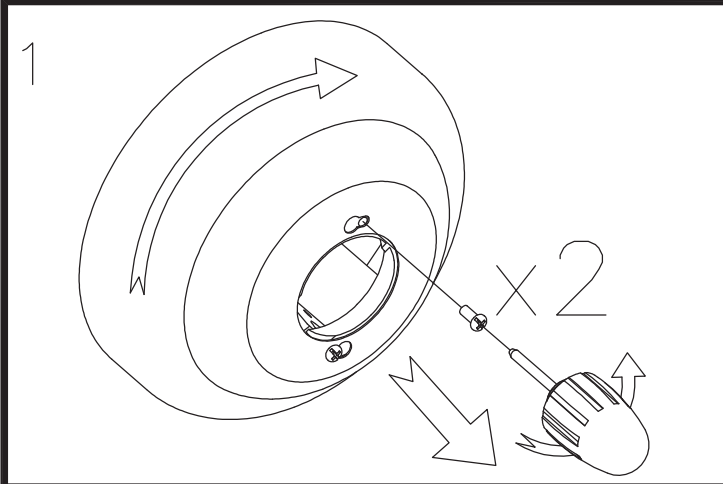


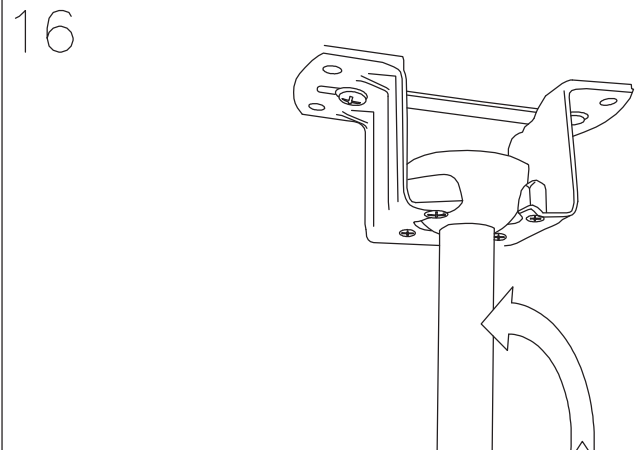
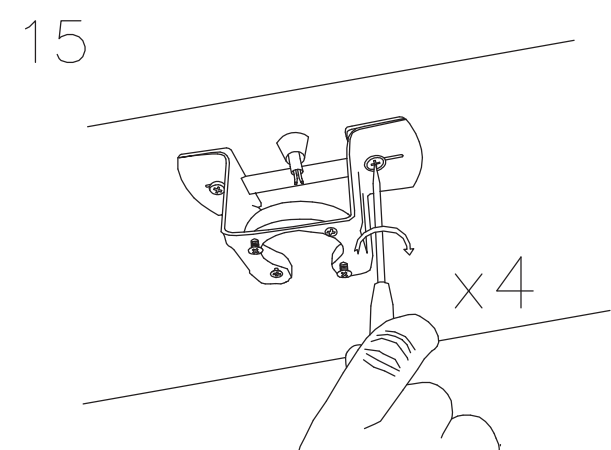
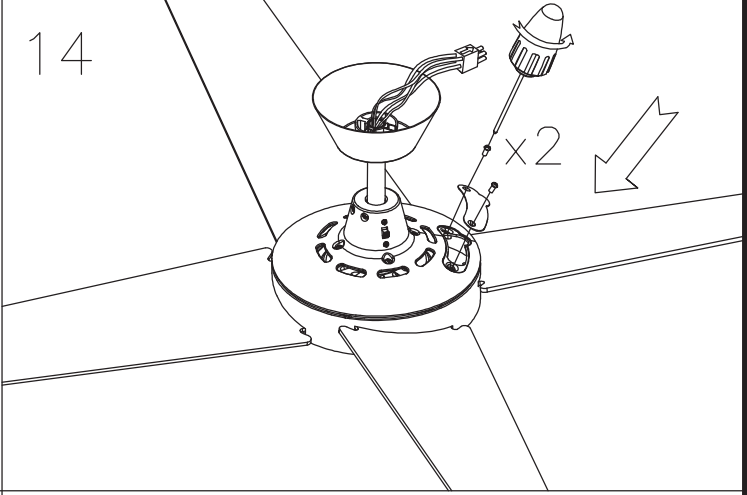
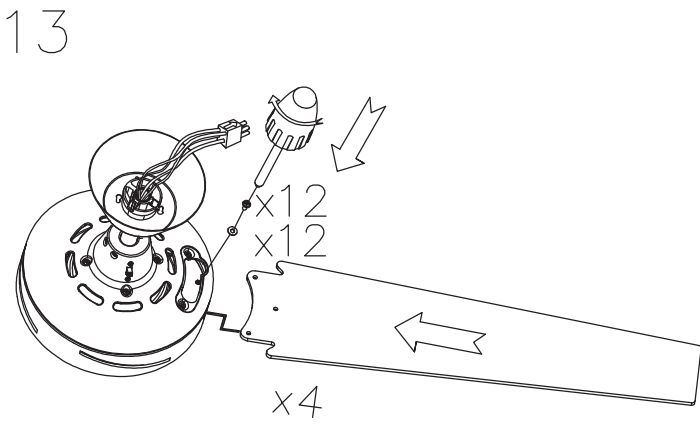
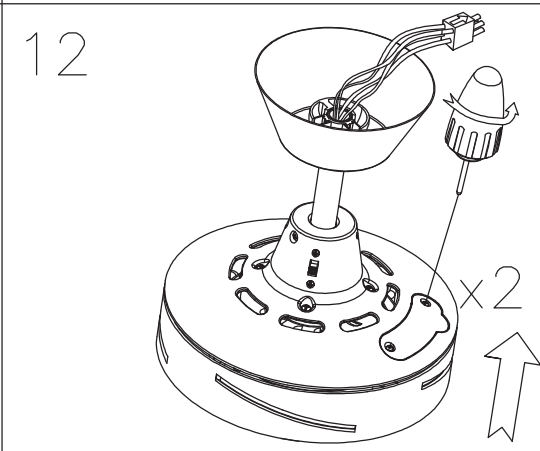
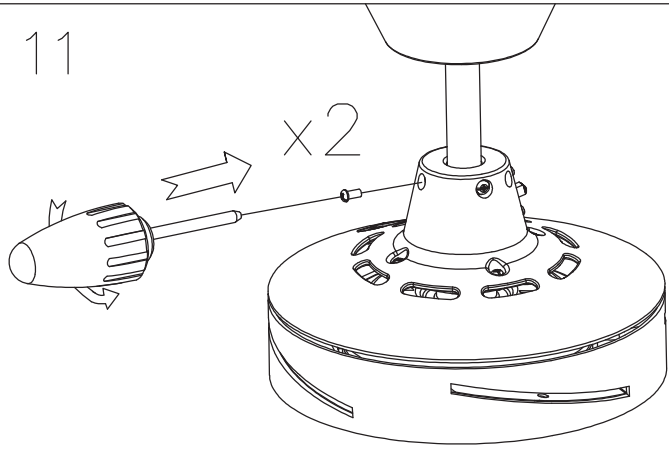
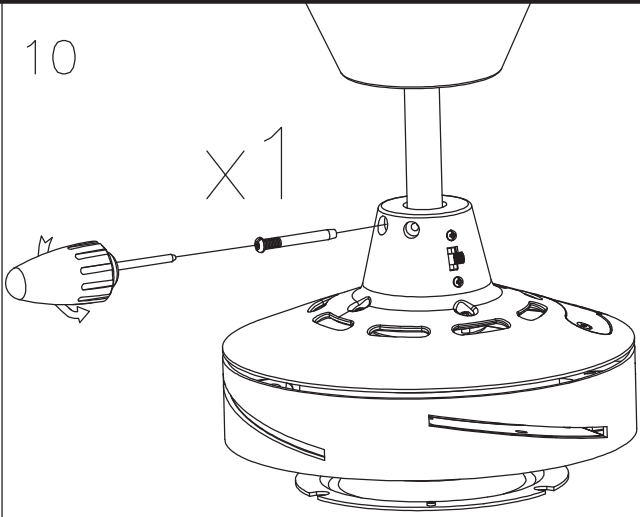
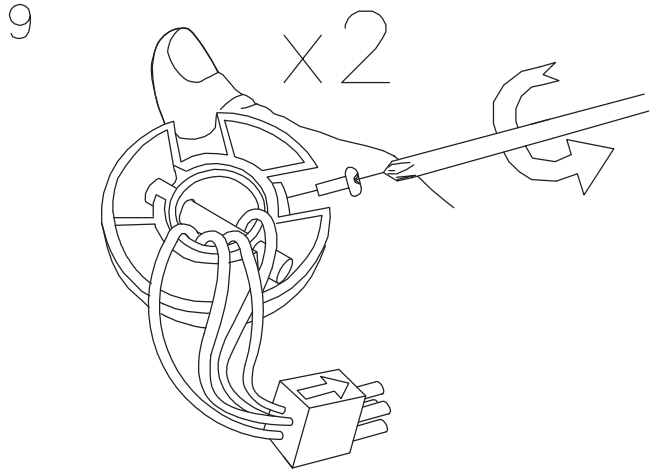


LED S-C4

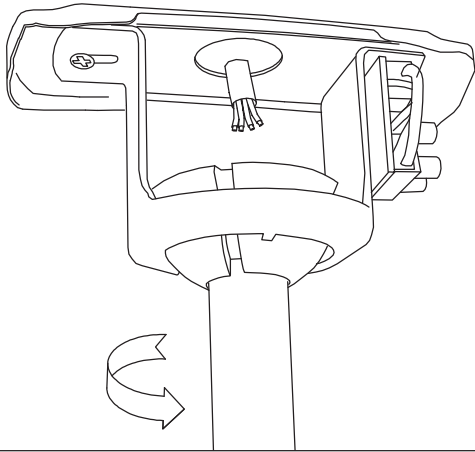
30-1965-81-E9



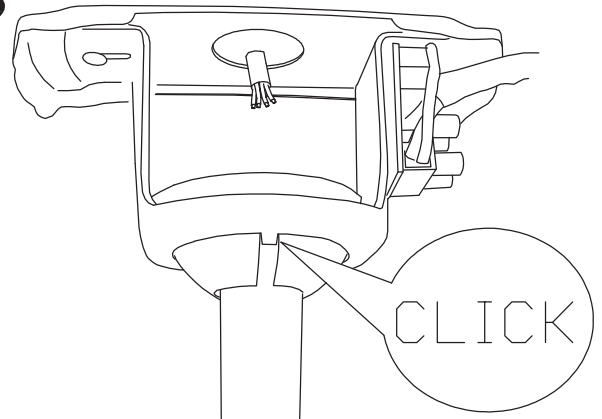




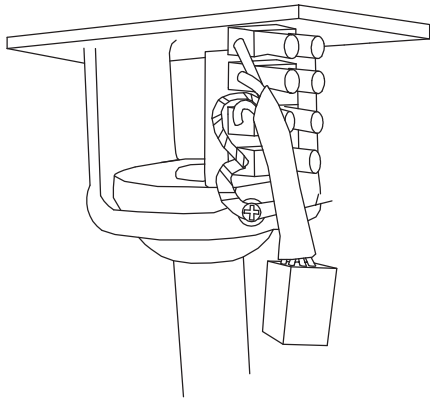
**17**



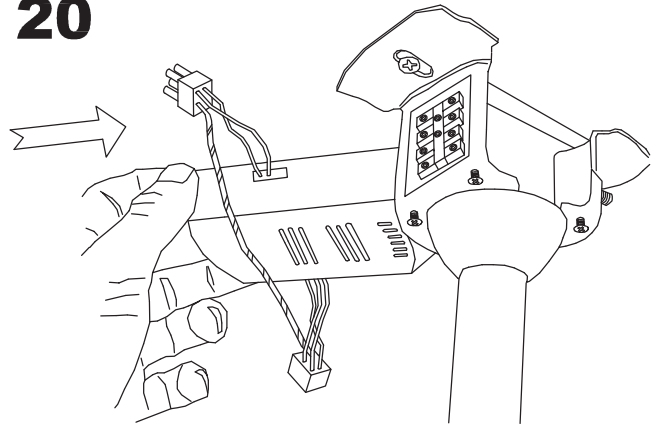
**18**



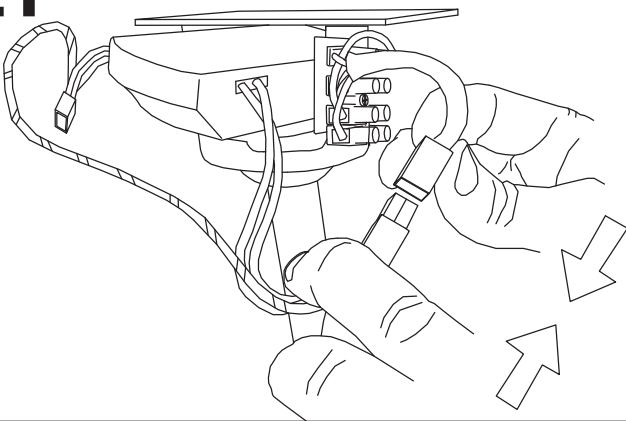
**19**



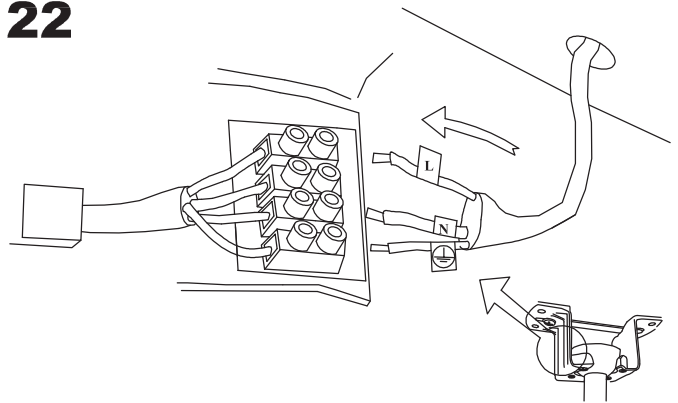
**20**



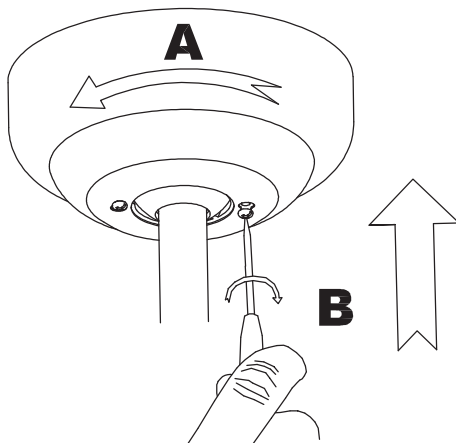
**21**



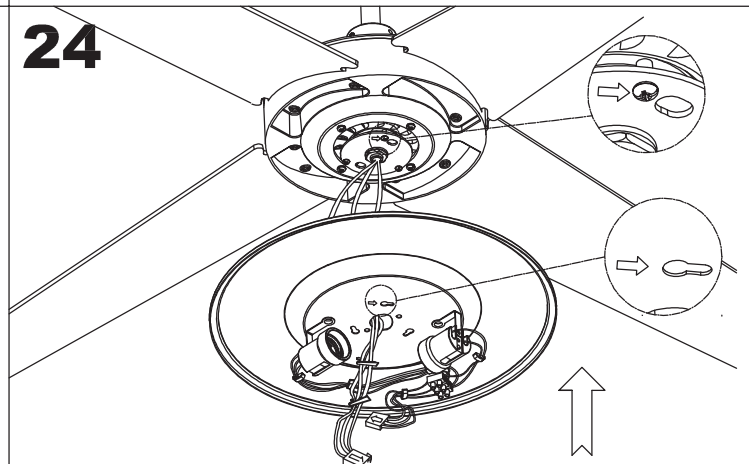
**22**

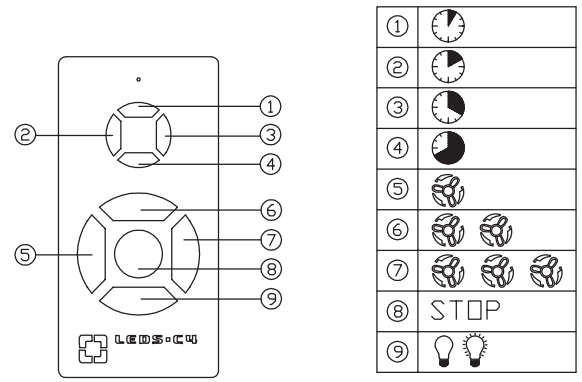
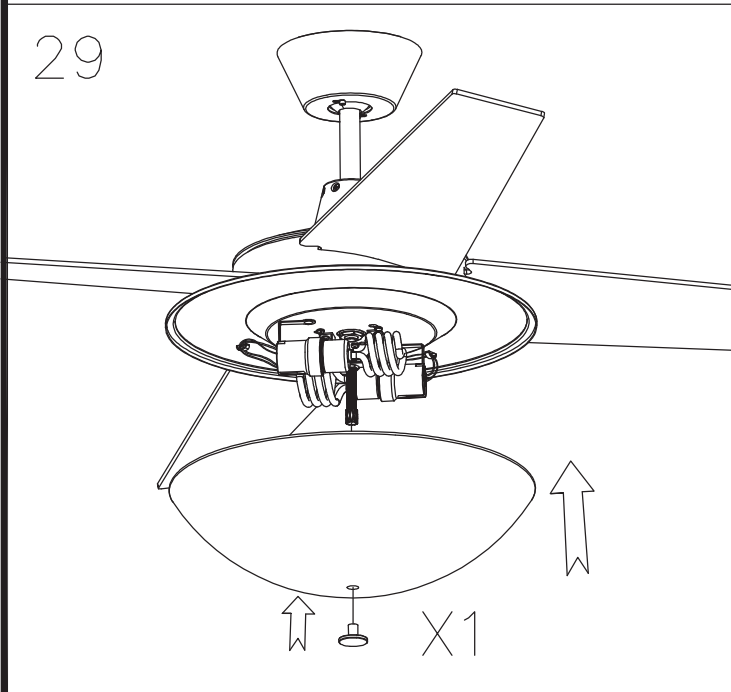
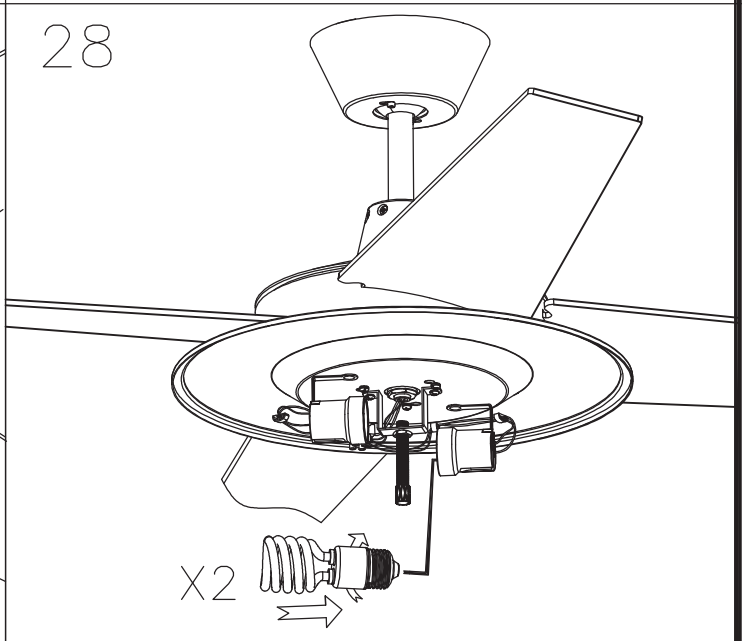
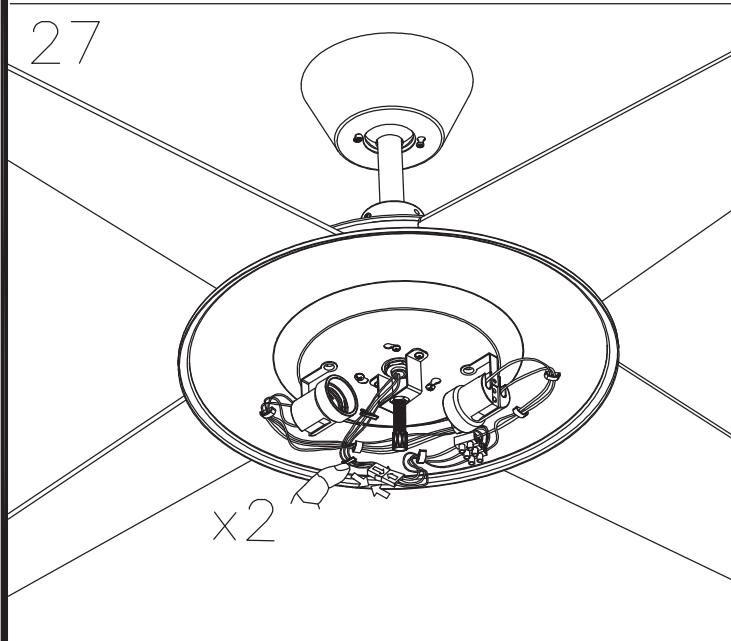
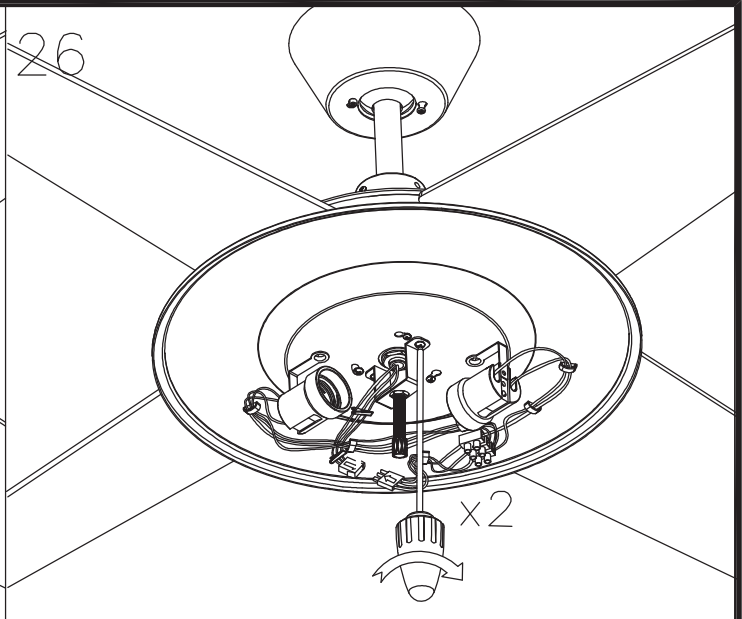
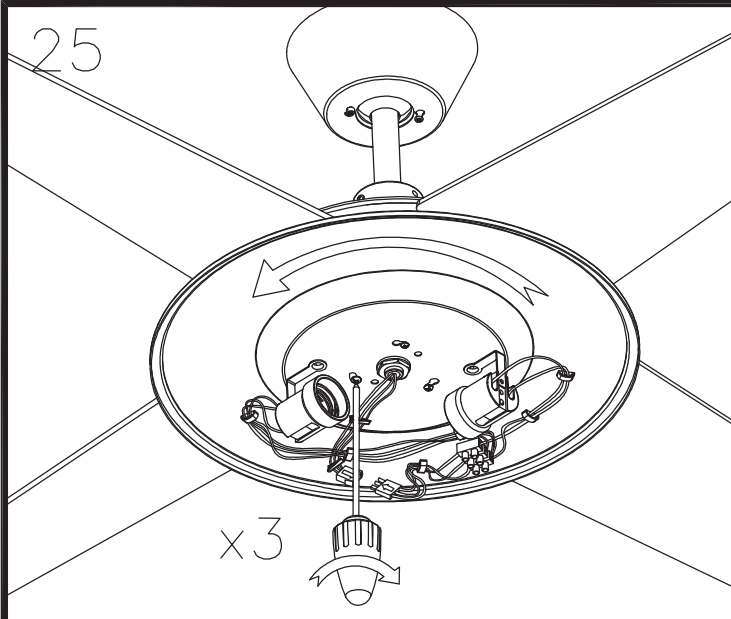


**23**



**24**

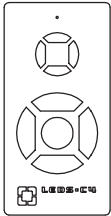
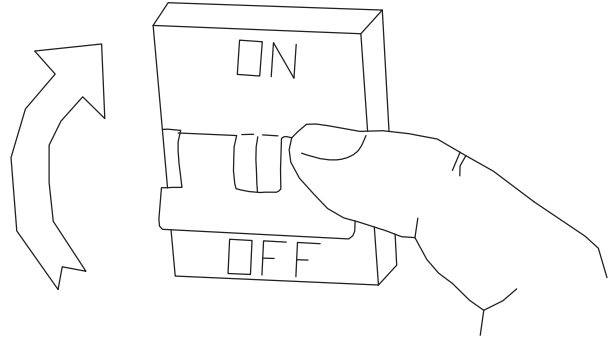
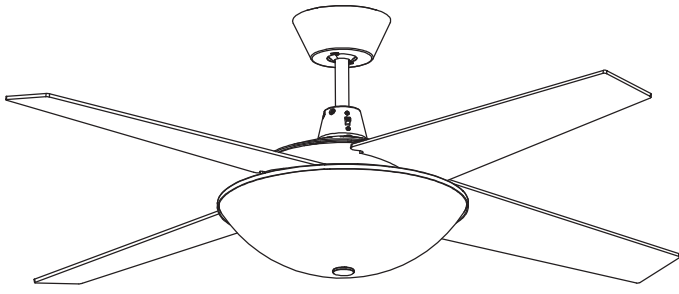




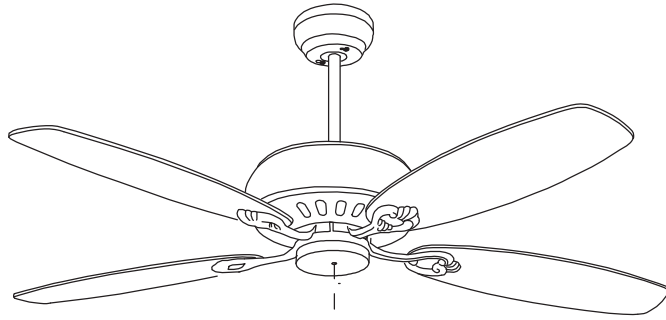




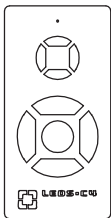
LED5-C4



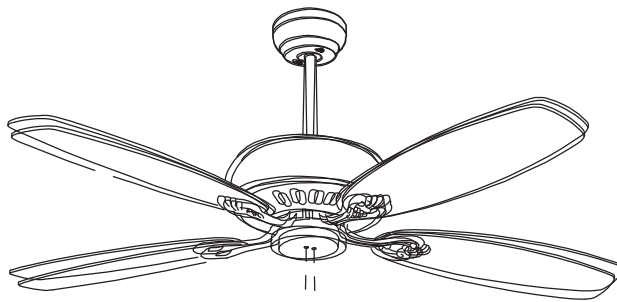
ON



≡ OK



ON



≡ NO

