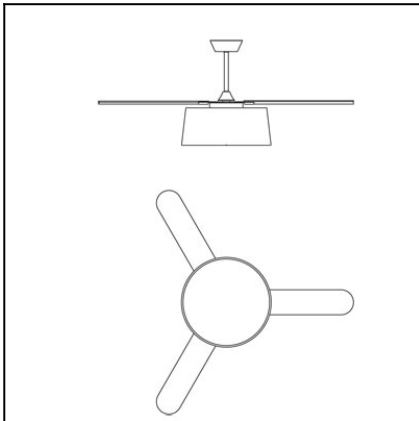




The photograph may not match the reference exactly. Please read the product description to identify the finish.



TECHNICAL CHARACTERISTICS

Type:	Fan
RPM:	80/140/190
IP Protection degrees:	IP20
Lampholder:	3 x E27 3 x E27
Power (W):	E27 60 W E27 18 W
Voltage / Frequency:	230V/50Hz
Units per box:	1
Net Weight (Kg):	6.37
EAN:	8435111076934



MATERIALS / FINISHES

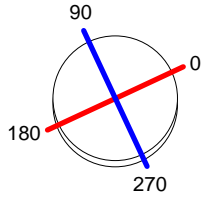
Structure material:	Steel
Structure finish:	Satin nickel
Blades material:	Plywood
Blades finishes:	Textured grey Wenge-painted finish

[Download photometric file .ldt /.ies](#)

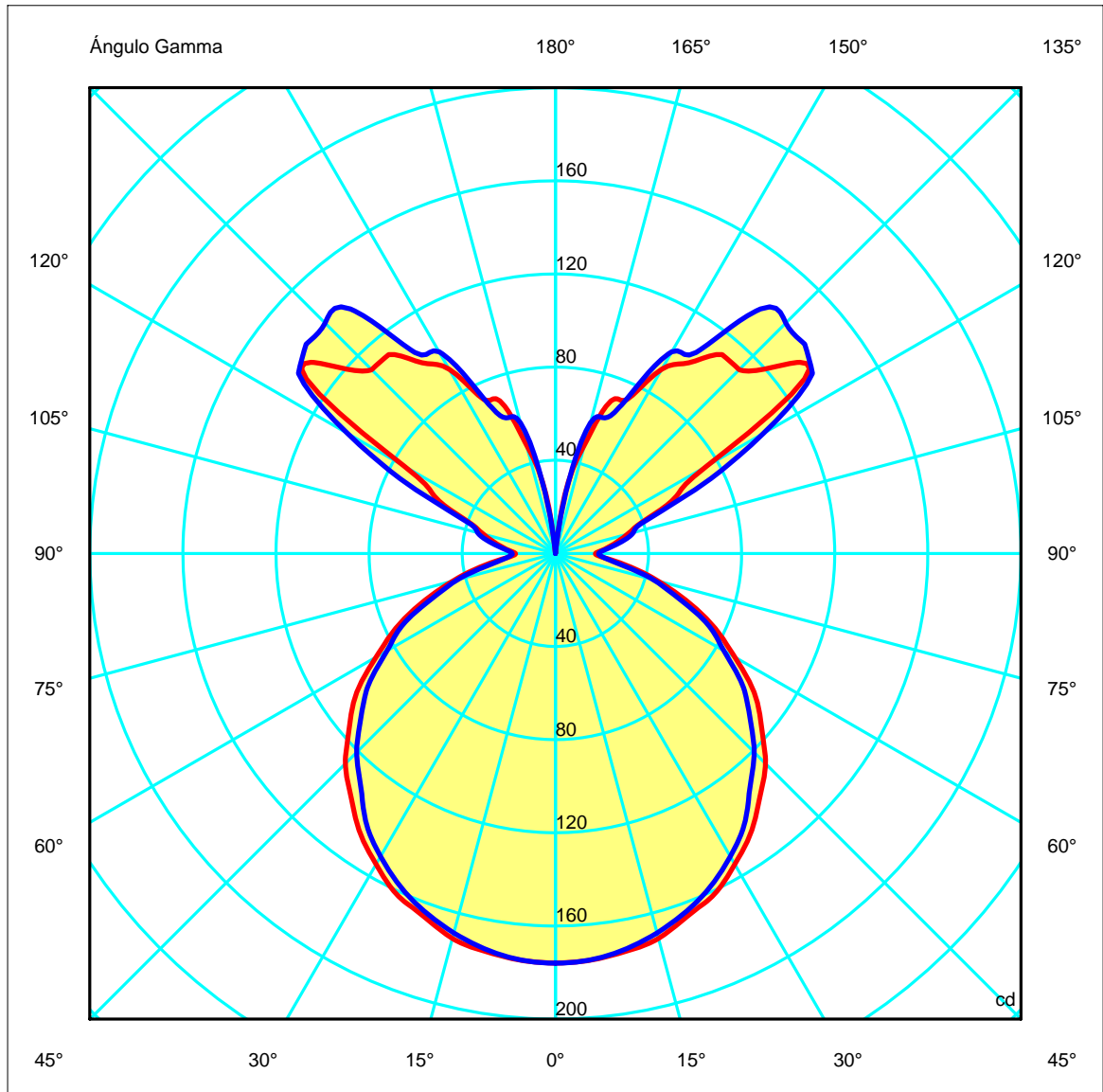
Luminaria		Ensayo		Lámpara	
Código	30-4357-81-82	Código	30-4357-81-82	Código	CLAS A CL 60
Nombre	Colgante 3x60W incan. E27 opal	Nombre	Colgante 3x60W incand E27 opal	Número	3
Familia	- LEDS-C4	Fecha	05-10-2010	Posición	Universal
Eficiencia	45.69%	Sist. de Coorden.	C-G	Flujo Total	2130.00 lm
Valor Máximo	175.92 cd	Posición	C=0.00 G=0.00	Bisimétrico	

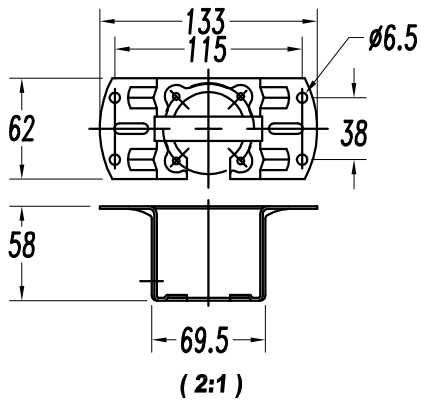
Diam=460mm

Semiplanos C

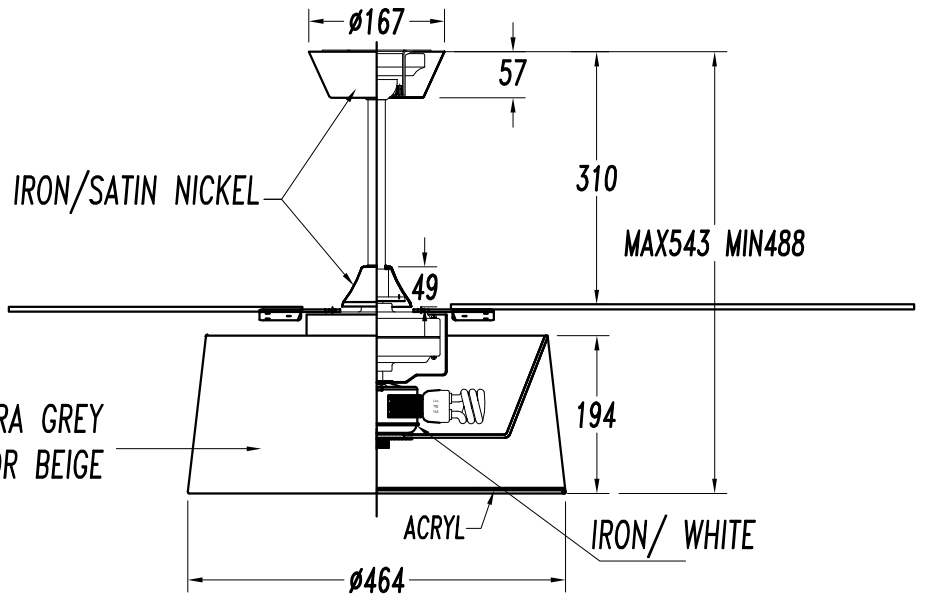


180.0 ——— 0.0
270.0 ——— 90.0

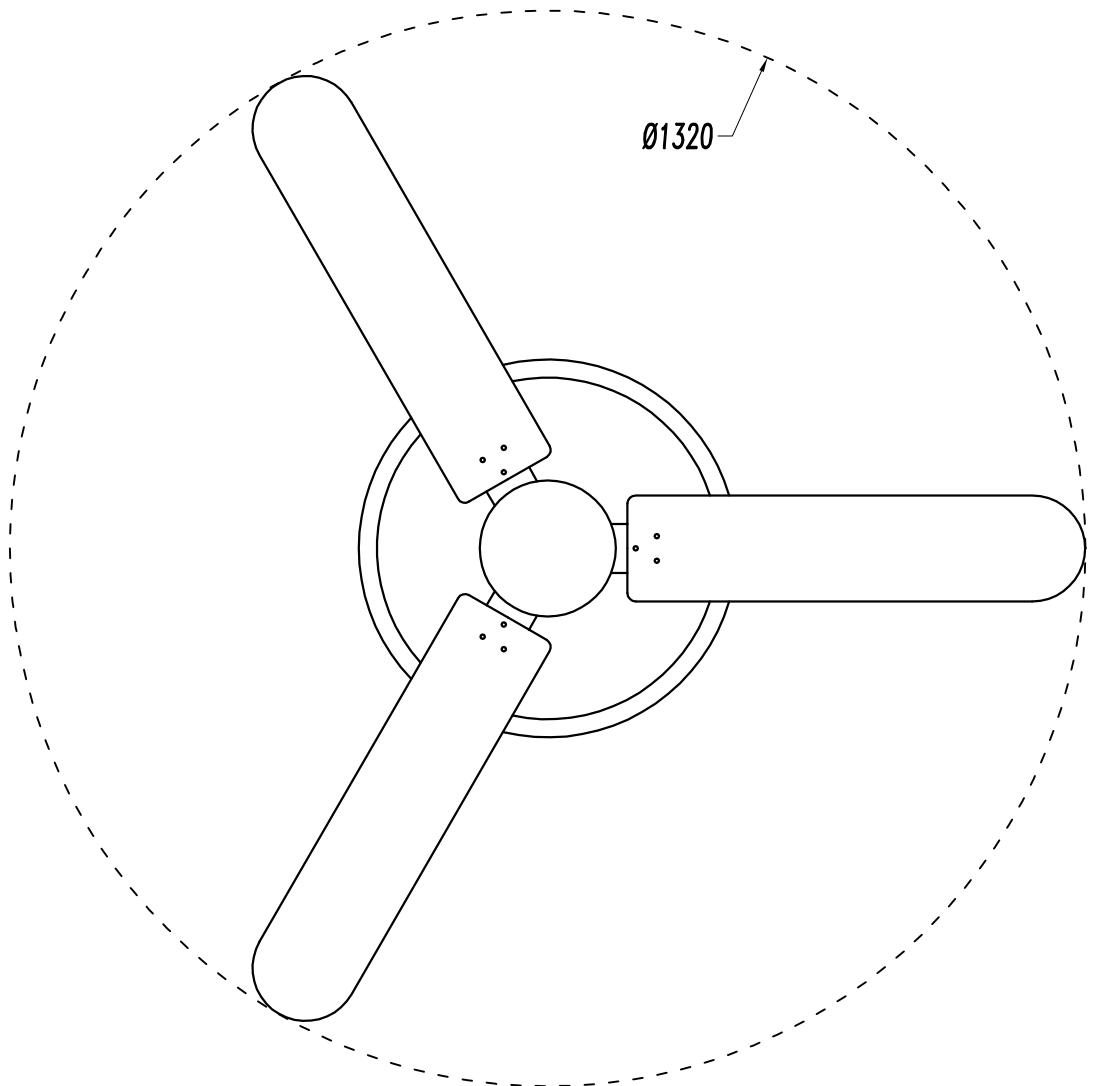
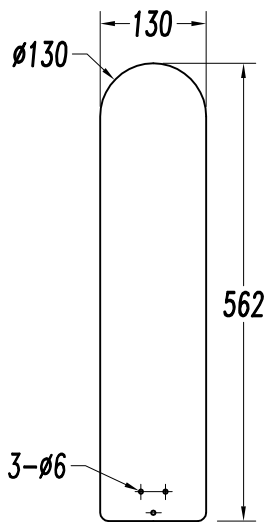




FABRIC SHADE / OPERA GREY
OR BEIGE



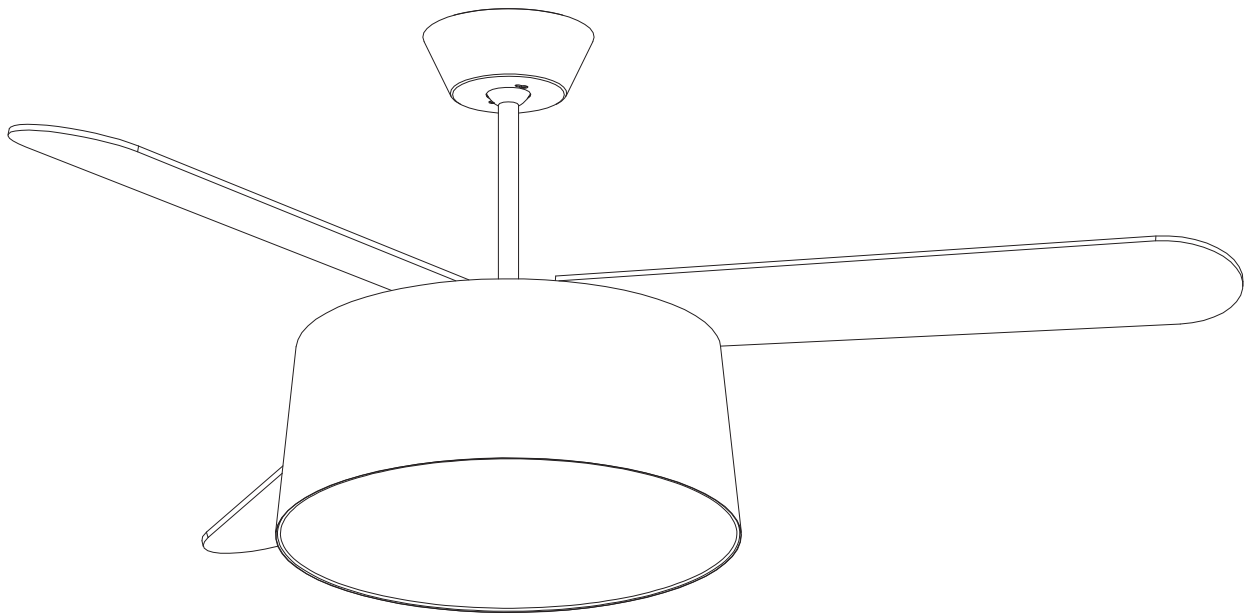
WOOD / GREY&WEBGE

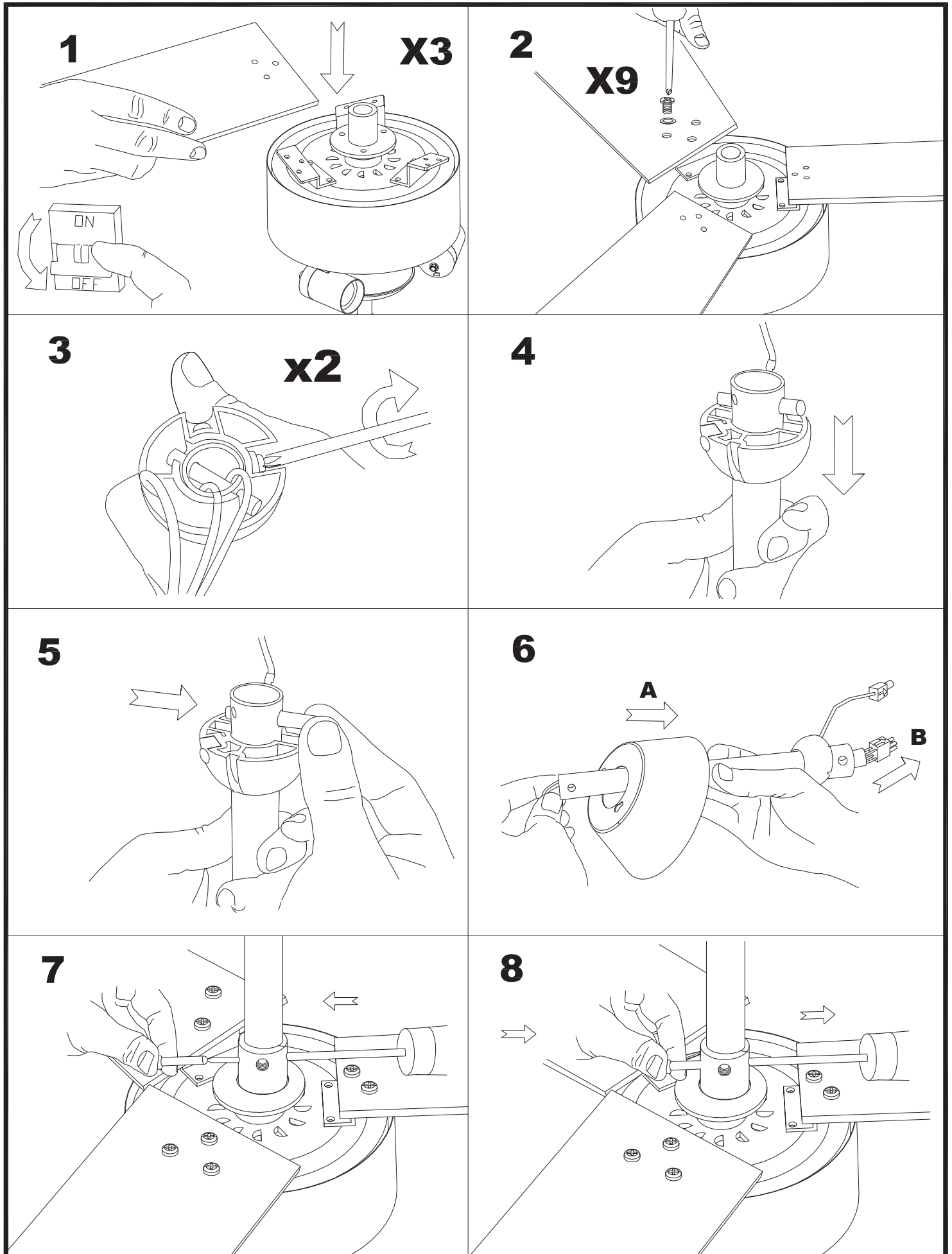


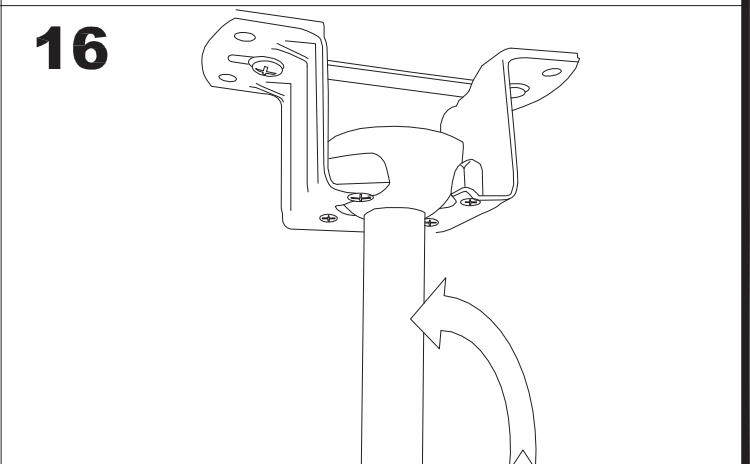
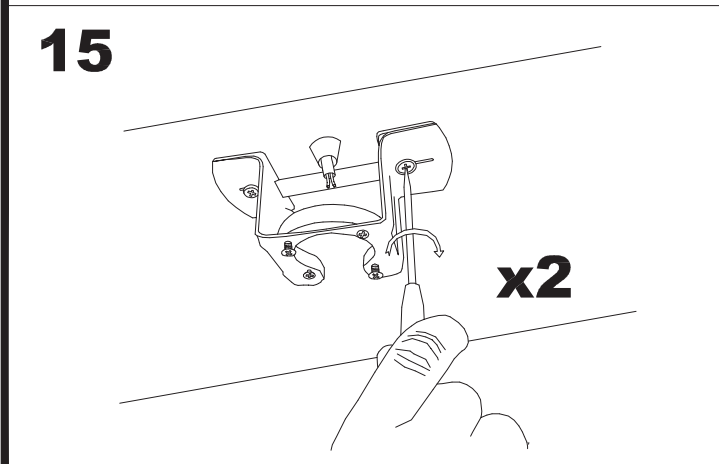
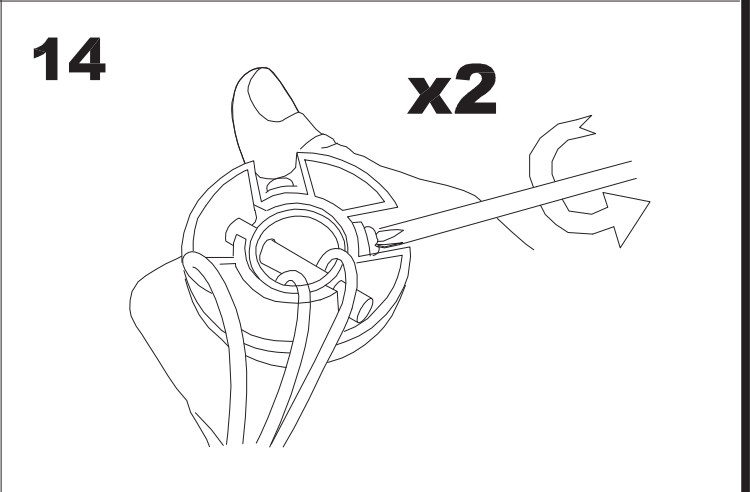
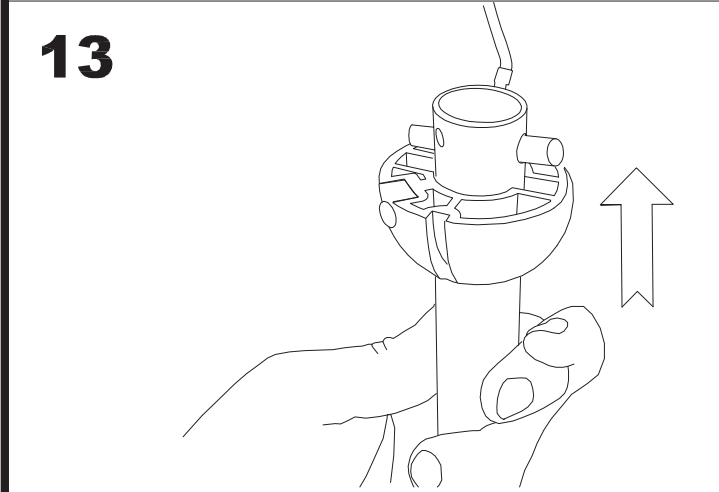
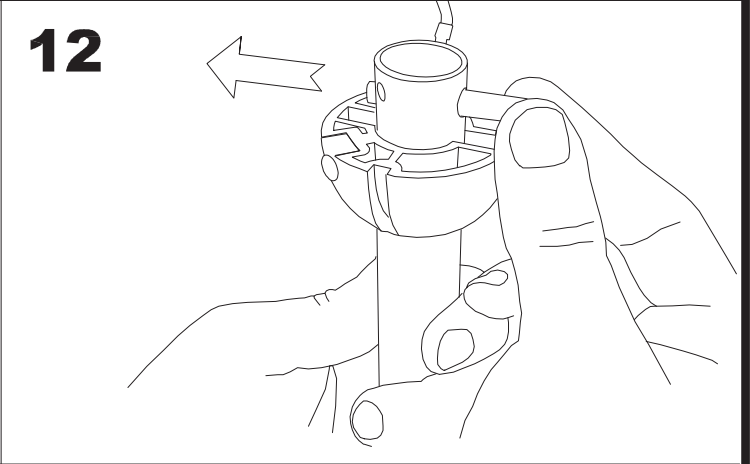
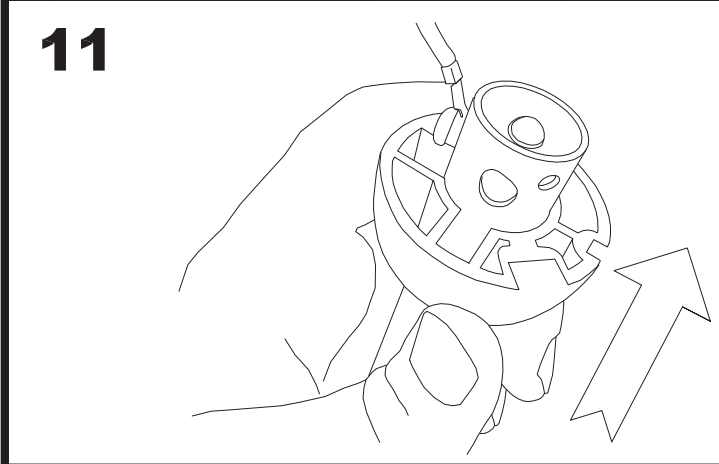
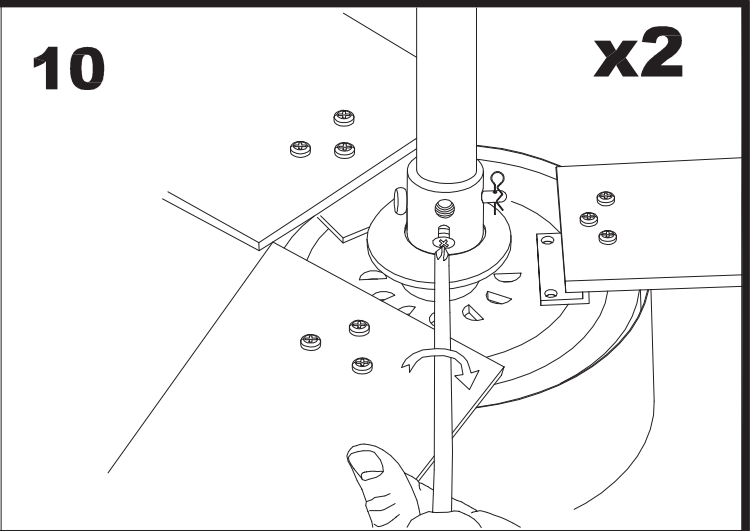
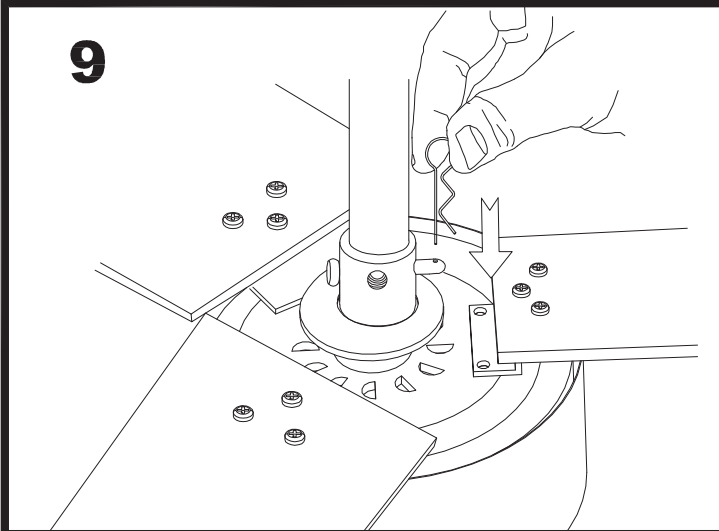


LED S-C4

30-4357-81-82

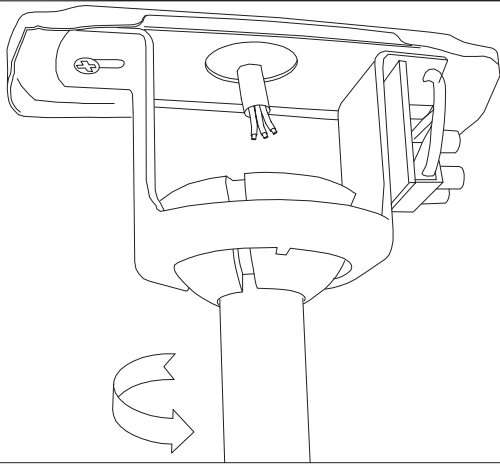




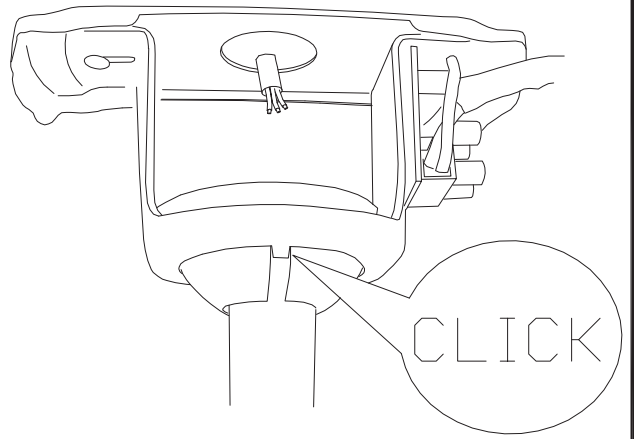




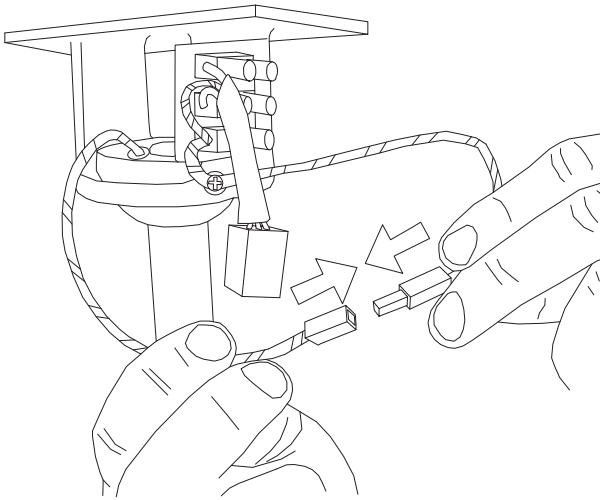
17



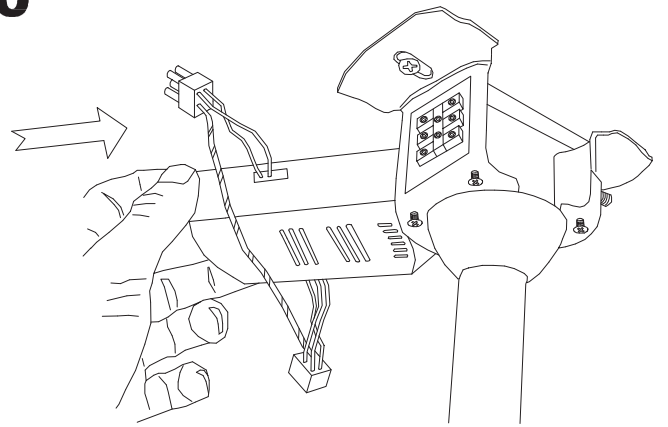
18



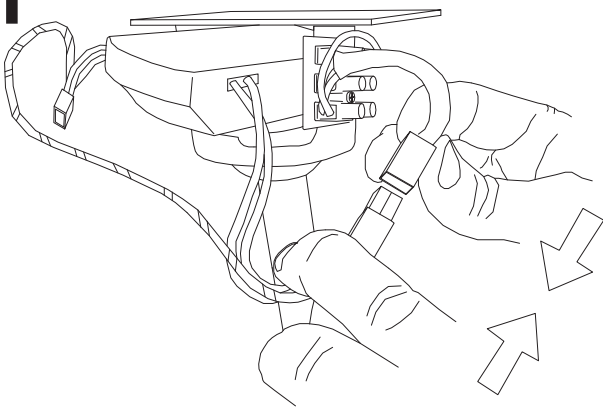
19



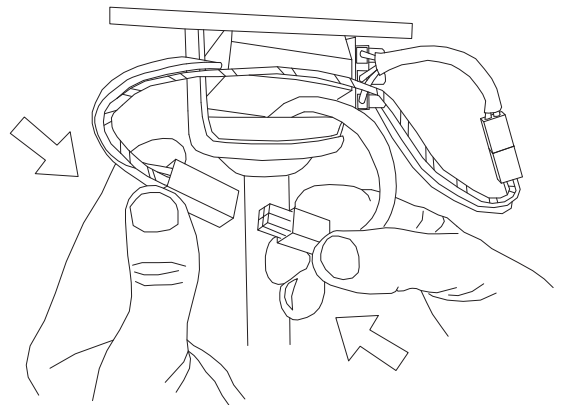
20



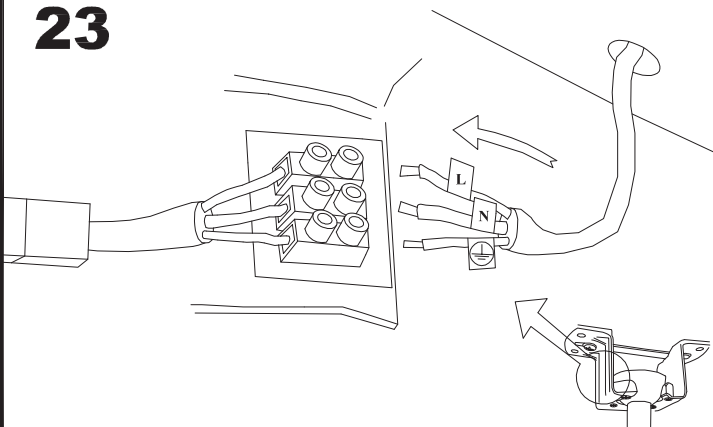
21



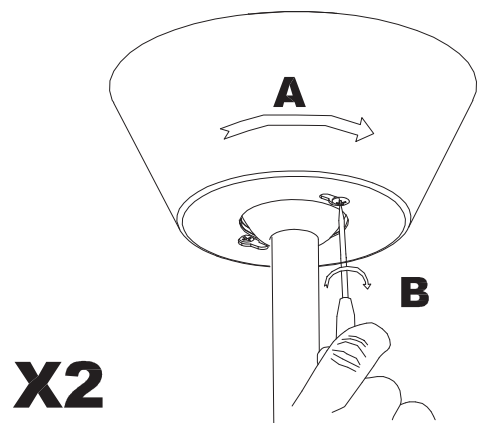
22

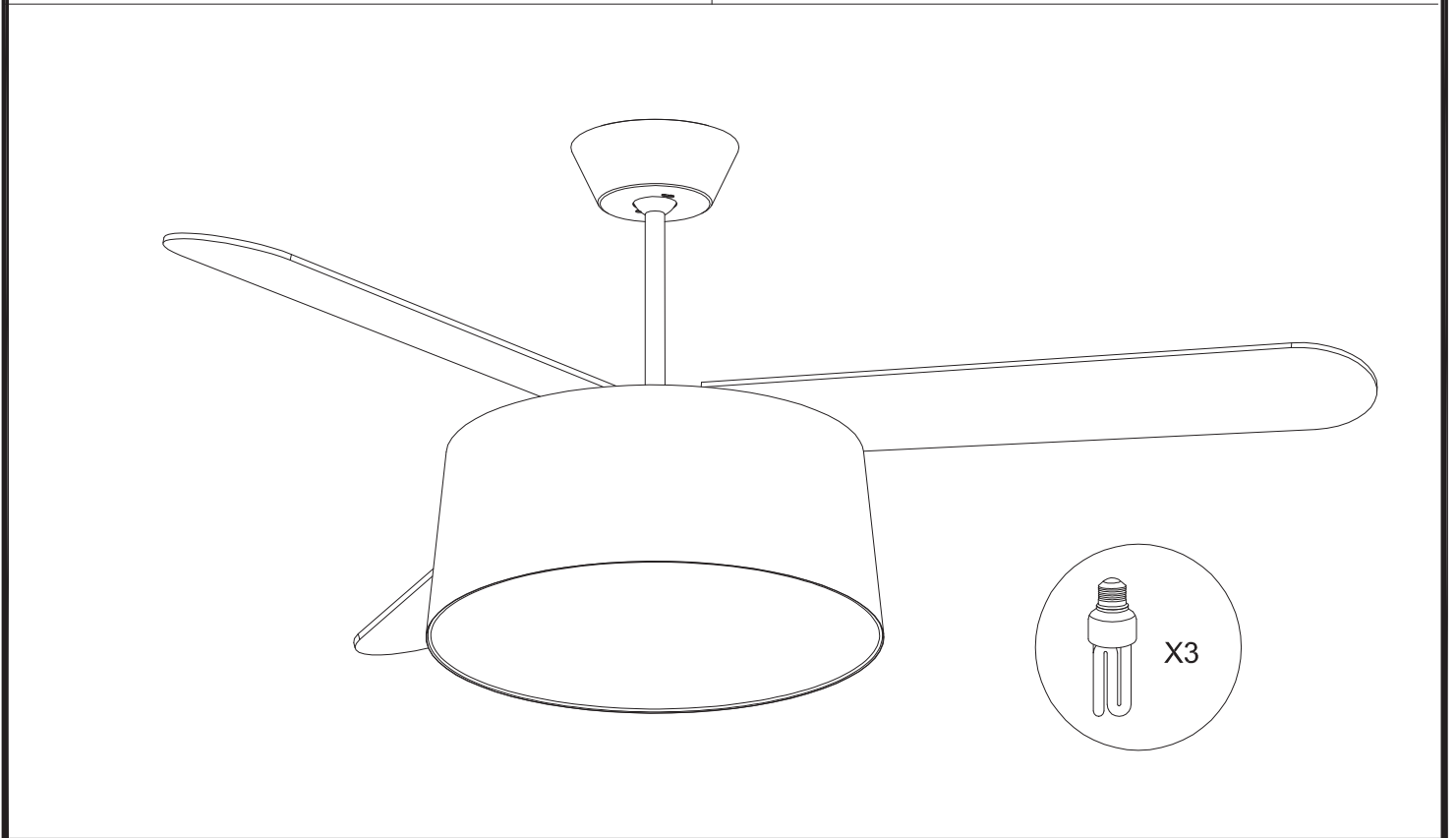
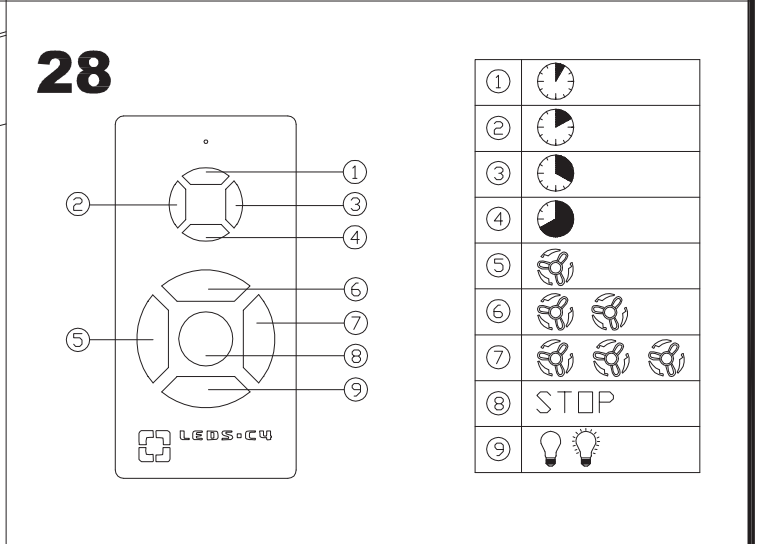
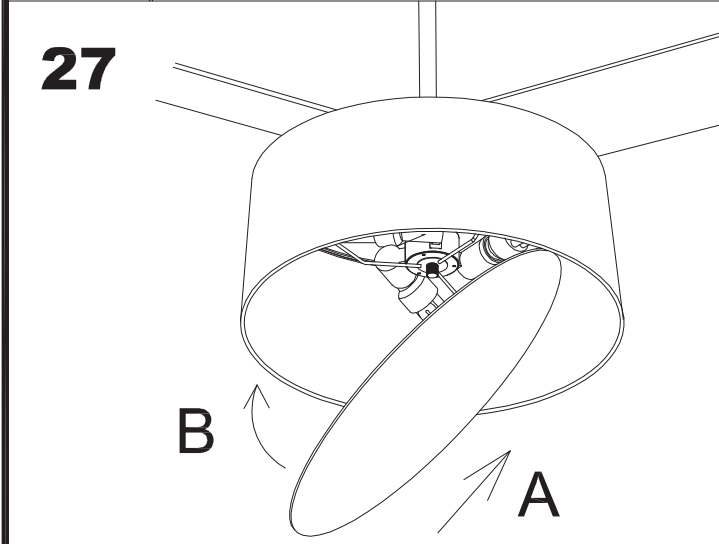
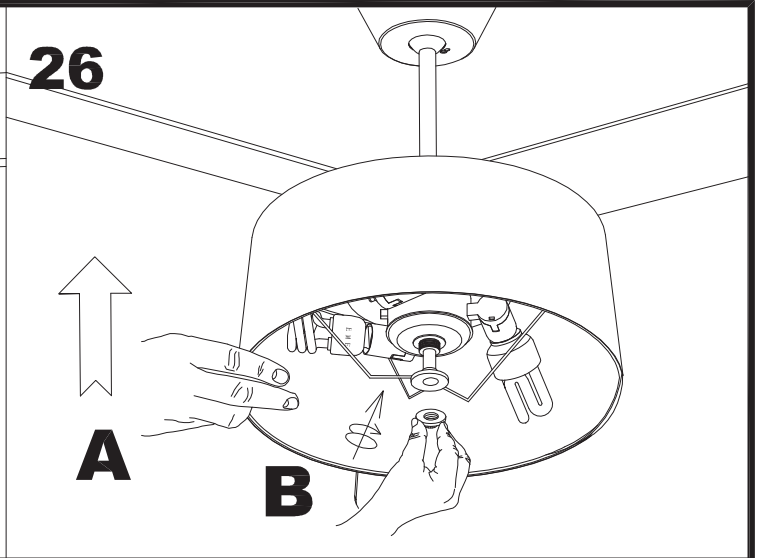
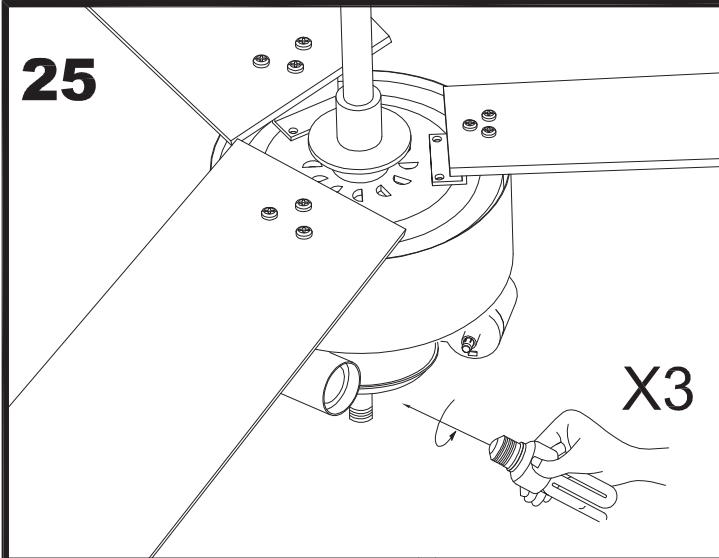


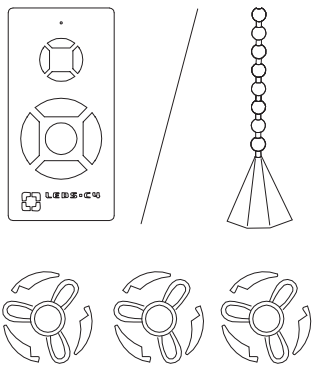
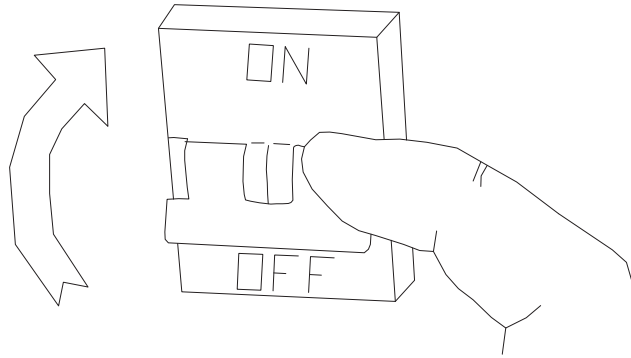
23



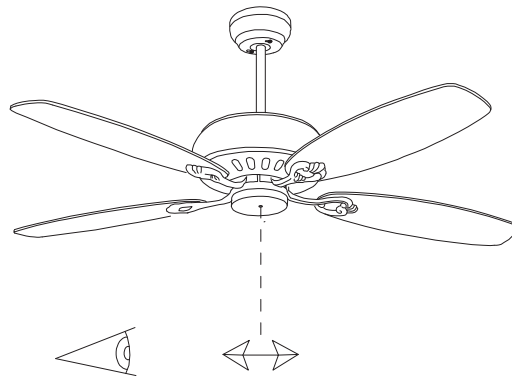
24



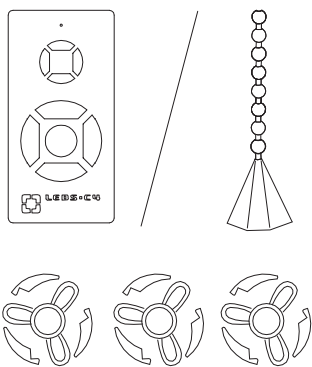




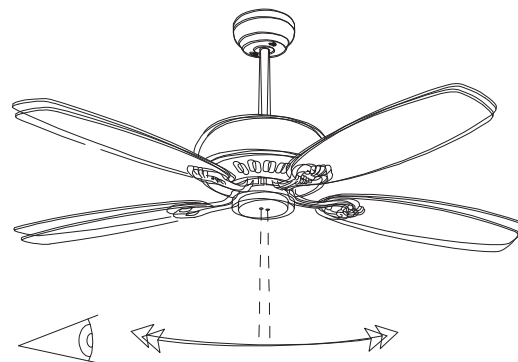
ON



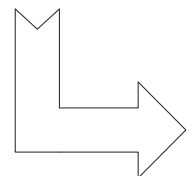
OK

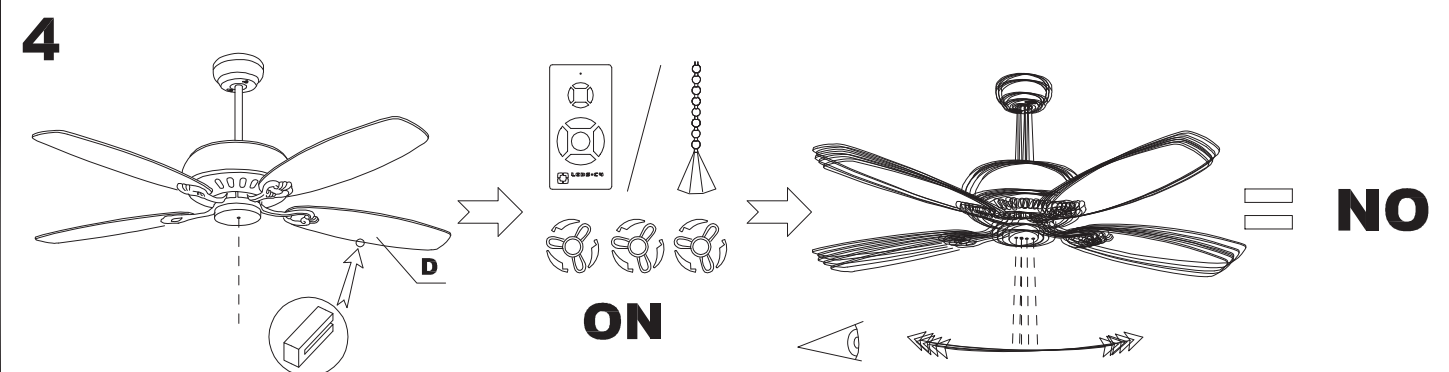
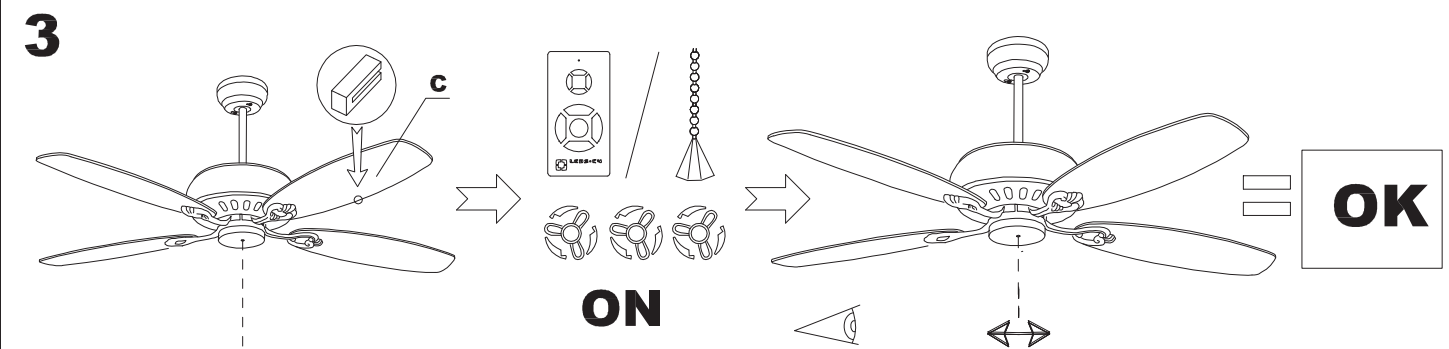
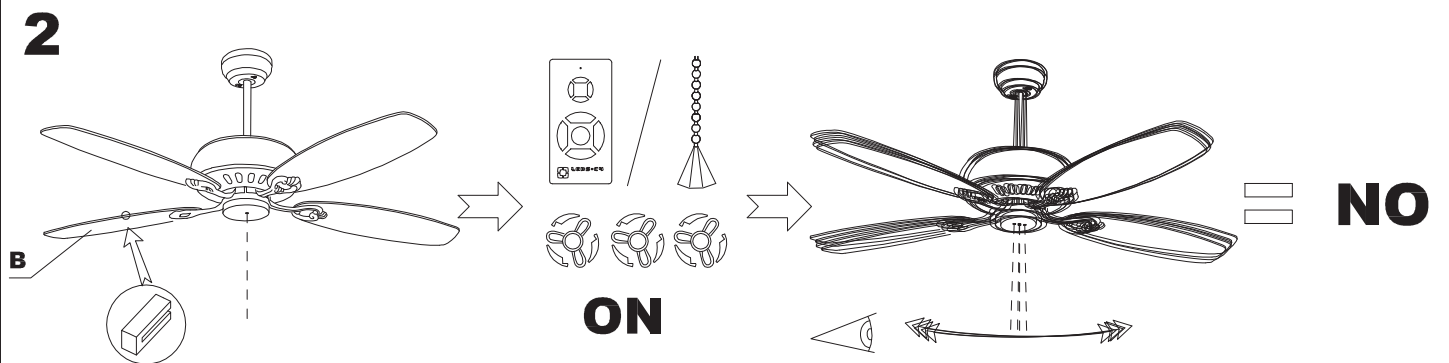
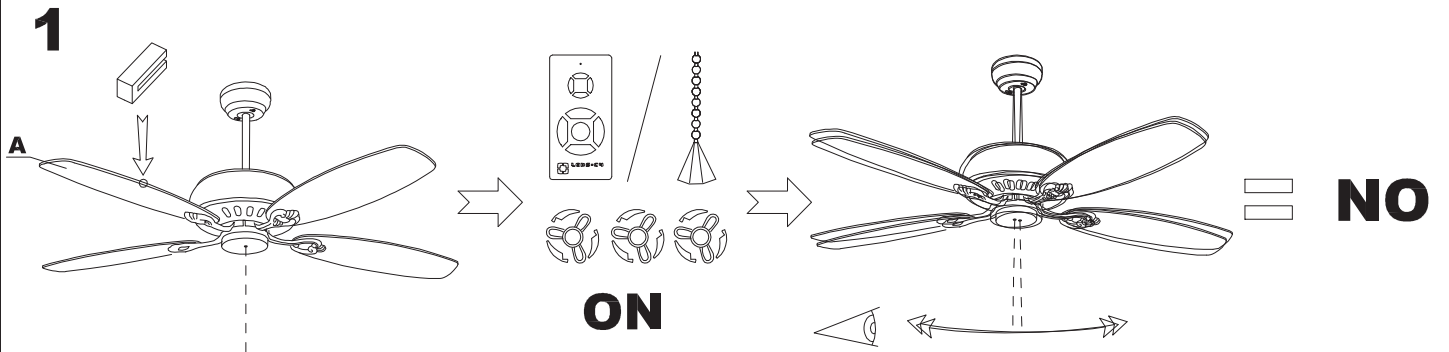
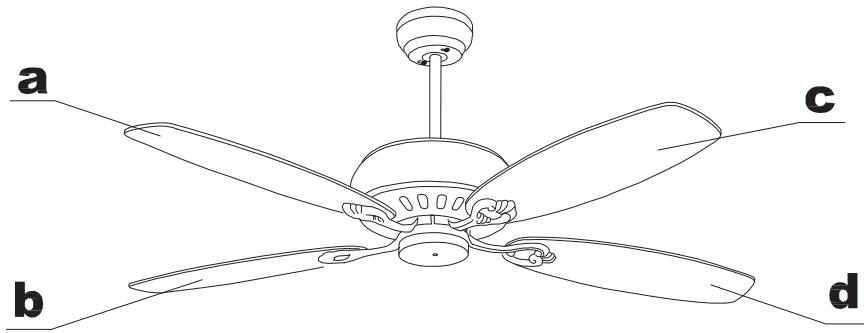


ON

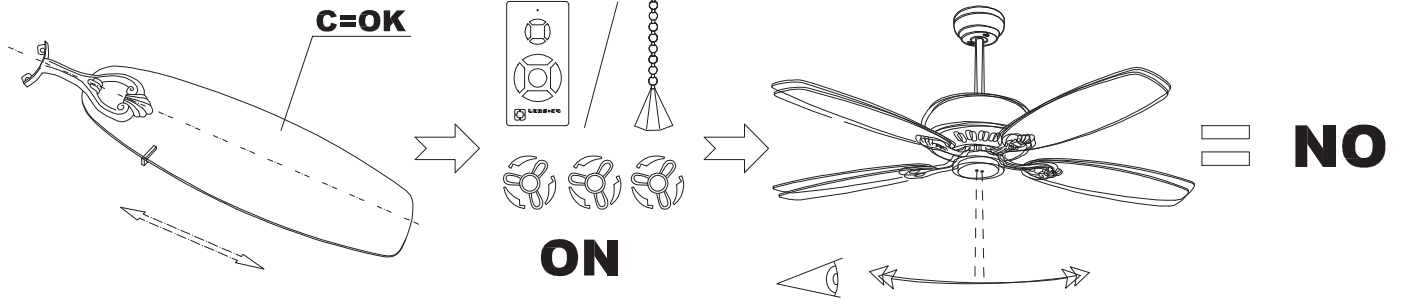


NO

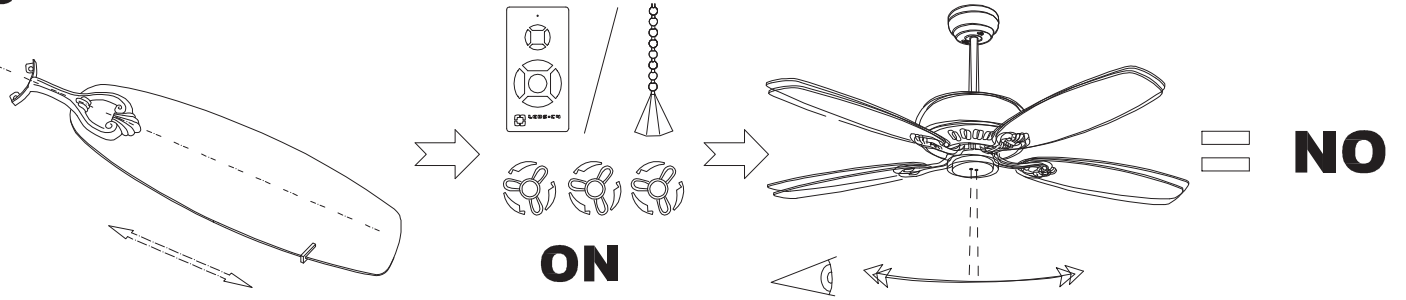




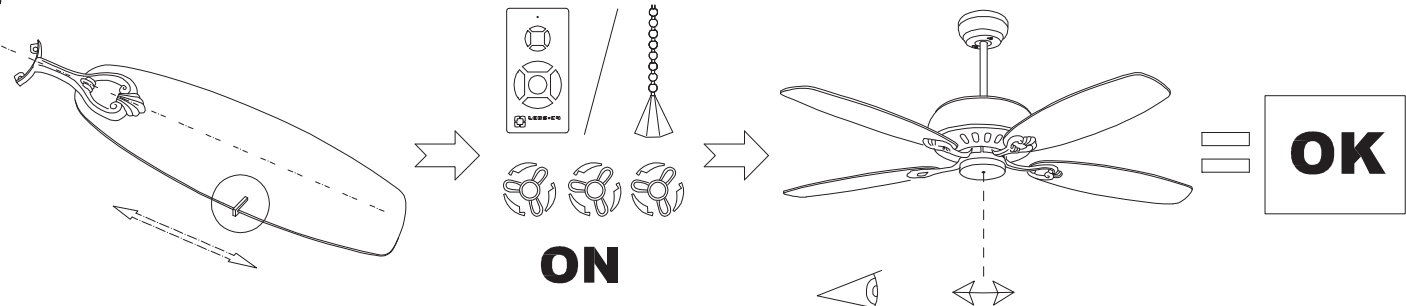
5



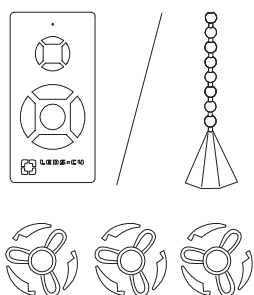
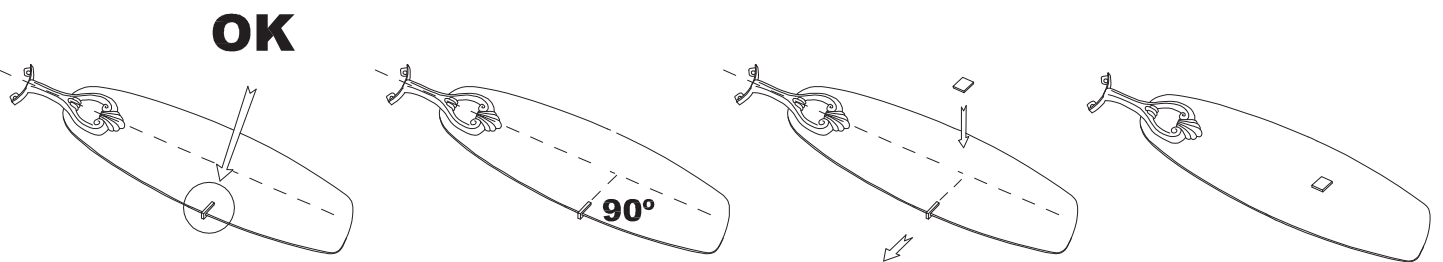
6



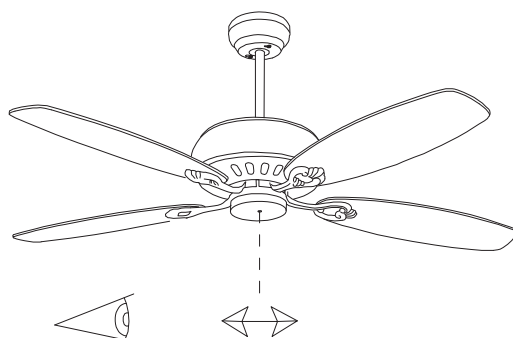
7



8



ON



OK