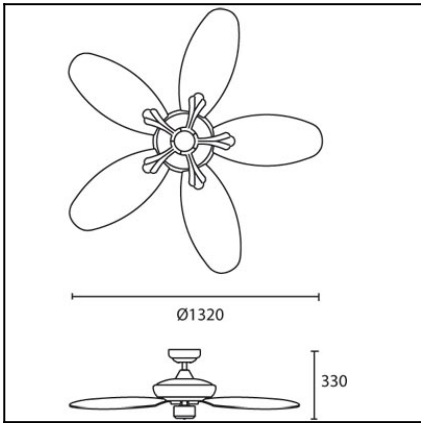




The photograph may not match the reference exactly. Please read the product description to identify the finish.



Download photometric file .ldt /.ies

TECHNICAL CHARACTERISTICS

| | |
|------------------------|--------------------|
| Type: | Fan |
| RPM: | 80/120/175 |
| IP Protection degrees: | IP23 |
| Lampholder: | 2 x E27 2 x E27 |
| Power (W): | E27 18W E27 60W |
| Voltage / Frequency: | 230V/50Hz |
| Units per box: | 1 |
| Net Weight (Kg): | 8.36 |
| EAN: | 8435111082614 |
| CFM: | 4978.00 |



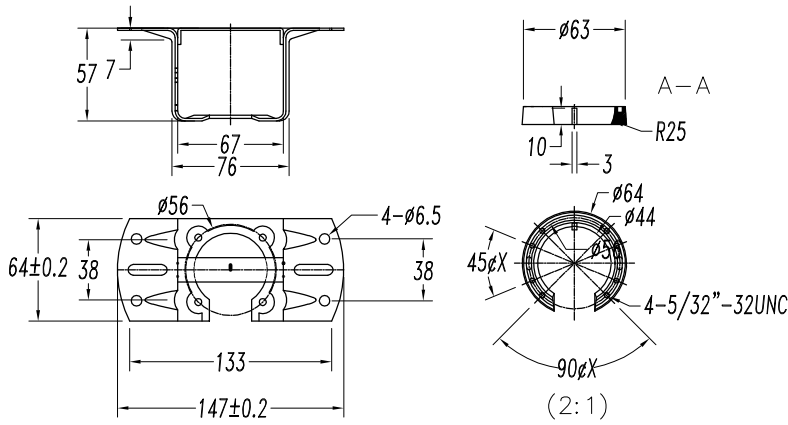
MATERIALS / FINISHES

| | |
|---|-----------------------------------|
| Structure material: Steel | Diffuser material: Glass |
| Structure finish: Copper-colored brown | Diffuser finish: Matt opal |
| Blades material: ABS | |
| Blades finishes: Copper-colored brown | |

71-4399-14-14

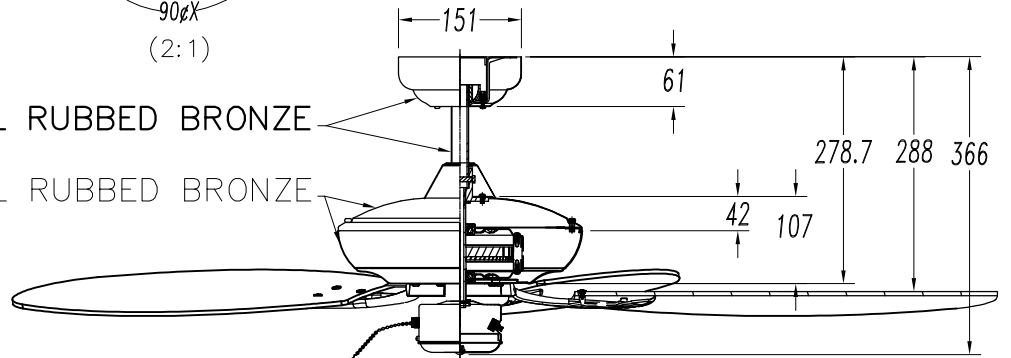


IP20



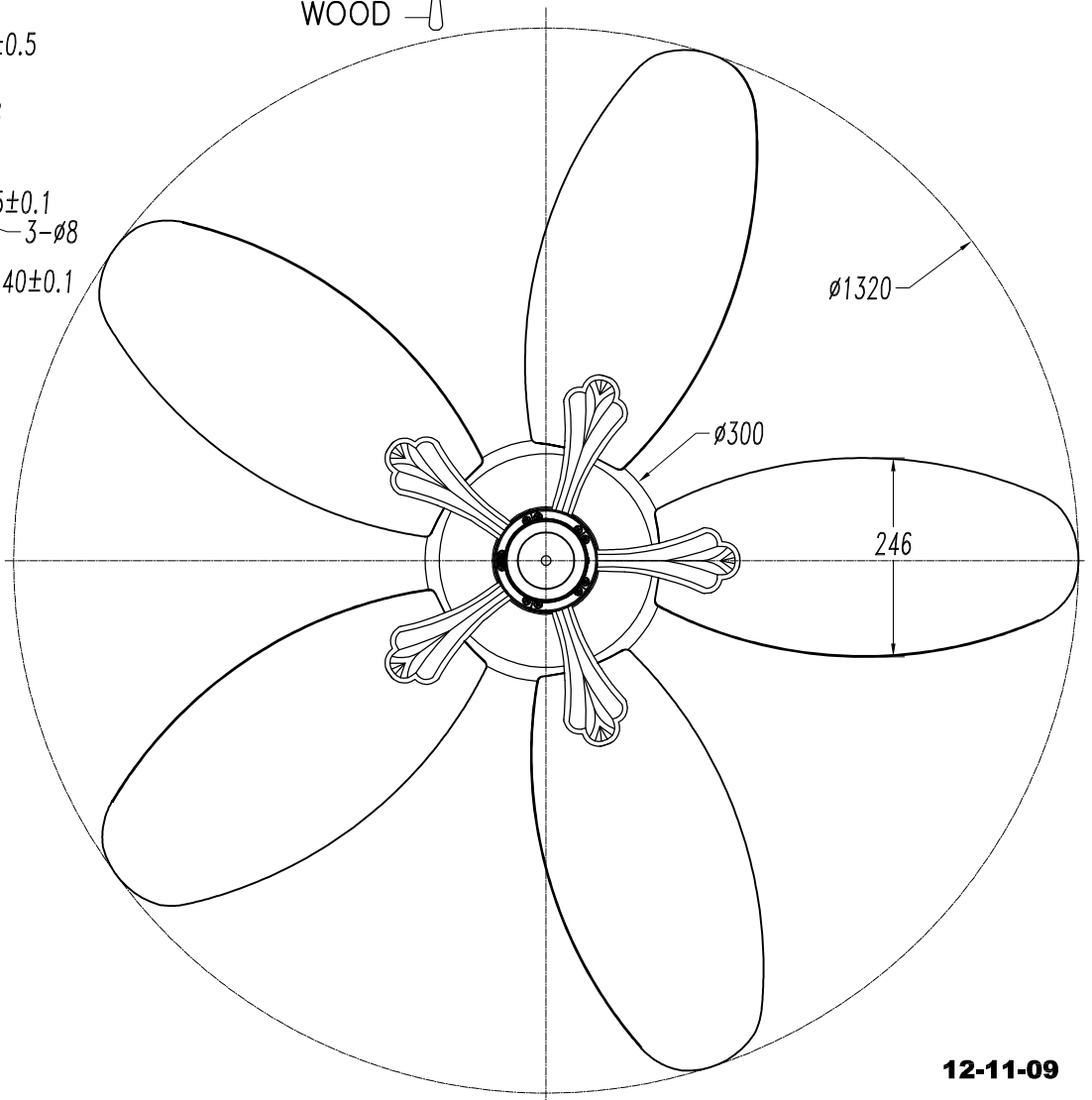
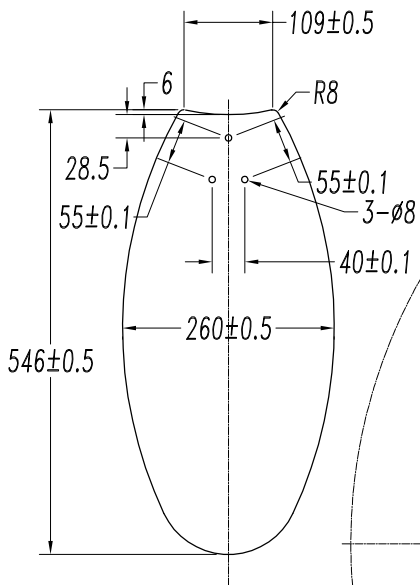
(2:1) IRON/OIL RUBBED BRONZE

IRON/OIL RUBBED BRONZE



WOOD

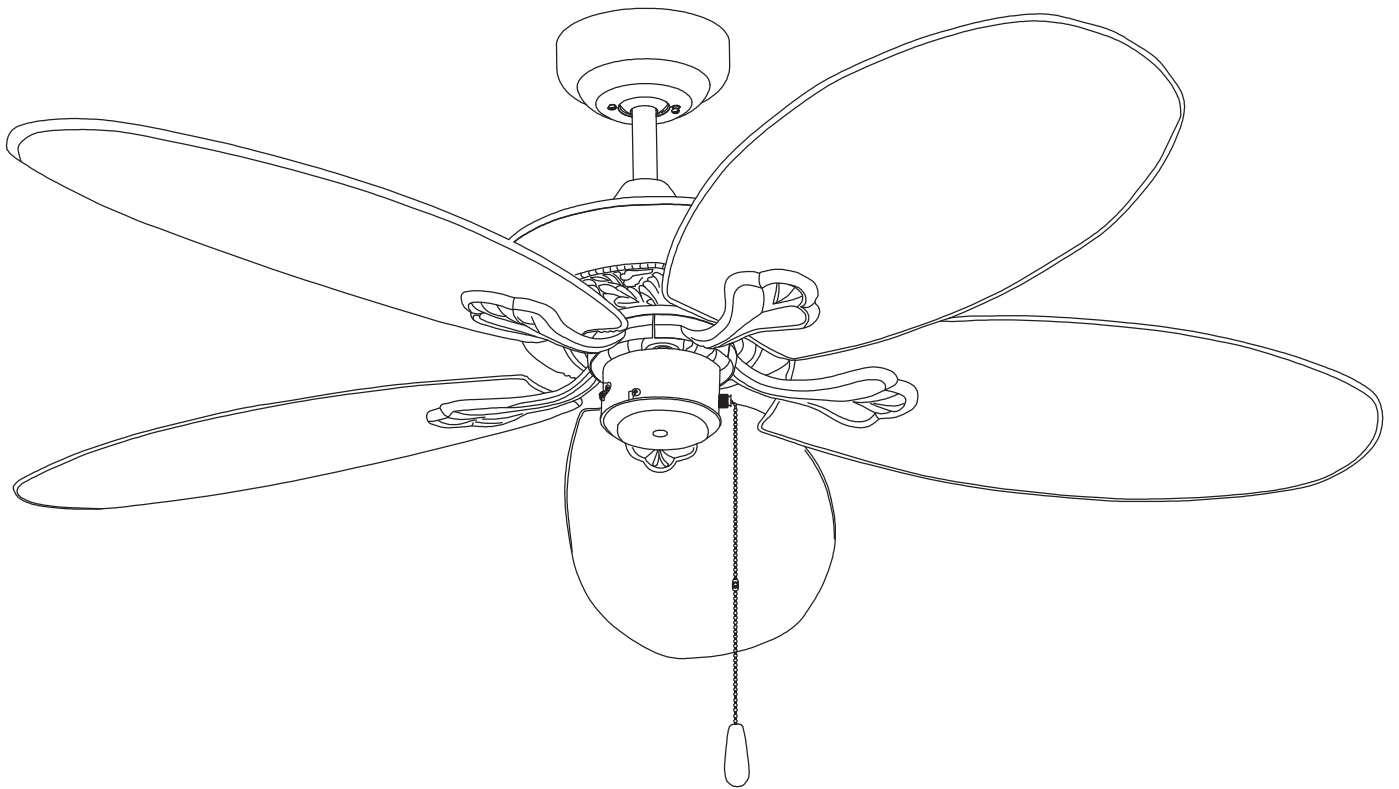
WOOD/OIL RUBBED BRONZE





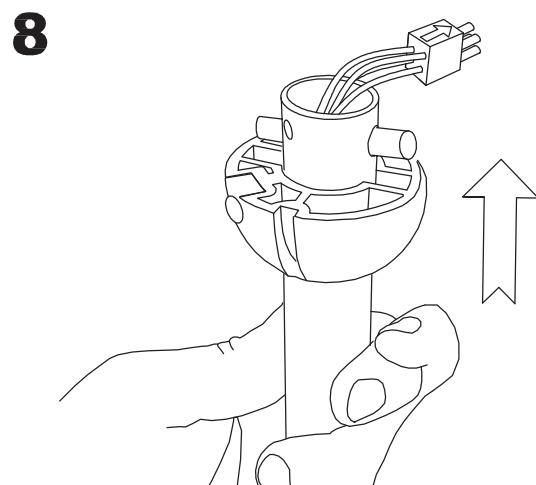
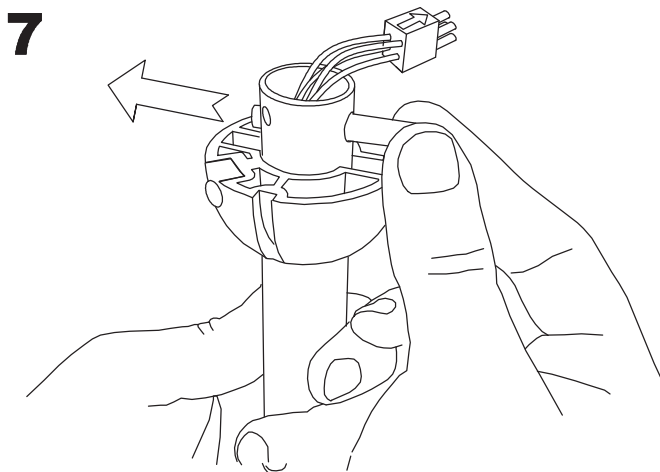
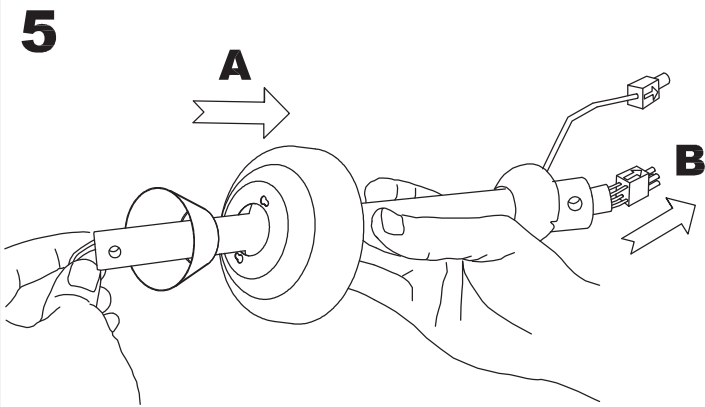
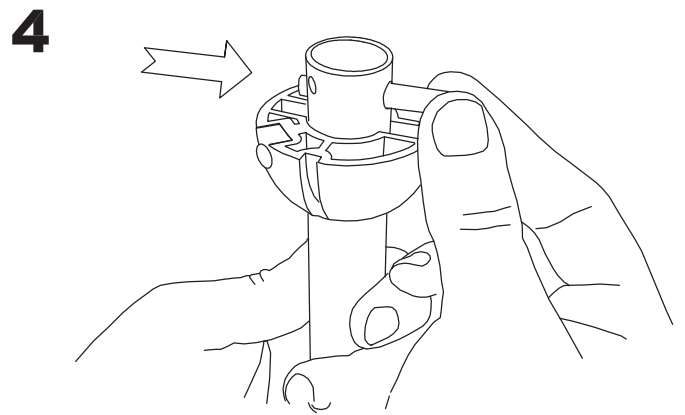
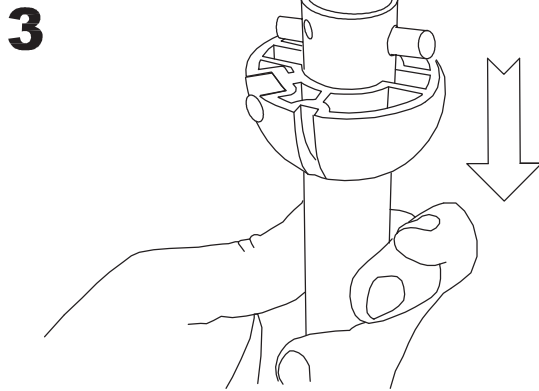
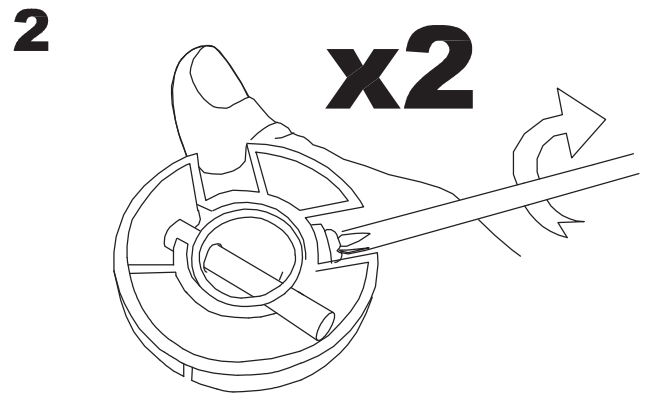
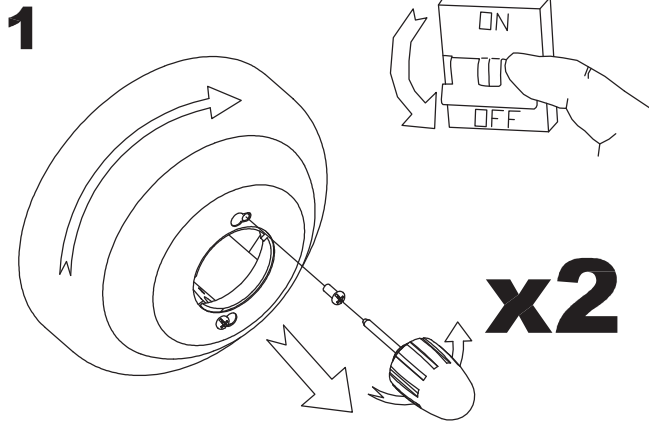
LED S-C4

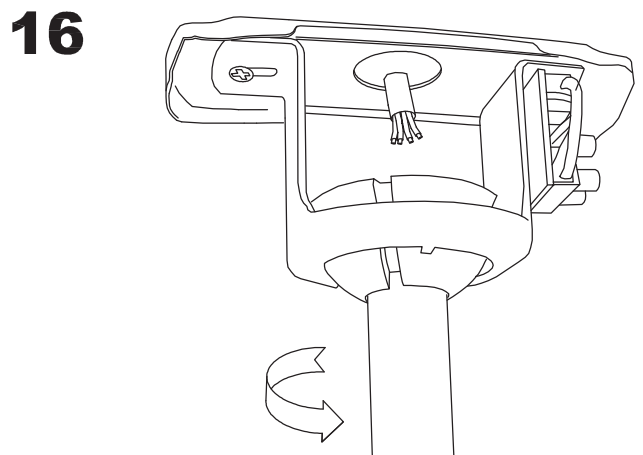
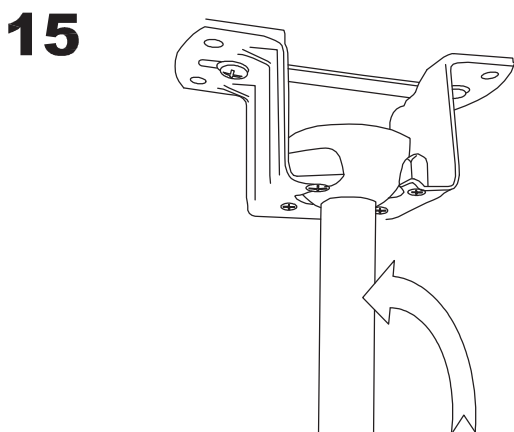
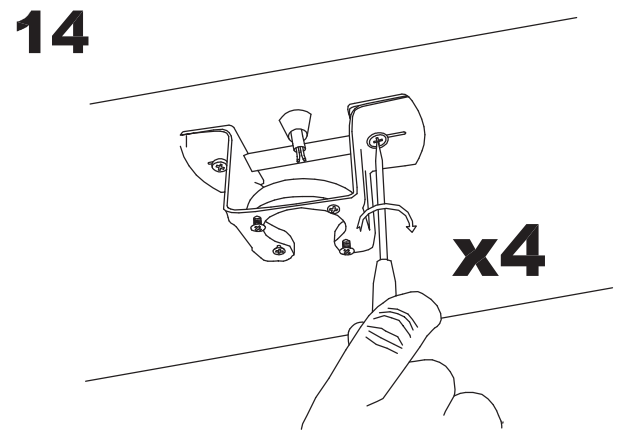
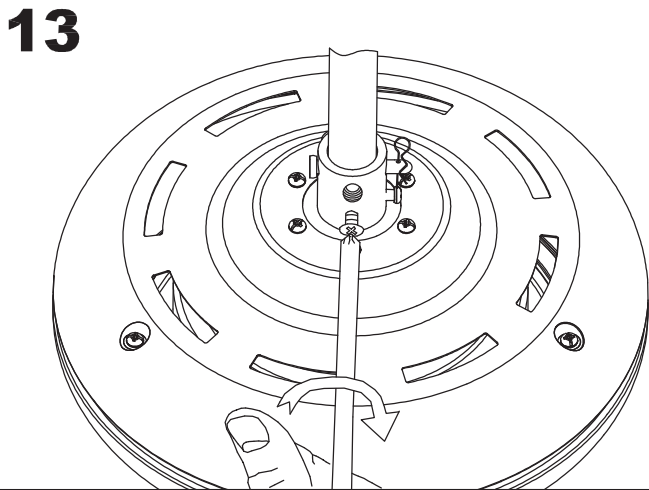
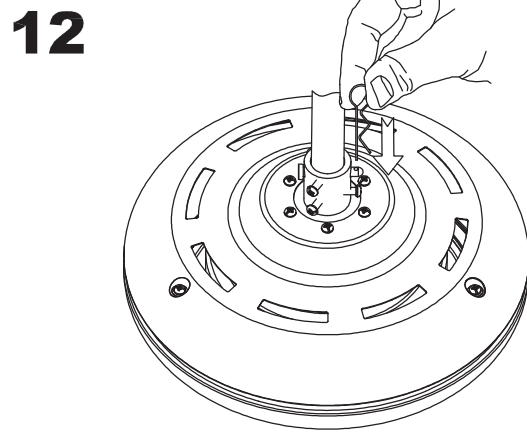
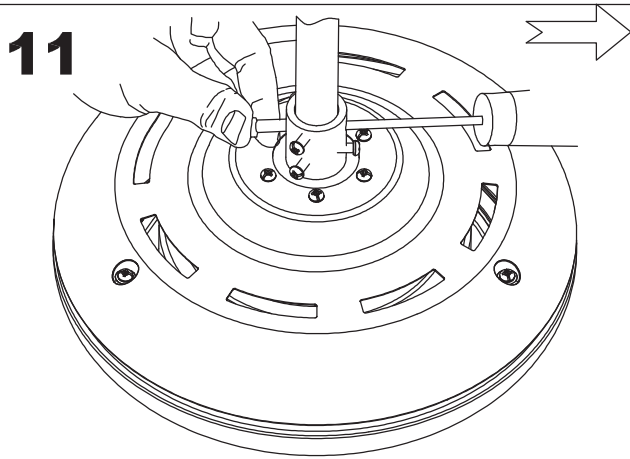
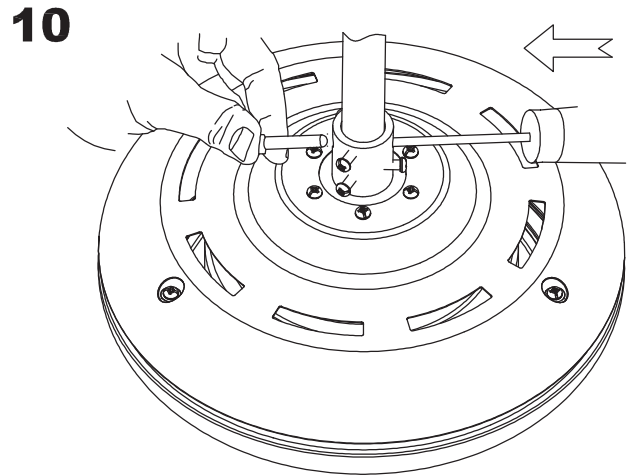
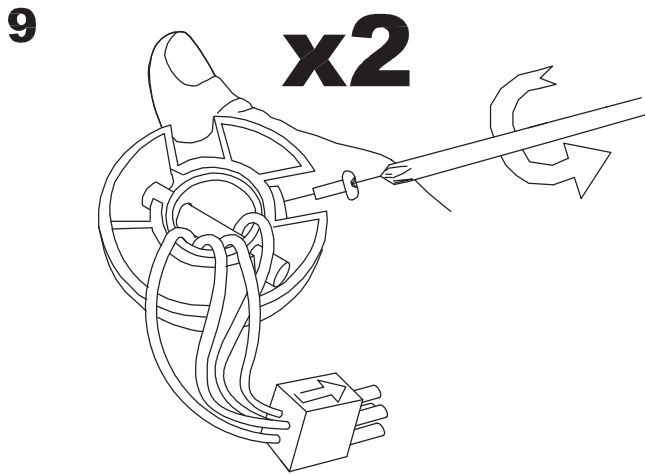
30-4398-J7-J7





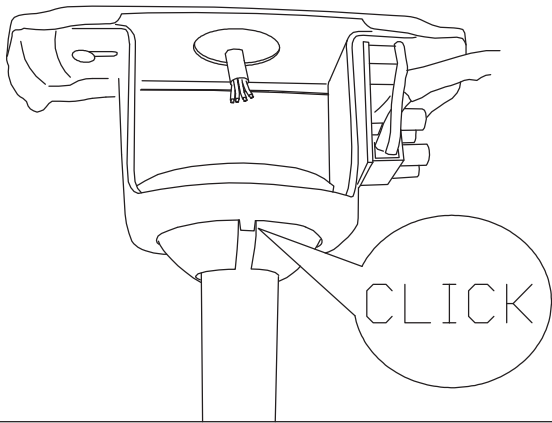
LED S-C4



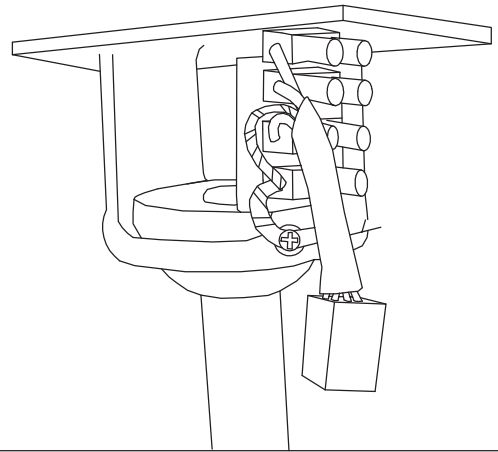




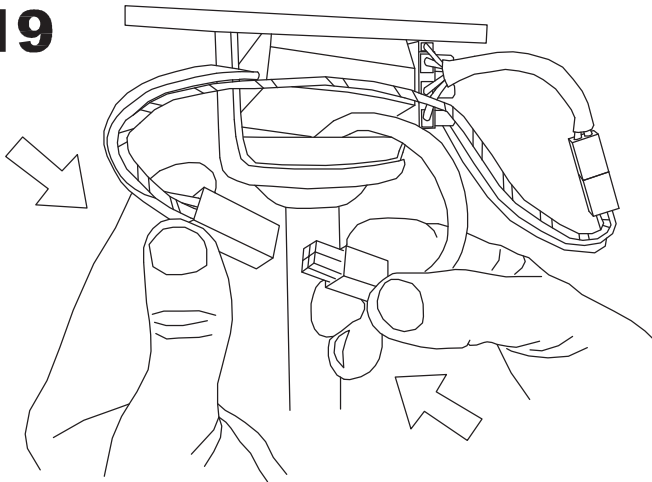
17



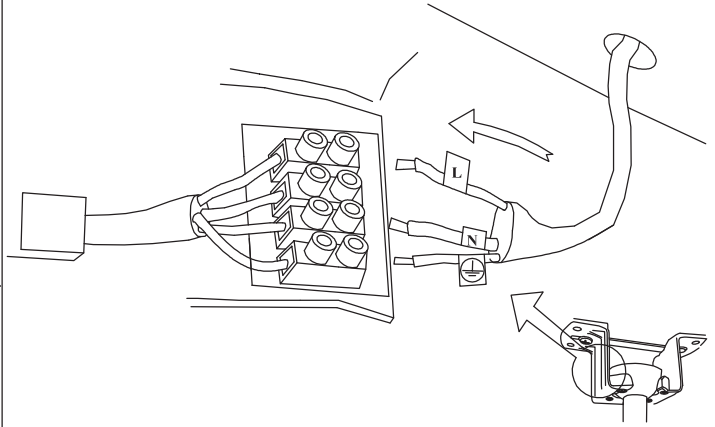
18



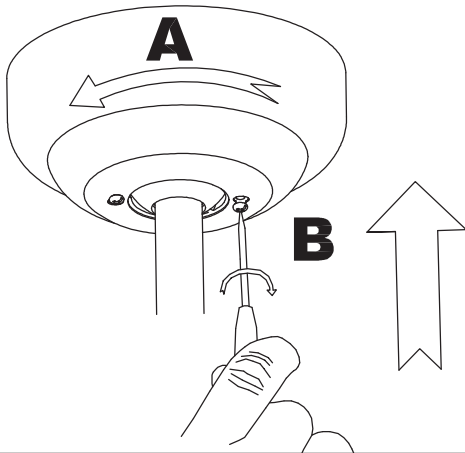
19



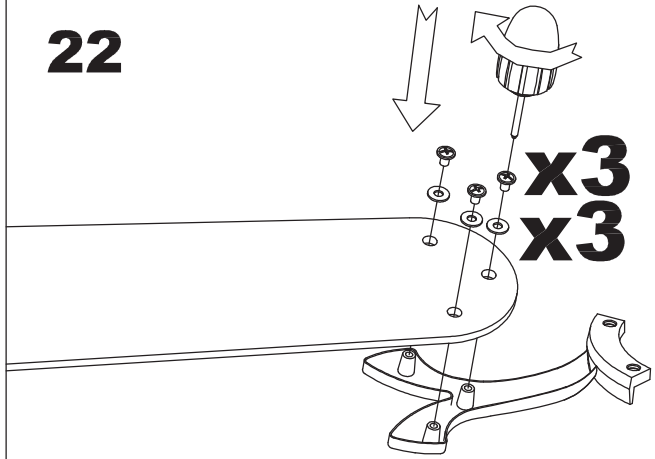
20



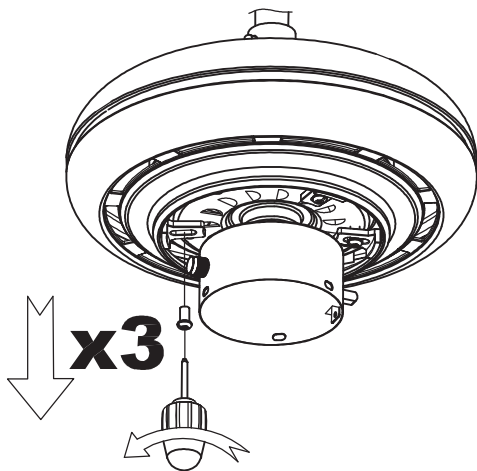
21



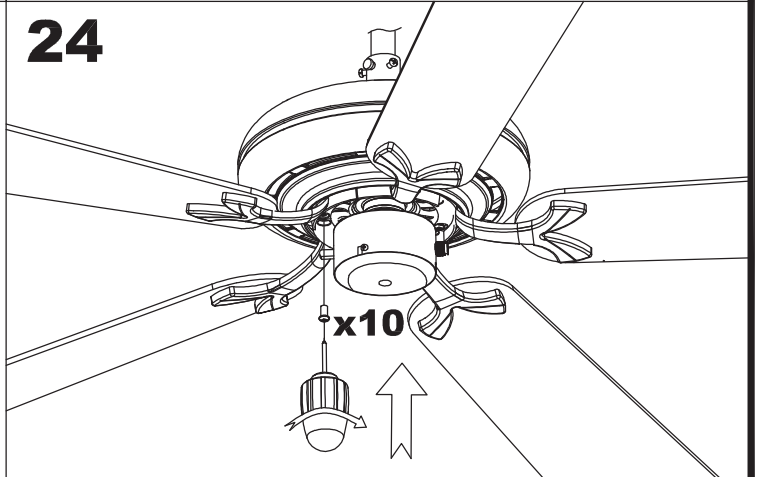
22

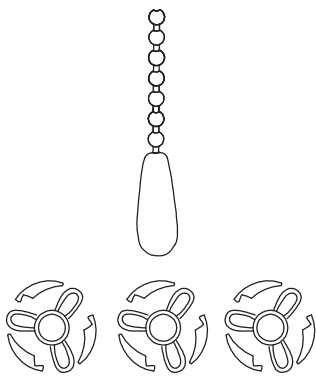
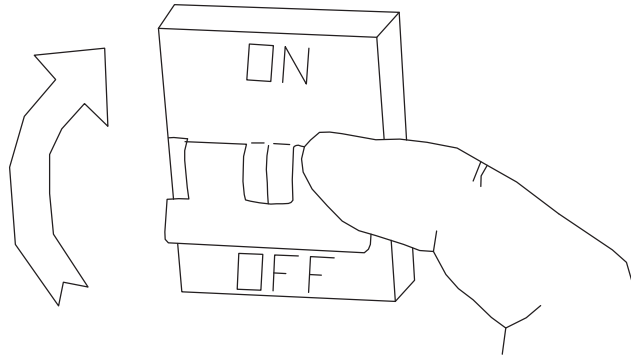


23

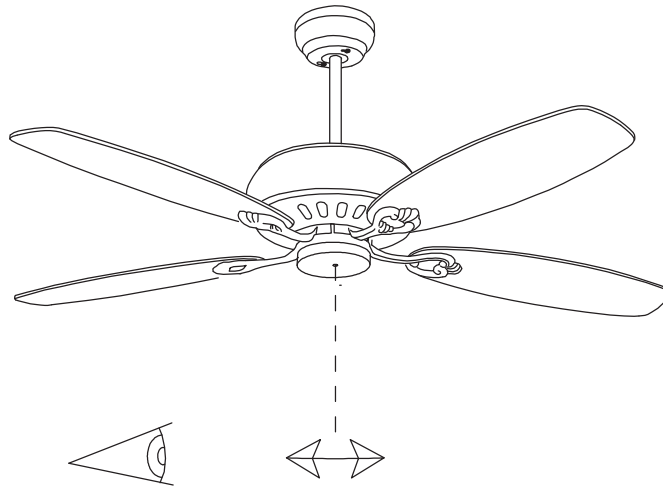


24

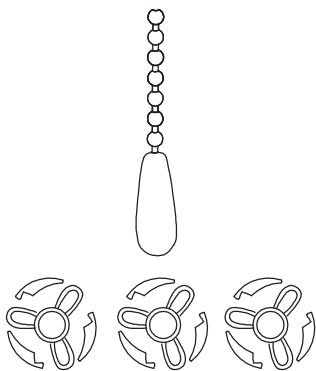




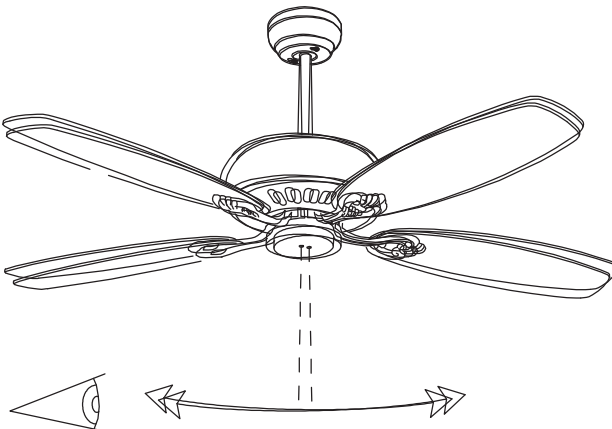
ON



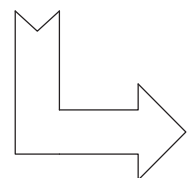
OK

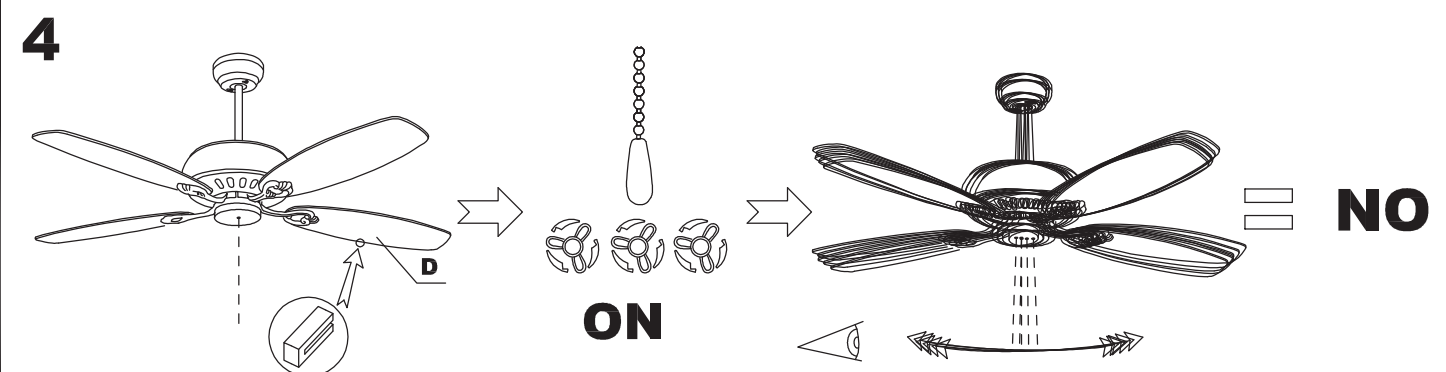
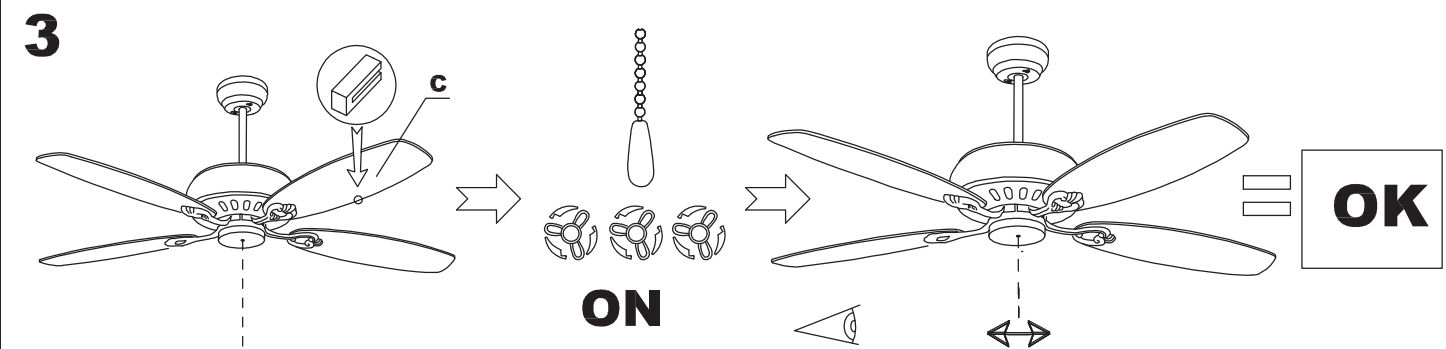
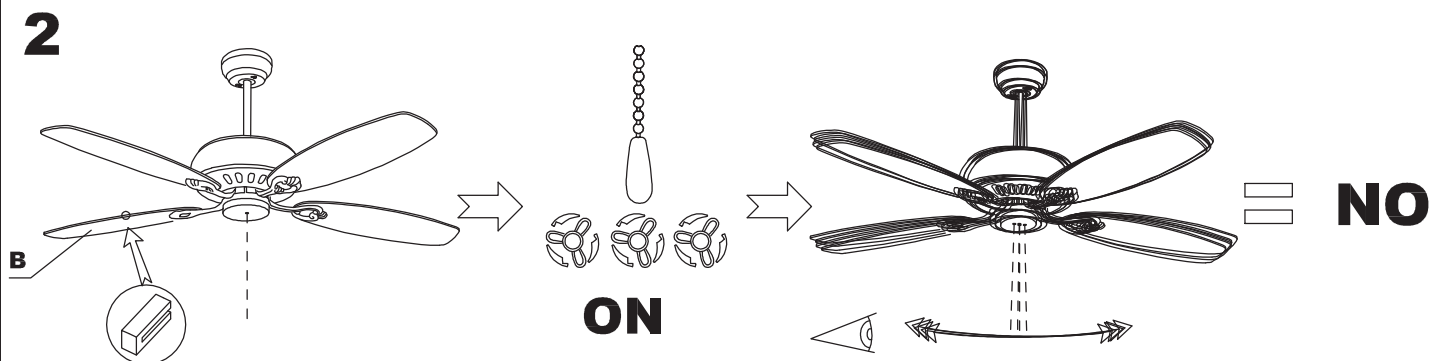
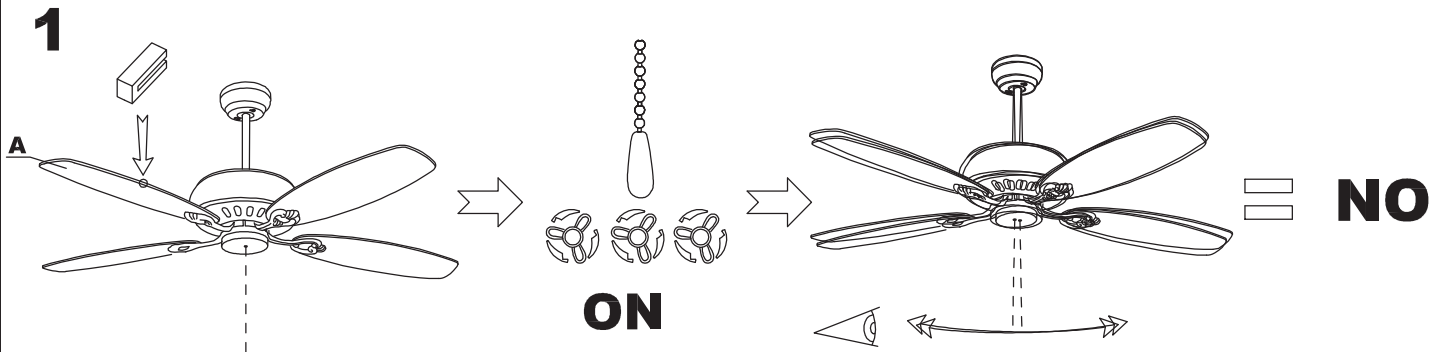
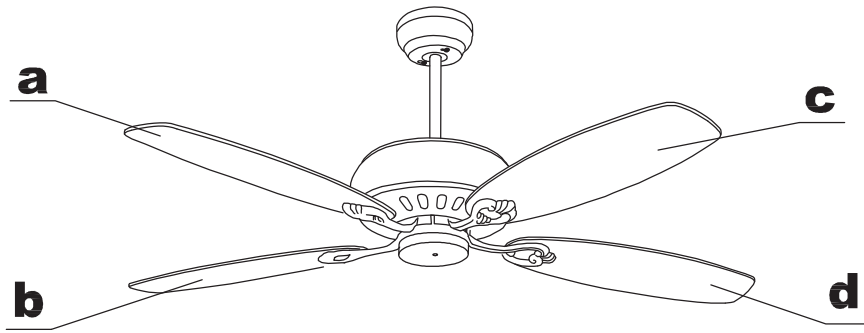


ON

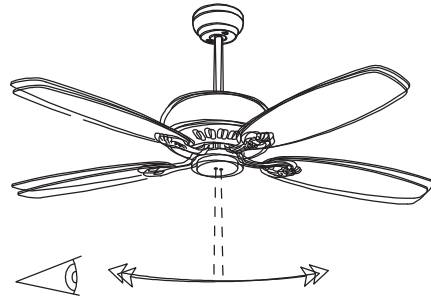
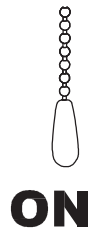
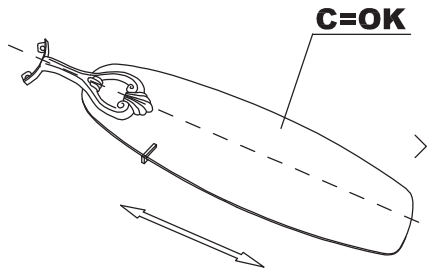


NO



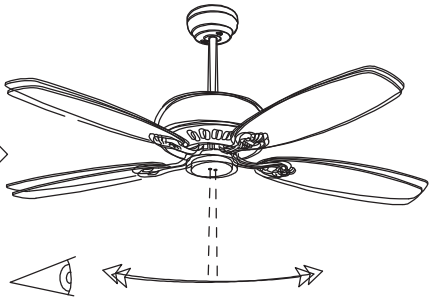
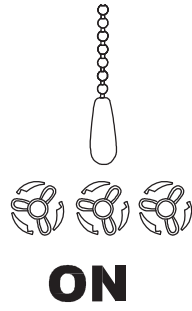
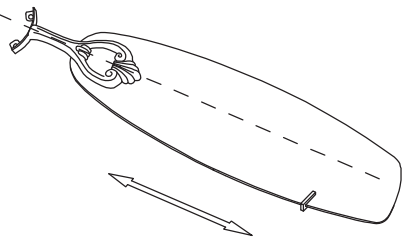


5



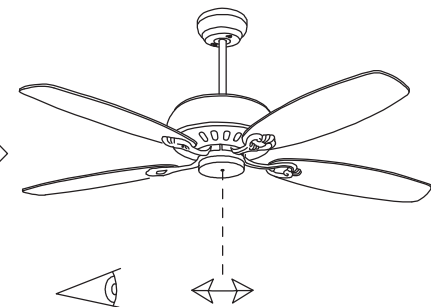
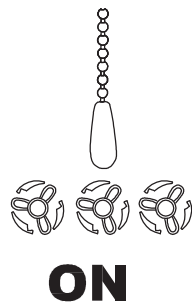
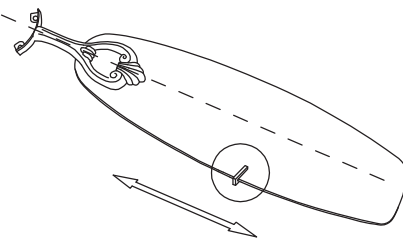
NO

6



NO

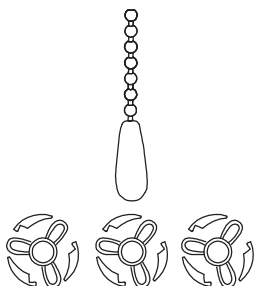
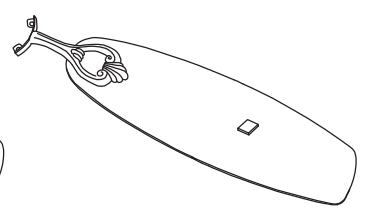
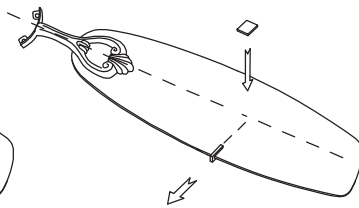
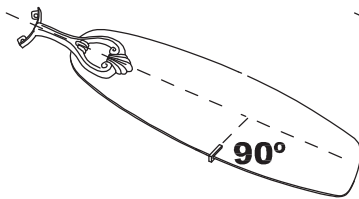
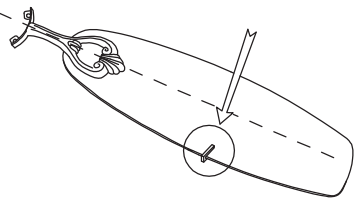
7



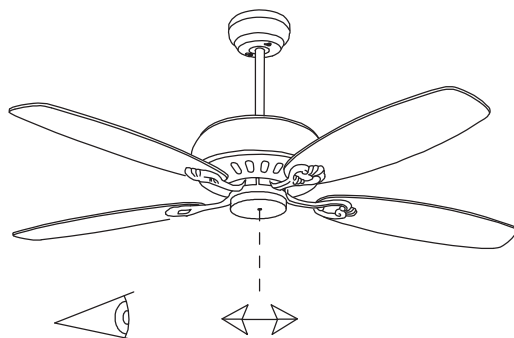
OK

8

OK



ON



OK