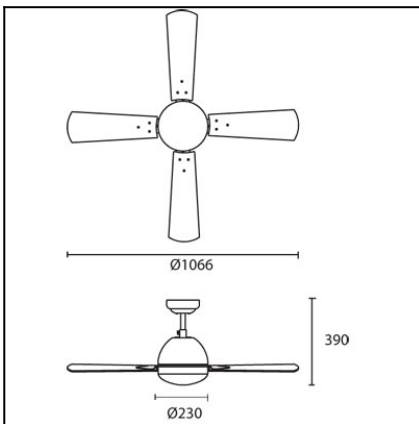




The photograph may not match the reference exactly. Please read the product description to identify the finish.



Download photometric file .ldt /.ies

### TECHNICAL CHARACTERISTICS

Type:	Fan
RPM:	100/145/185
IP Protection degrees:	IP20
Lampholder:	2 x E27
Power (W):	E27 60W
Total power consumption (W):	160
Voltage / Frequency:	230V/50Hz
Warranty (Years):	2
Units per box:	1
Net Weight (Kg):	6.015
EAN:	8435381401726,00
CFM:	4150.00



### MATERIALS / FINISHES

**Structure material:** Steel

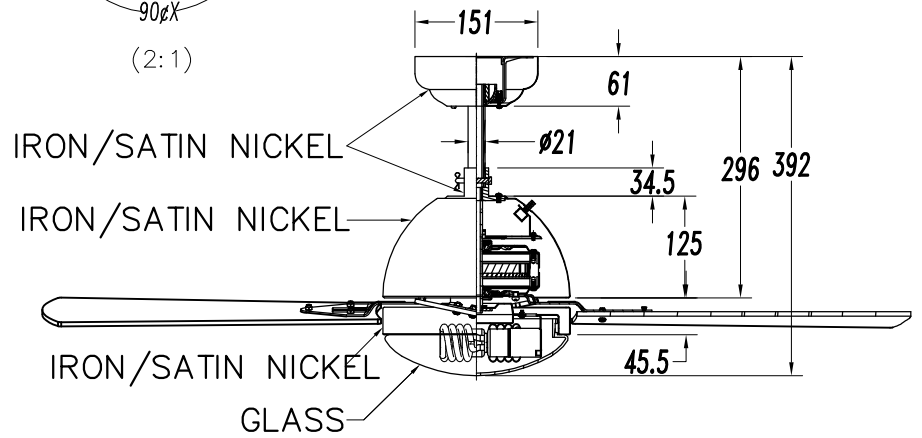
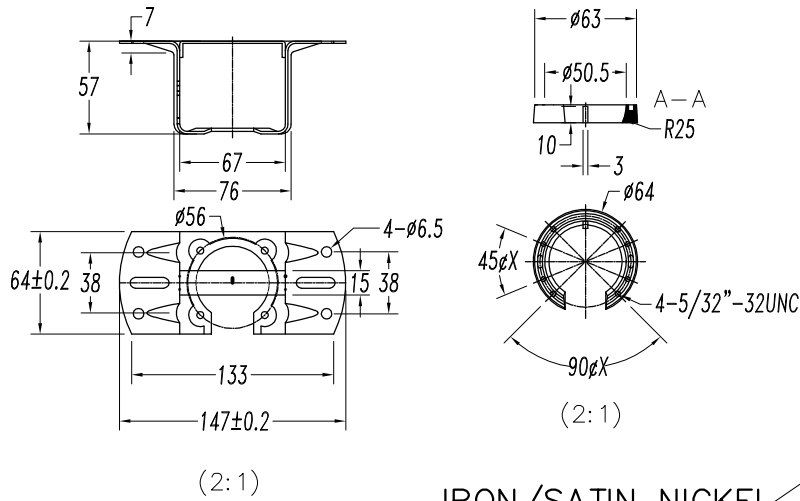
**Diffuser material:** Glass

**Structure finish:** Patine

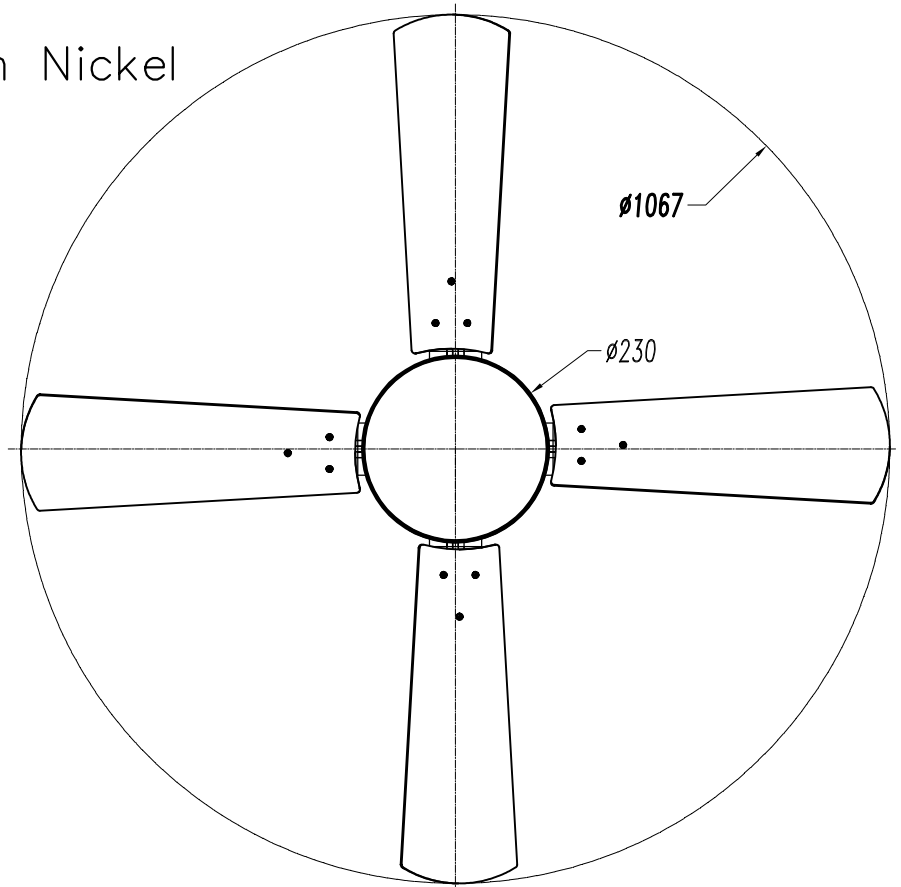
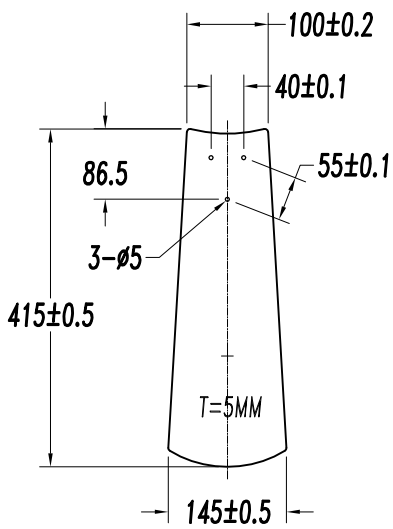
**Diffuser finish:** Matt opal

**Blades material:** Plywood

**Blades finishes:** Beech



WOOD/White&Satin Nickel





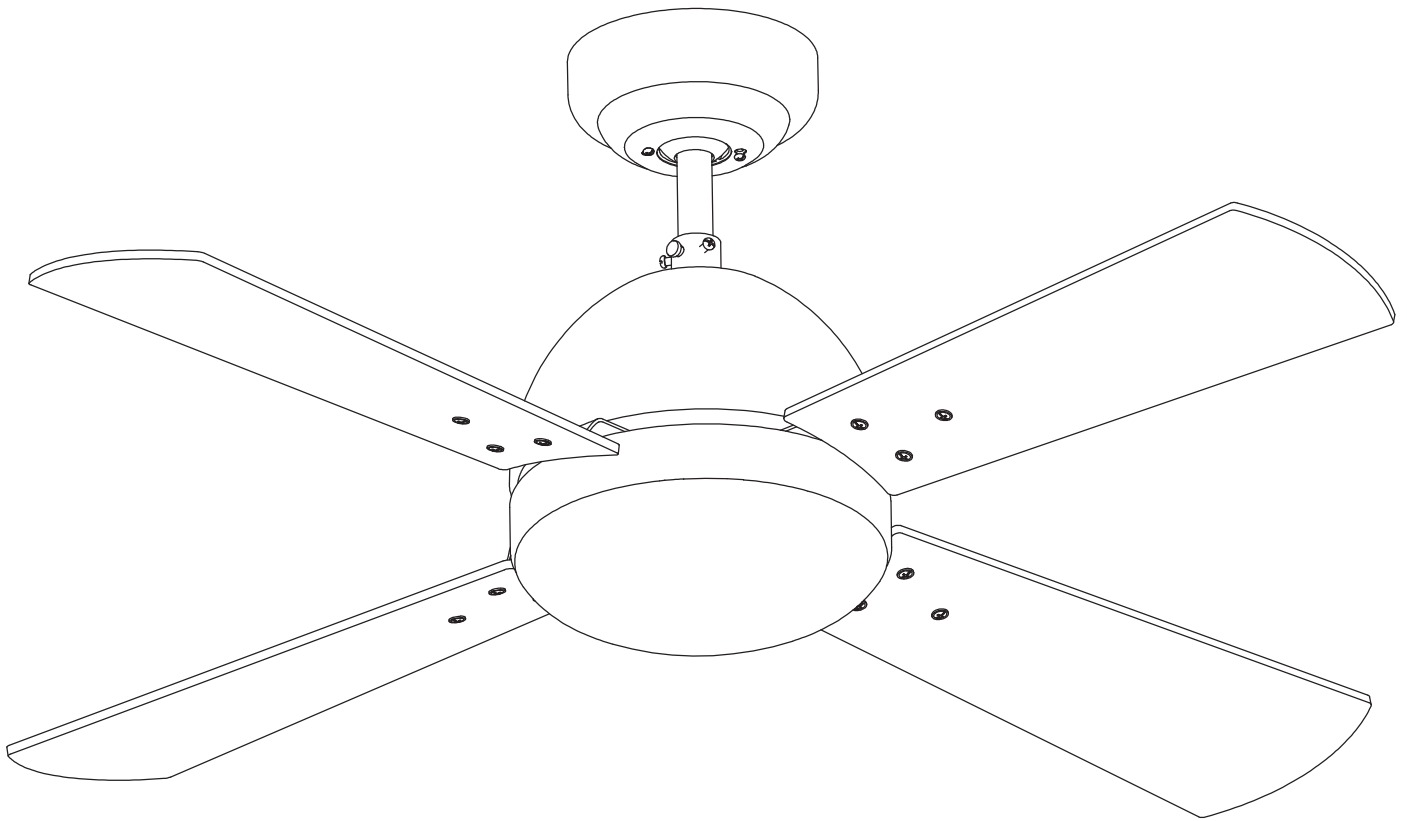
**LED S-C4**

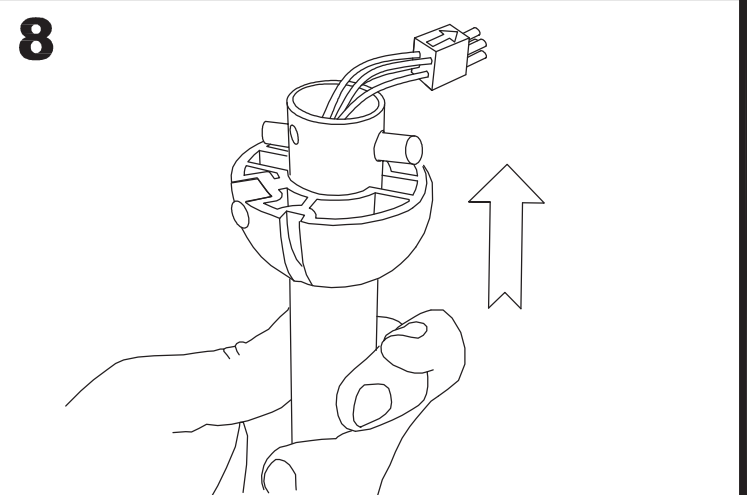
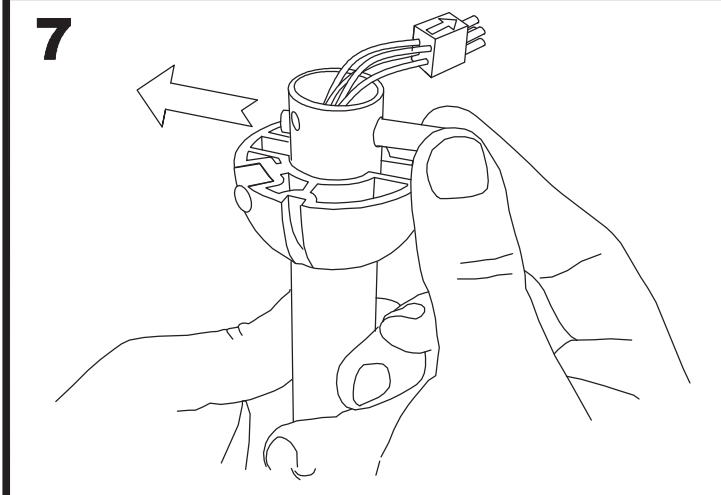
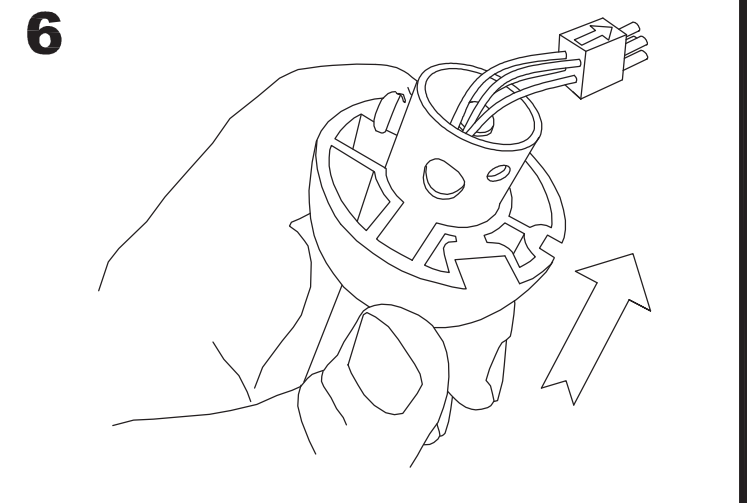
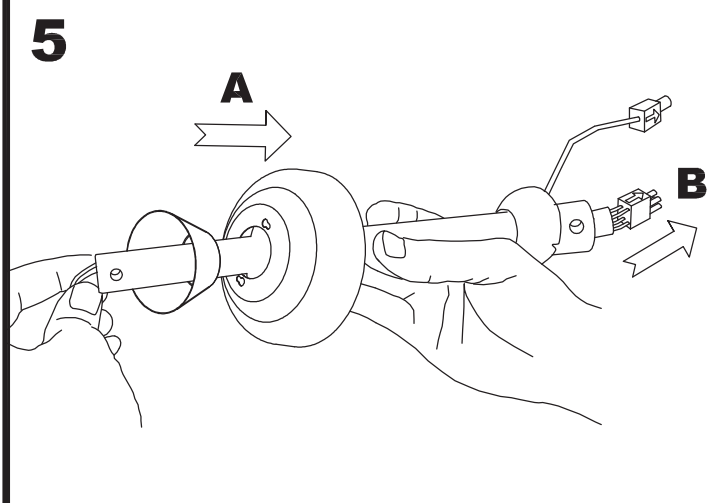
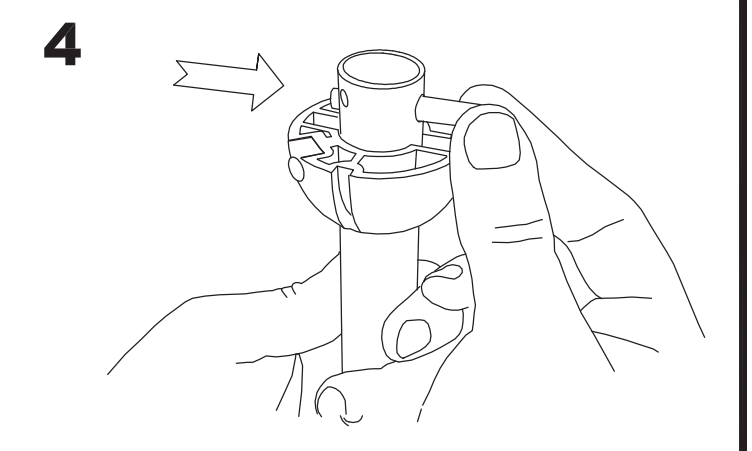
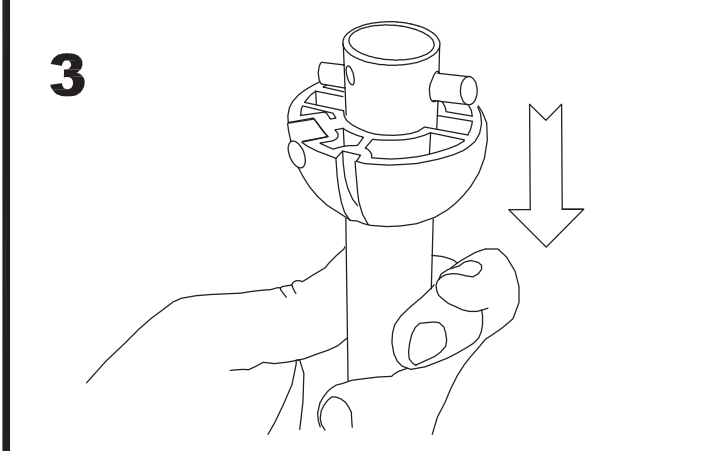
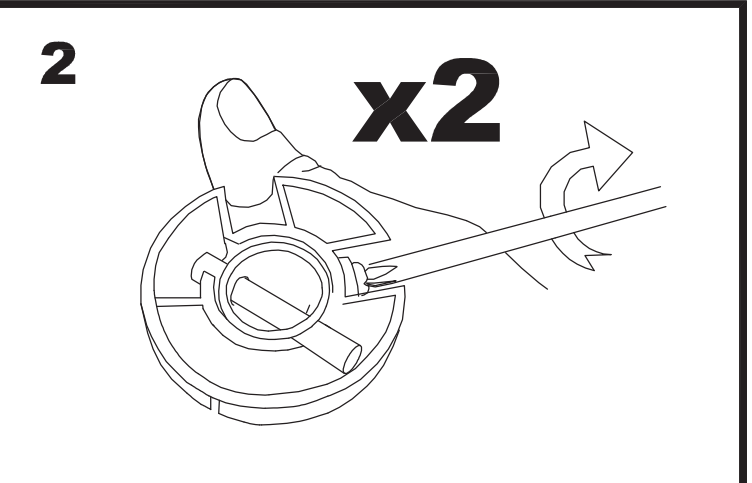
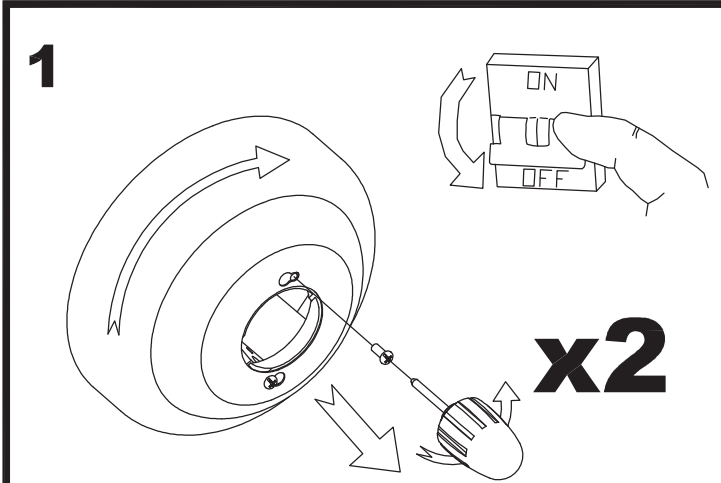
**30-4399-14-F9**

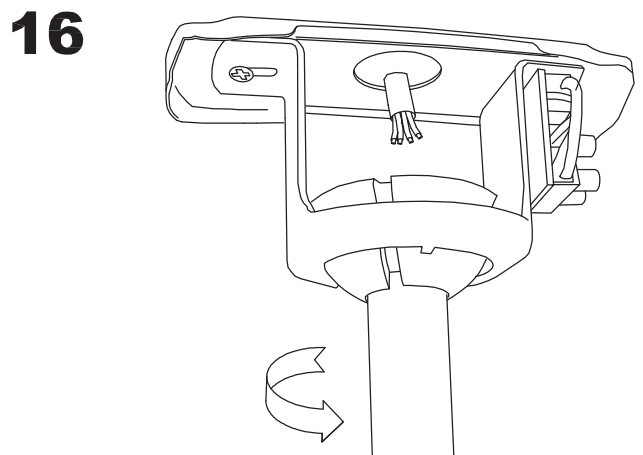
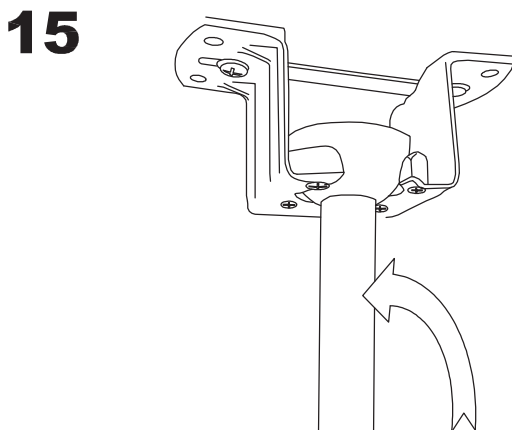
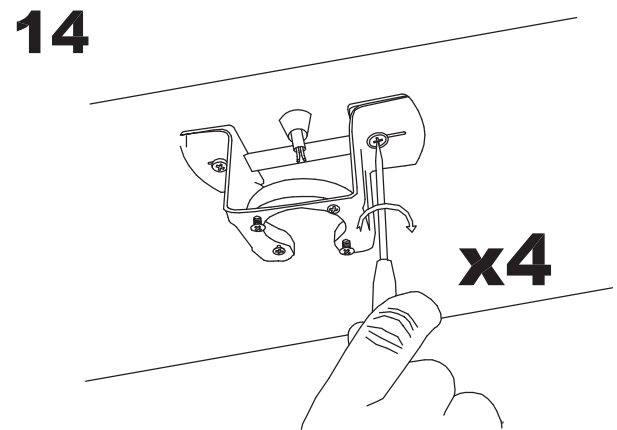
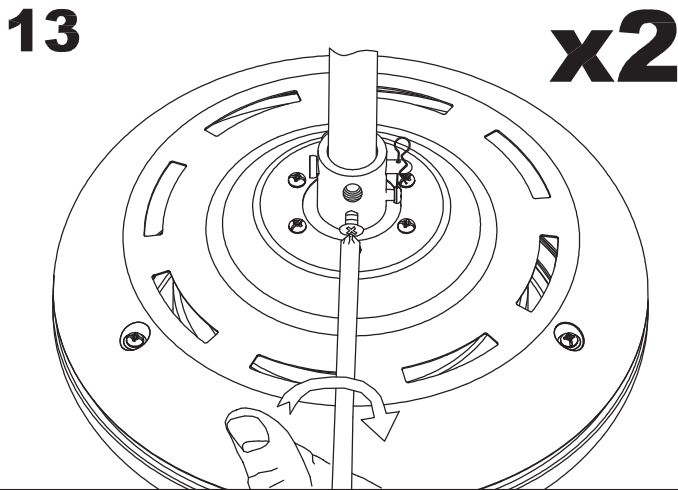
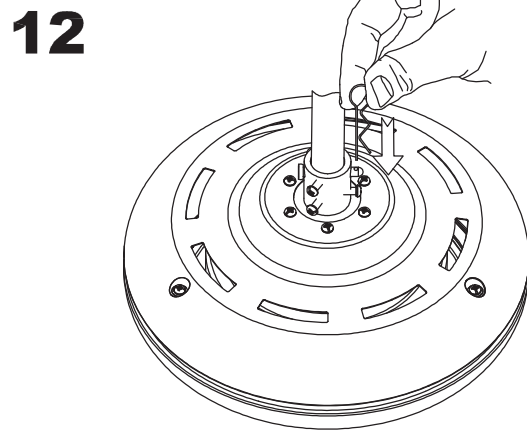
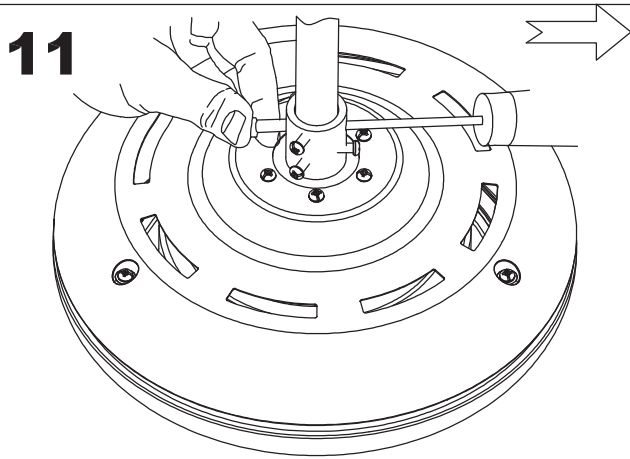
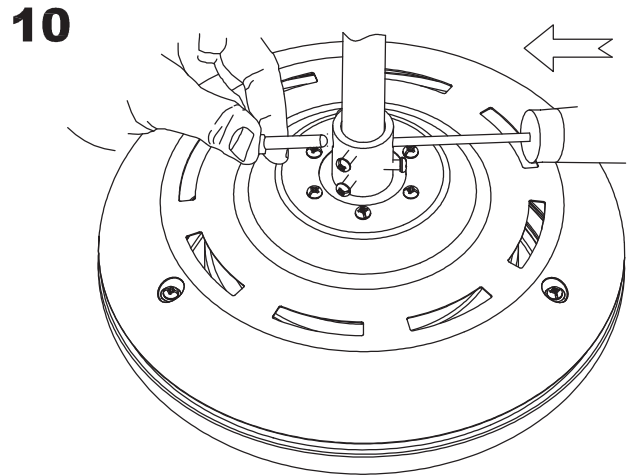
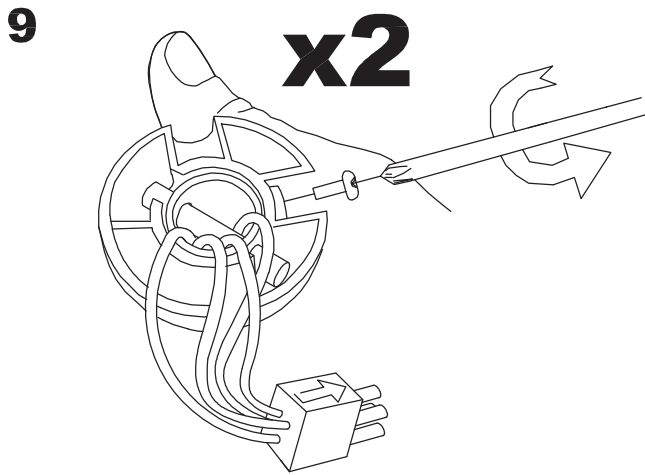
**30-4399-E4-F9**

**30-4399-J7-F9**

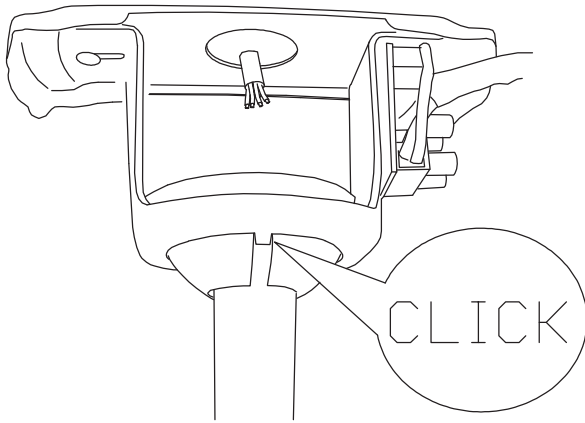
**30-4399-81-F9**



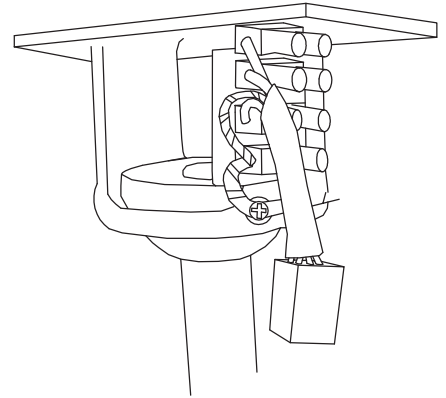




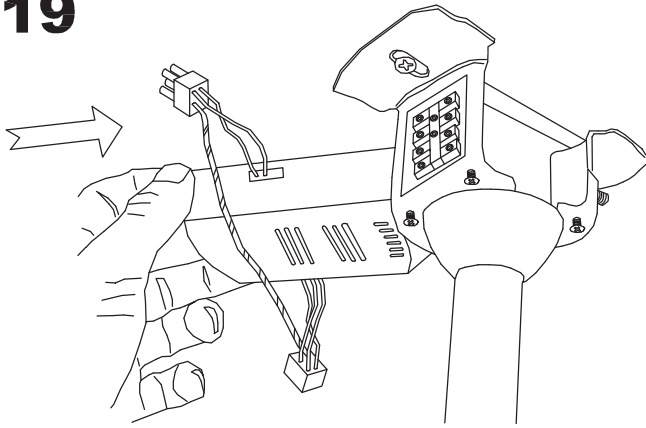
**17**



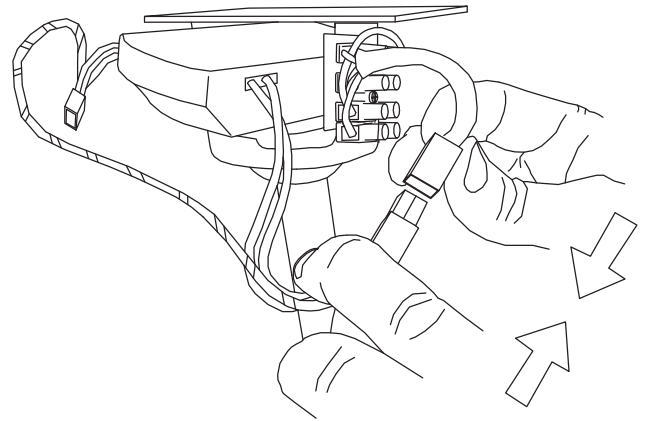
**18**



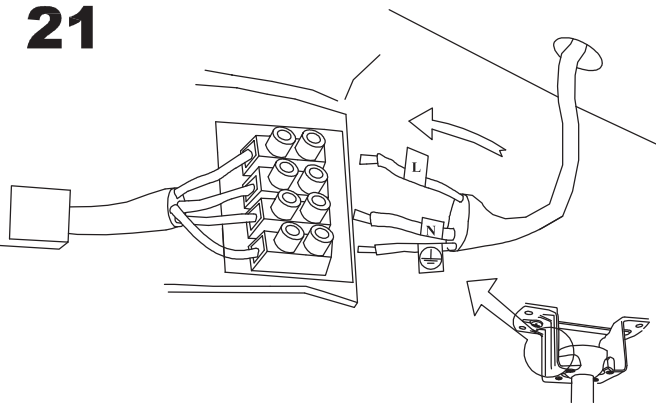
**19**



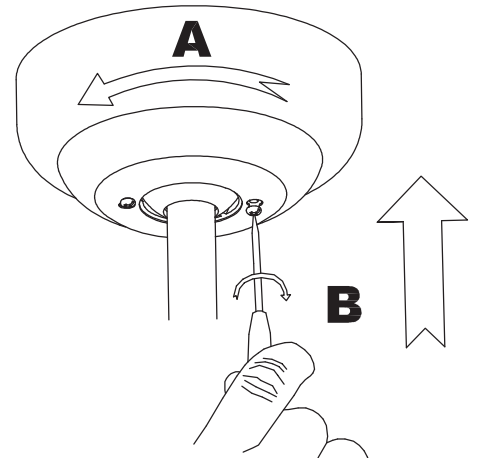
**20**



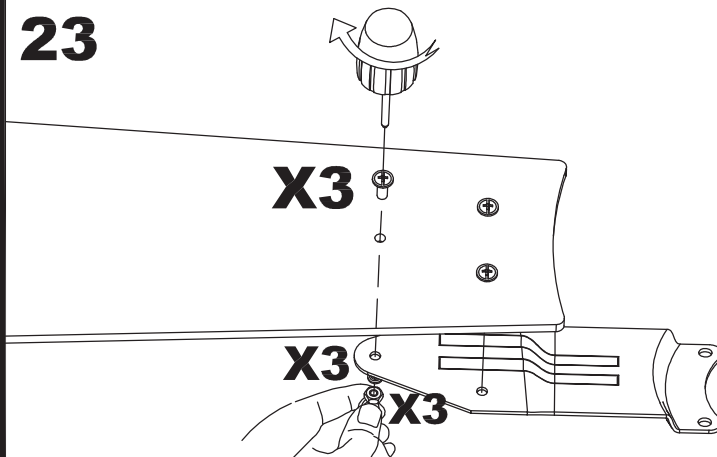
**21**



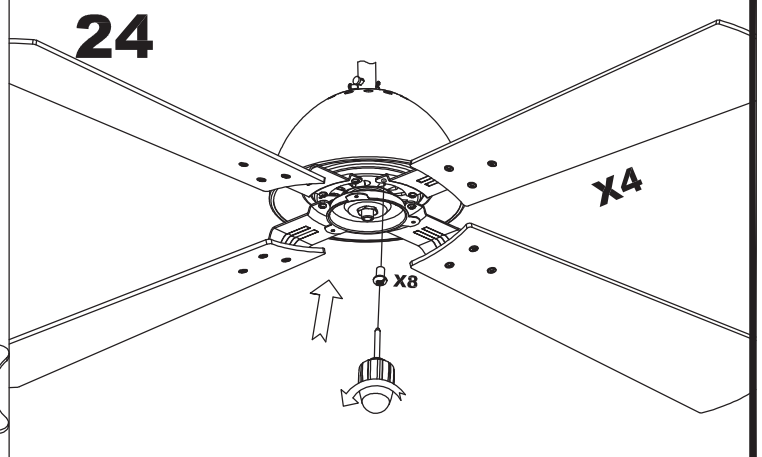
**22**

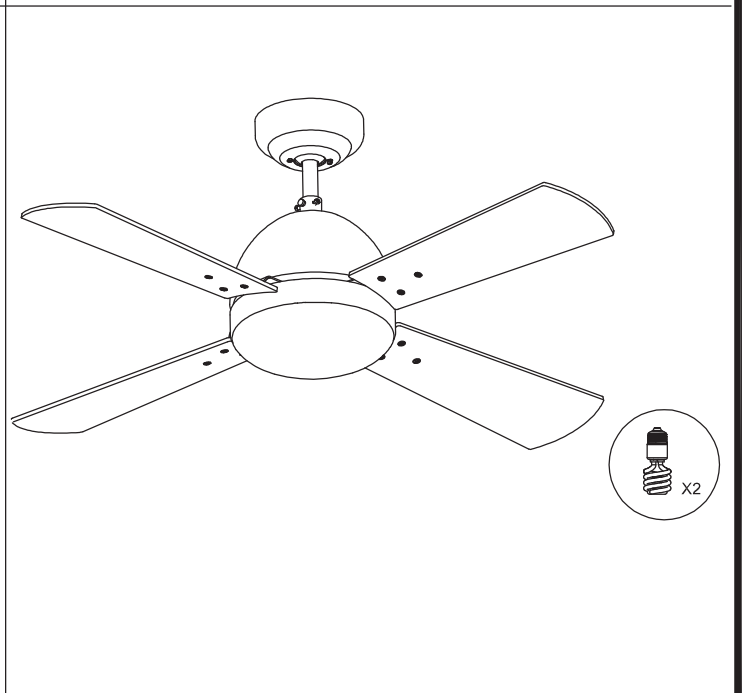
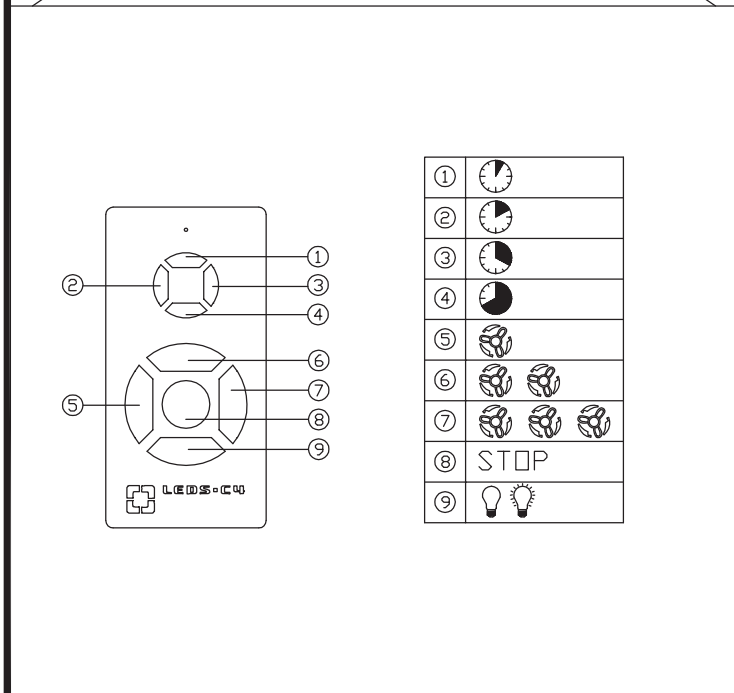
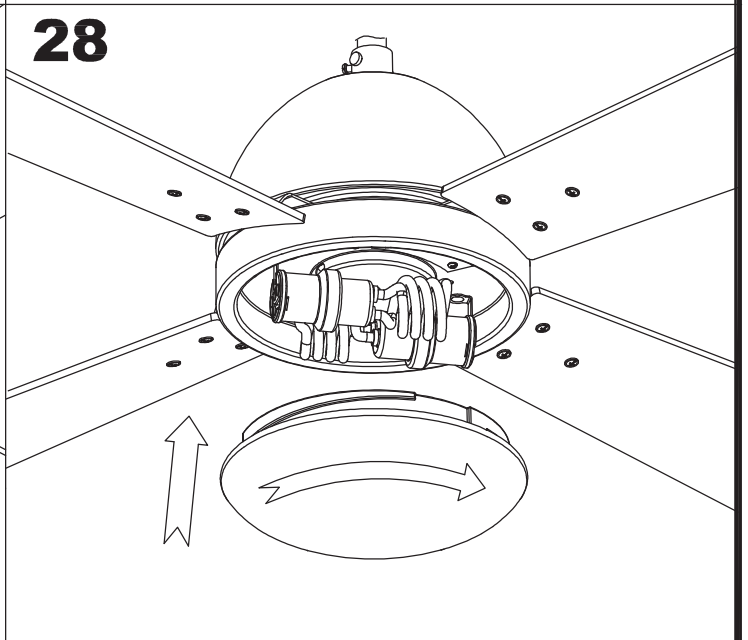
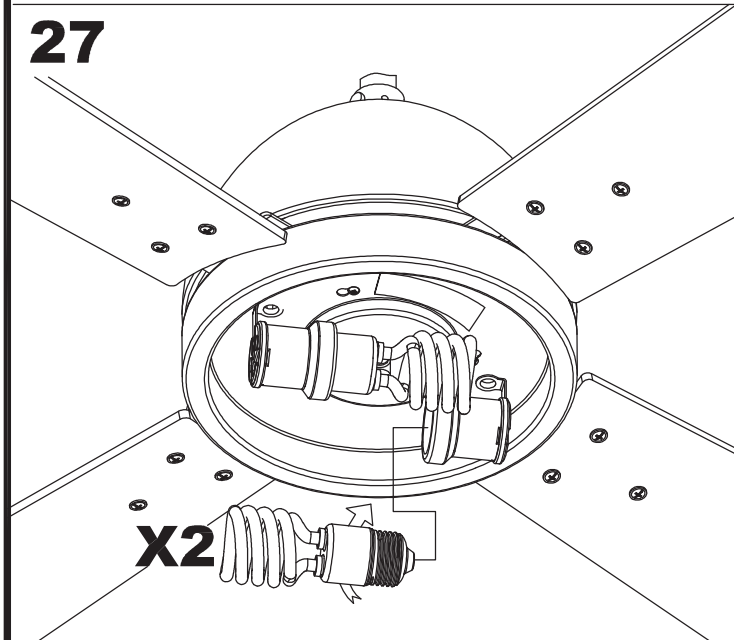
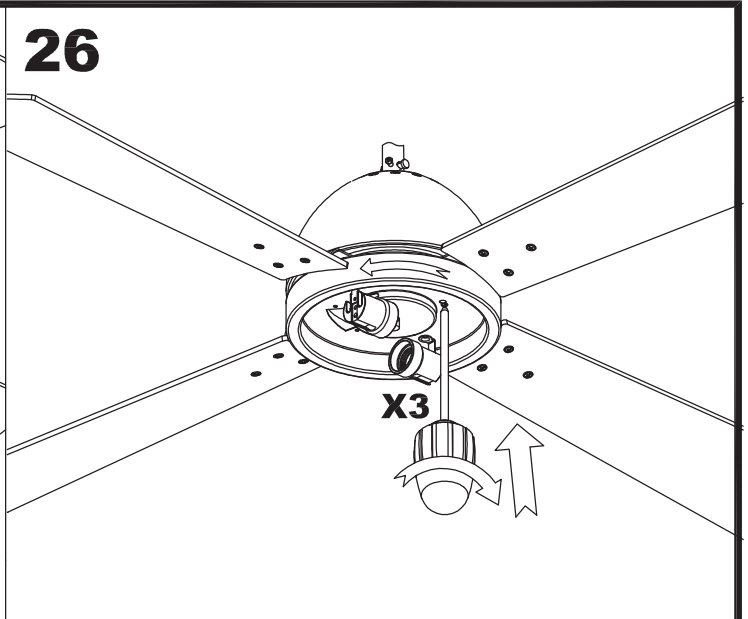
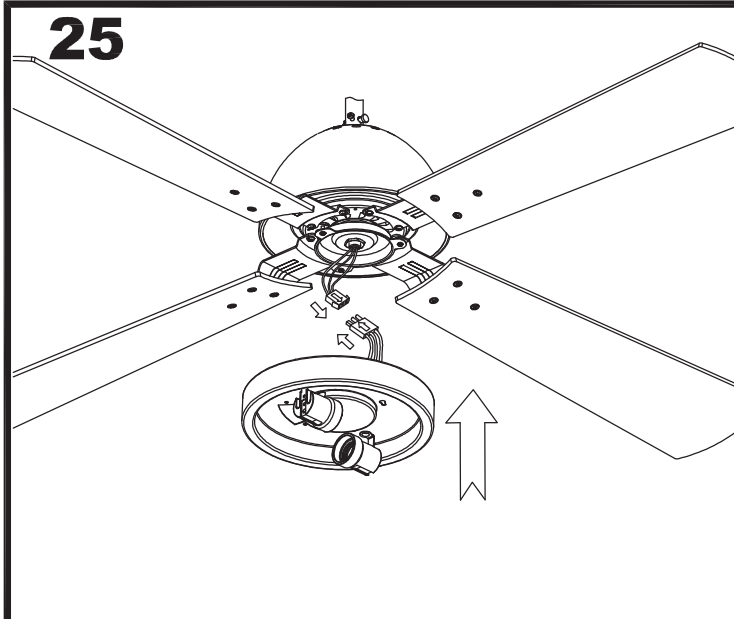


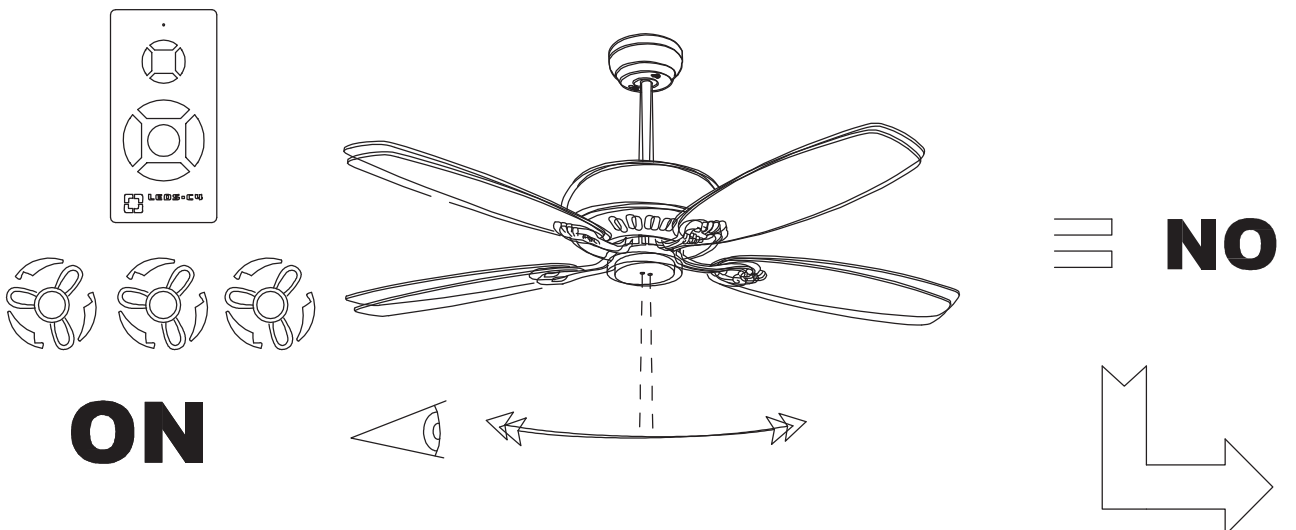
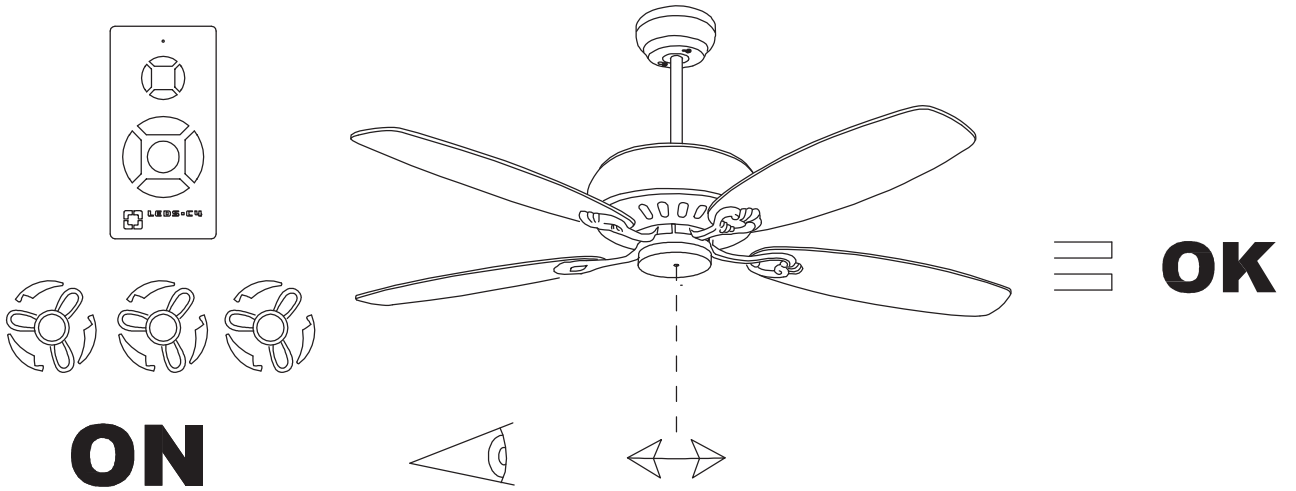
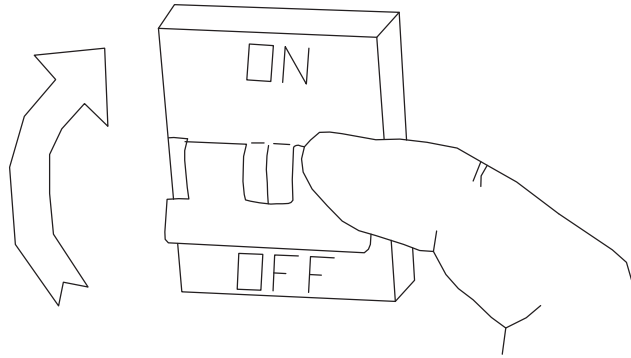
**23**



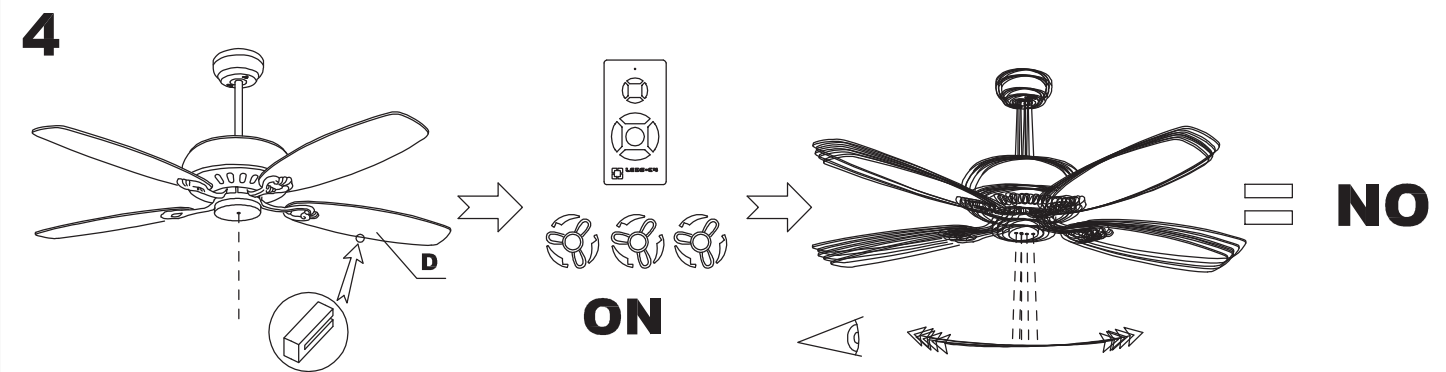
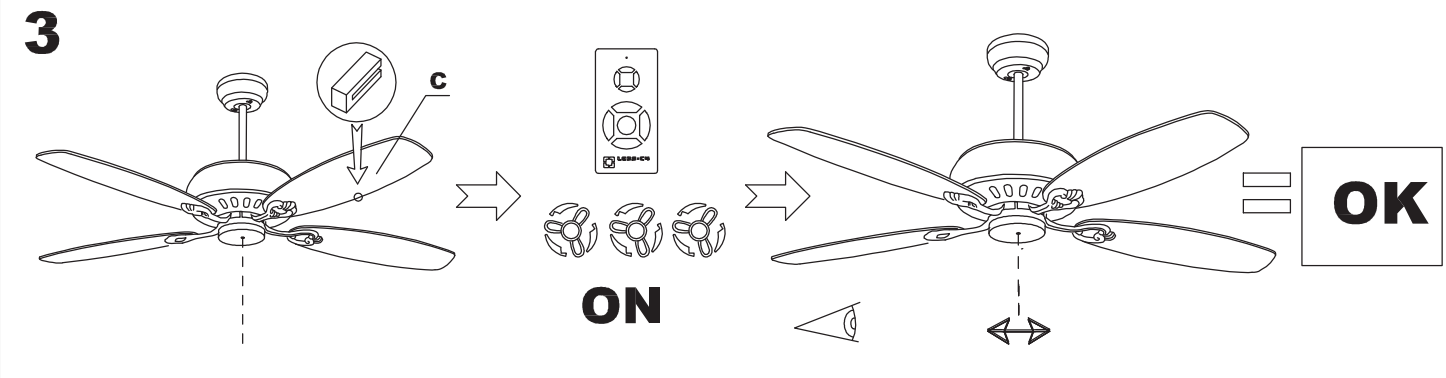
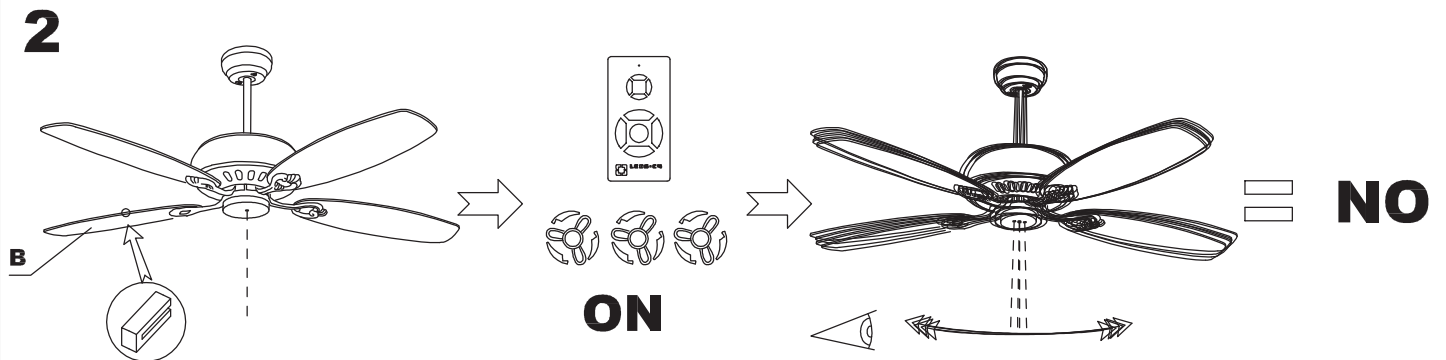
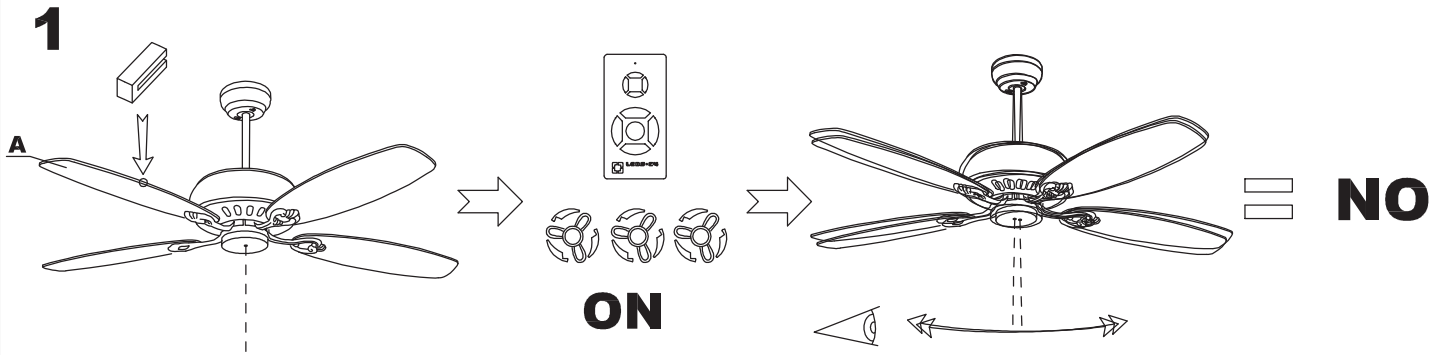
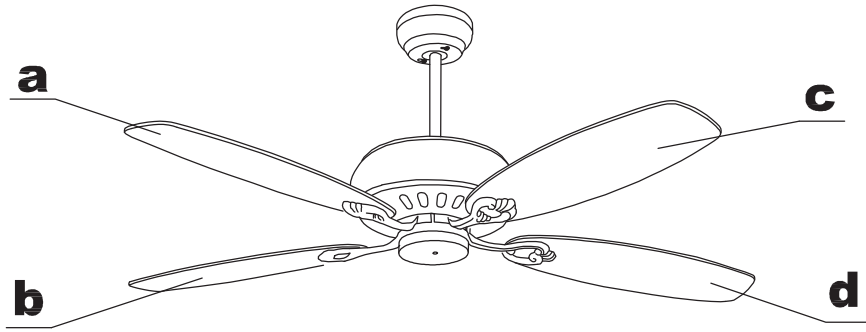
**24**



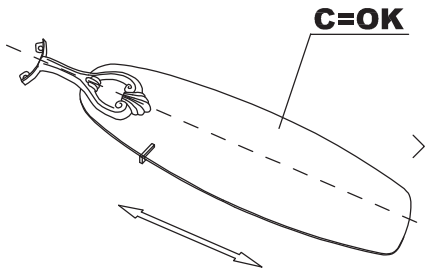




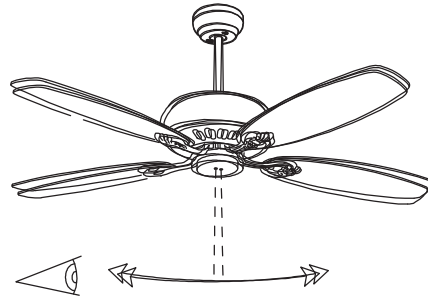




**5**

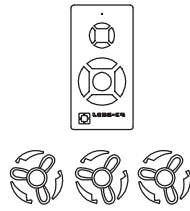
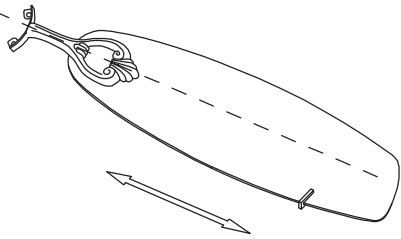


**ON**

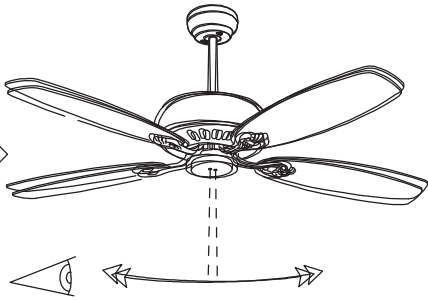


**= NO**

**6**

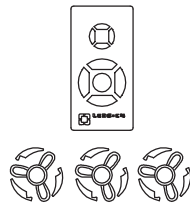
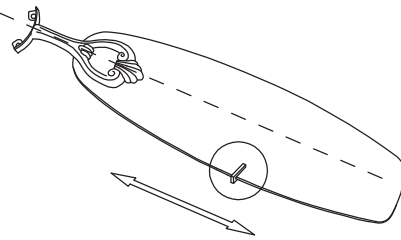


**ON**

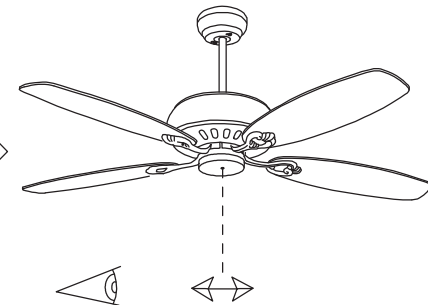


**= NO**

**7**



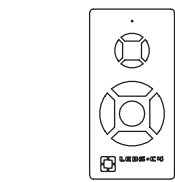
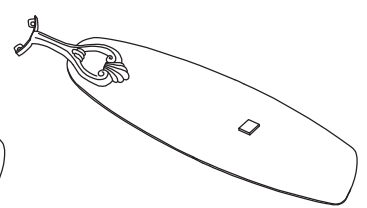
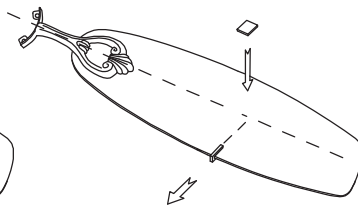
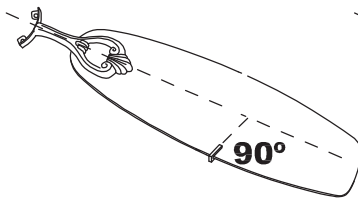
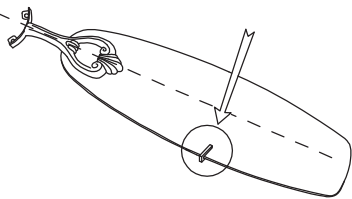
**ON**



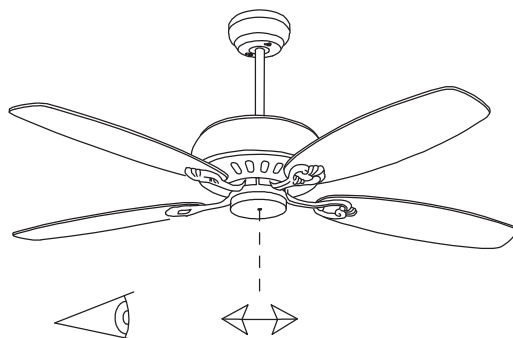
**= OK**

**8**

**OK**



**ON**



**= OK**