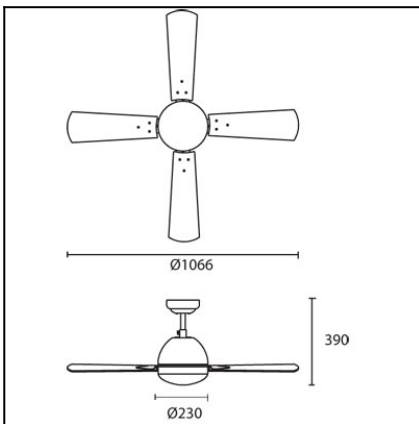




The photograph may not match the reference exactly. Please read the product description to identify the finish.



Download photometric file .ldt /.ies

TECHNICAL CHARACTERISTICS

Type:	Fan
RPM:	100/145/185
IP Protection degrees:	IP20
Lampholder:	2 x E27
Power (W):	E27 60 W
Total power consumption (W):	160
Voltage / Frequency:	230V/50Hz
Warranty (Years):	2
Units per box:	1
Net Weight (Kg):	6.015
EAN:	8435111082652,00
CFM:	4150.00



MATERIALS / FINISHES

Structure material: Steel	Diffuser material: Glass
Structure finish: Copper-colored brown	Diffuser finish: Matt opal
Blades material: Plywood	
Blades finishes: Beech Wenge-painted finish	



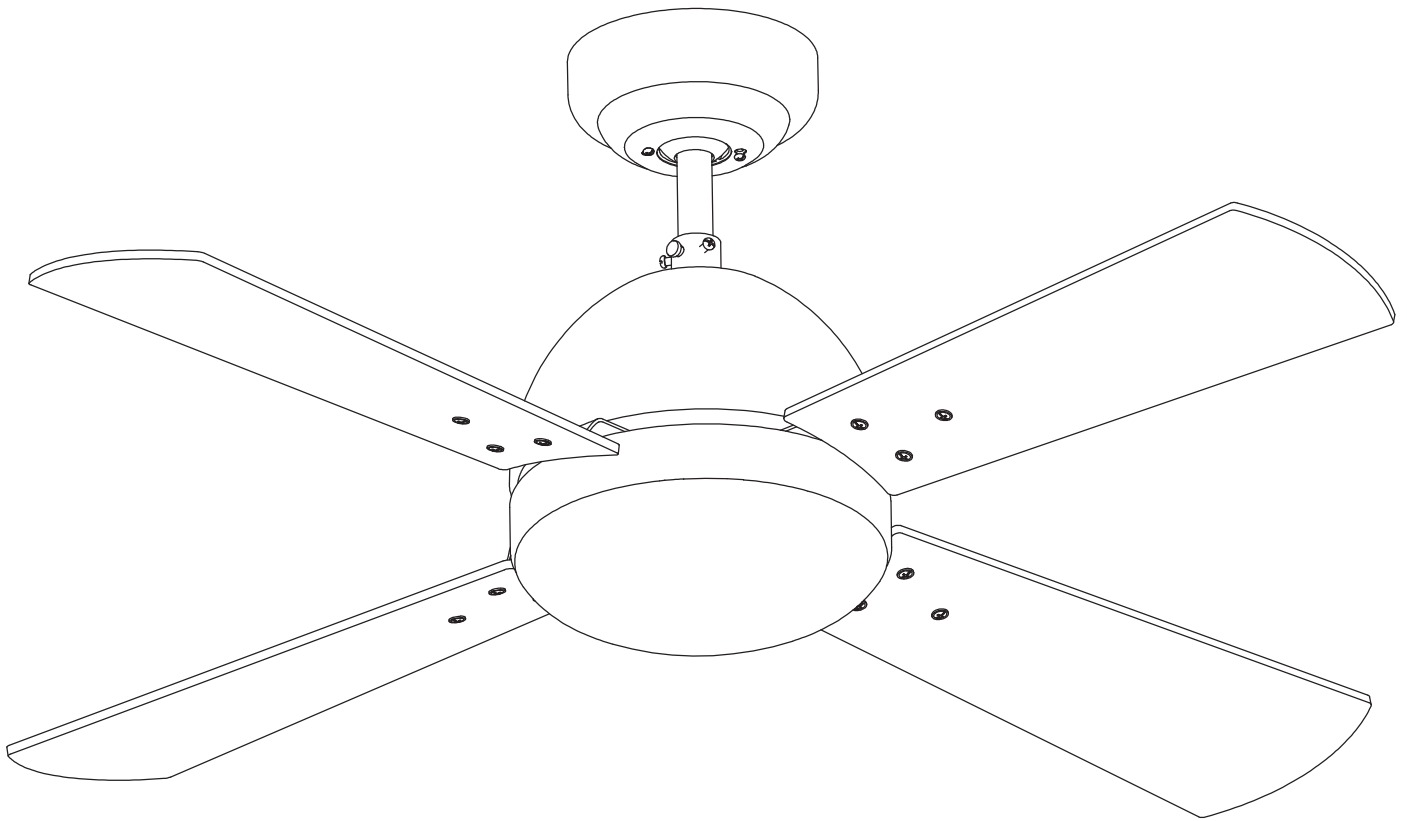
LED S-C4

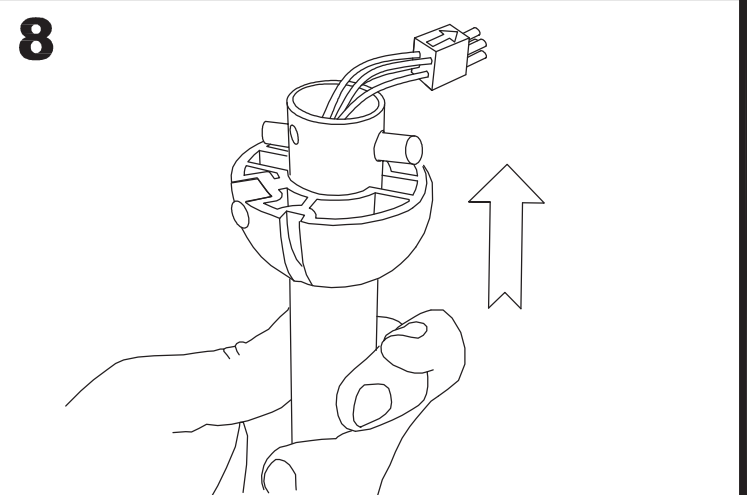
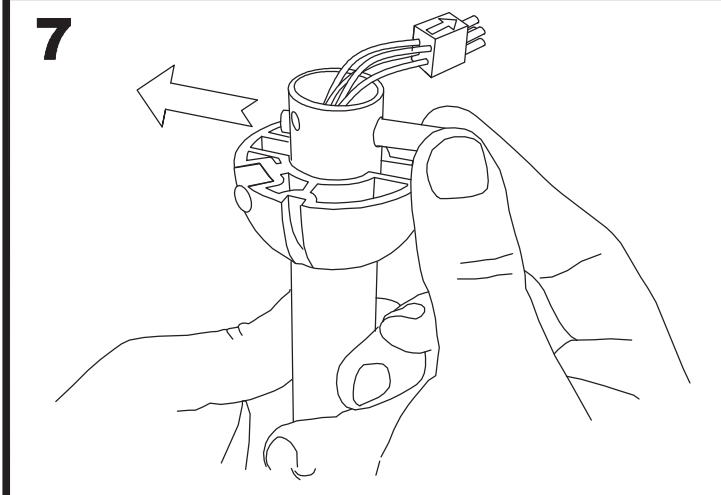
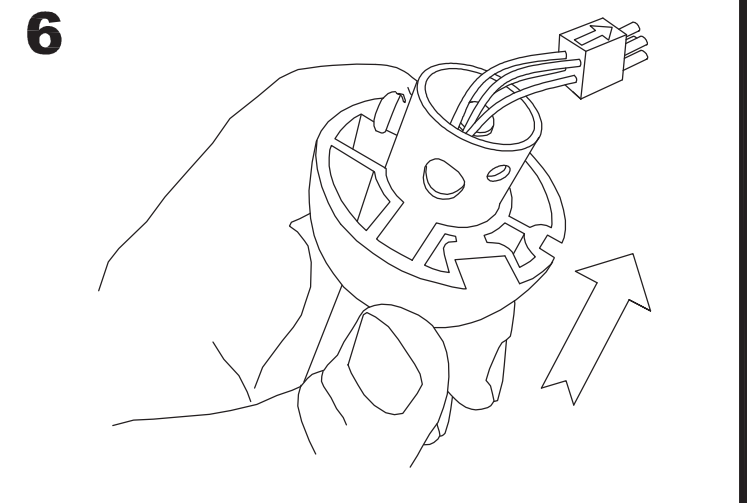
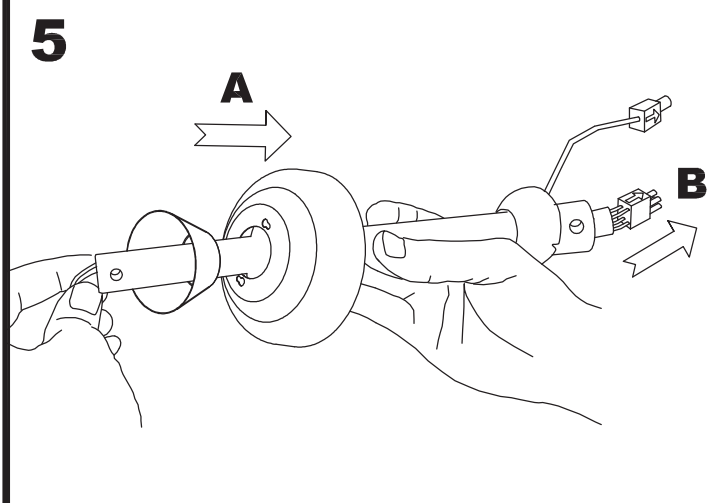
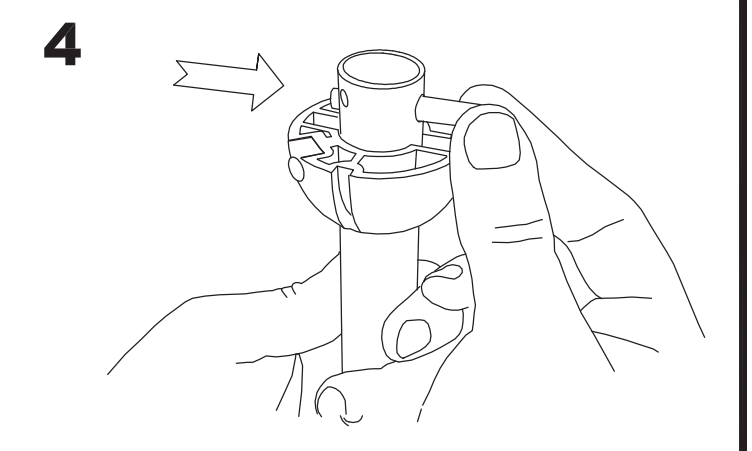
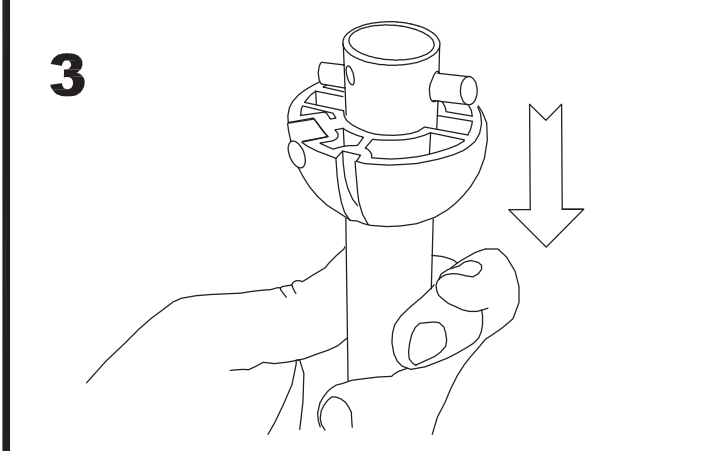
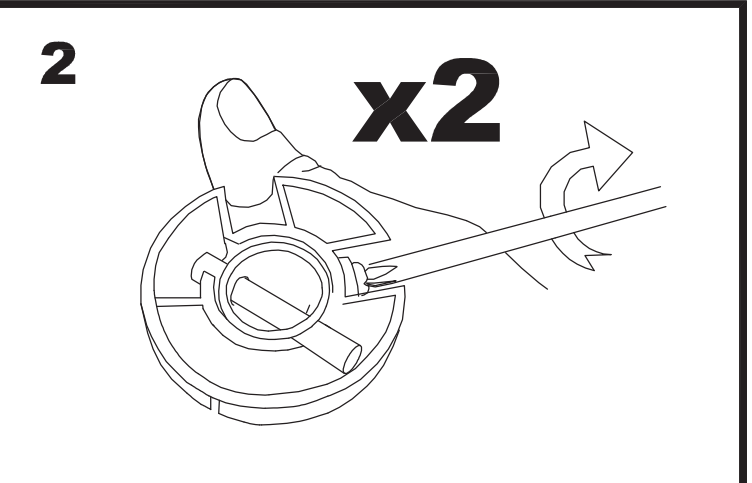
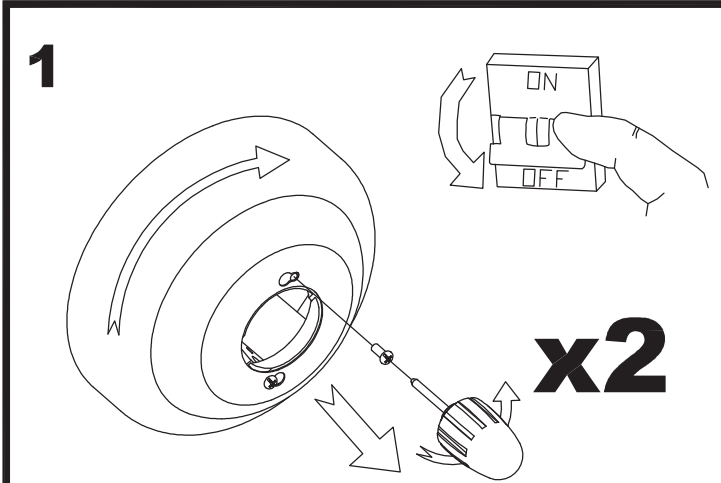
30-4399-14-F9

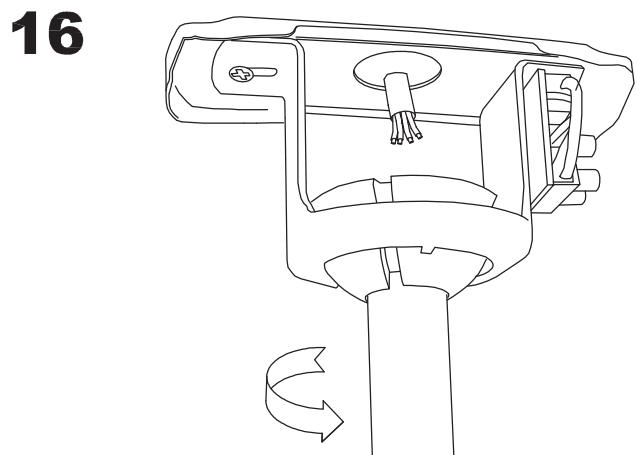
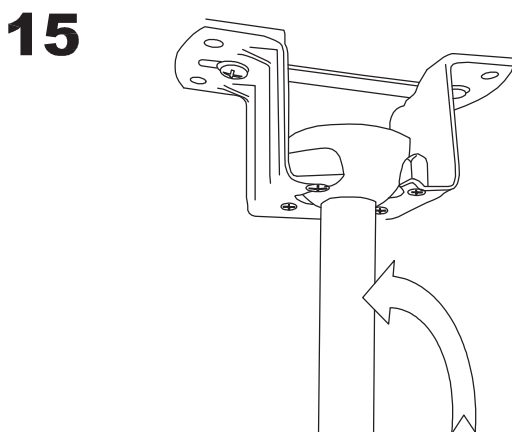
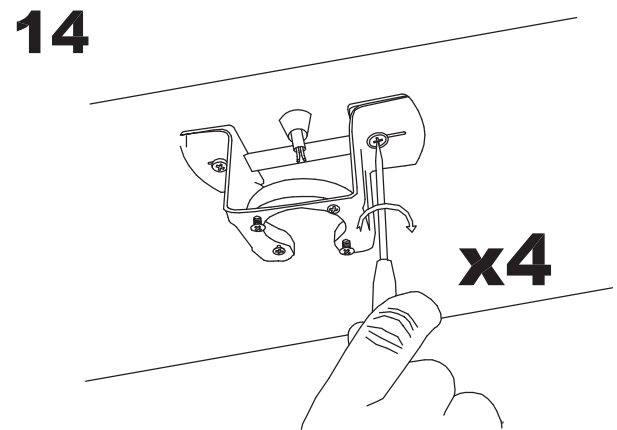
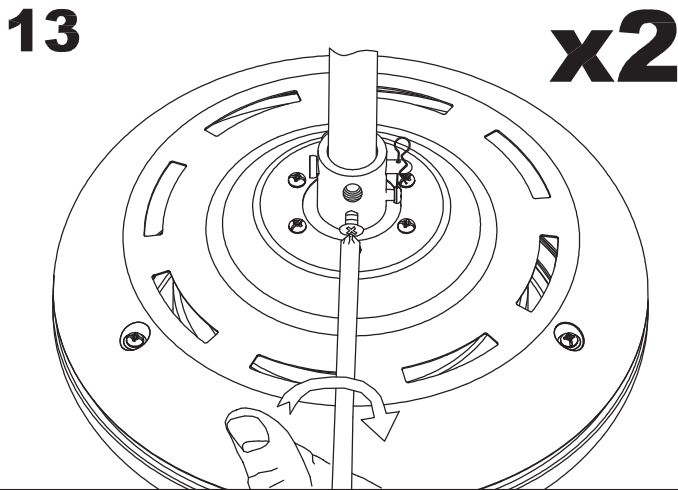
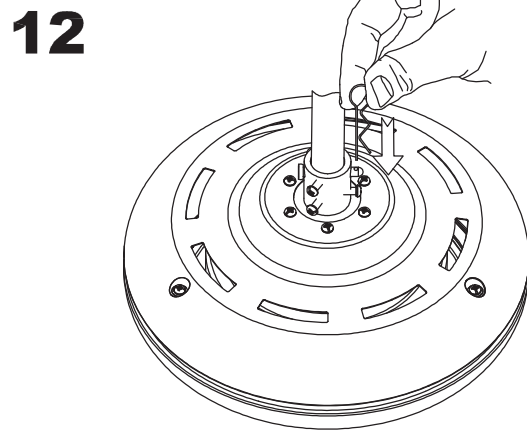
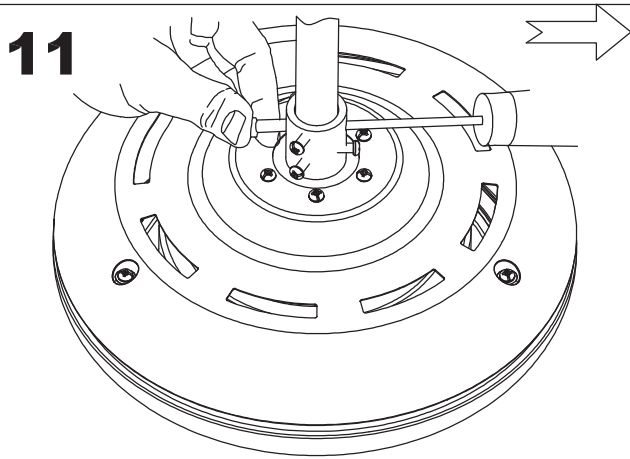
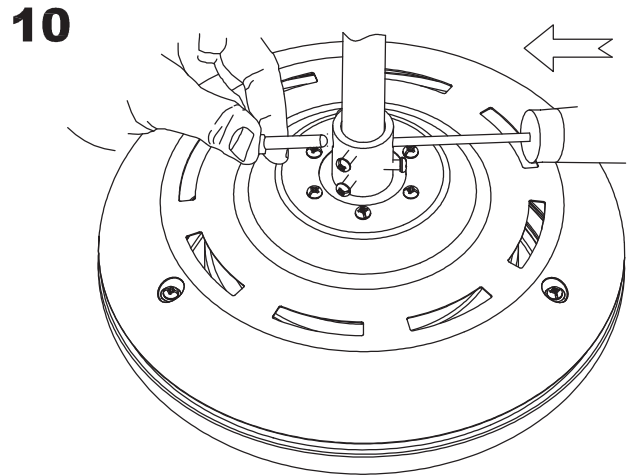
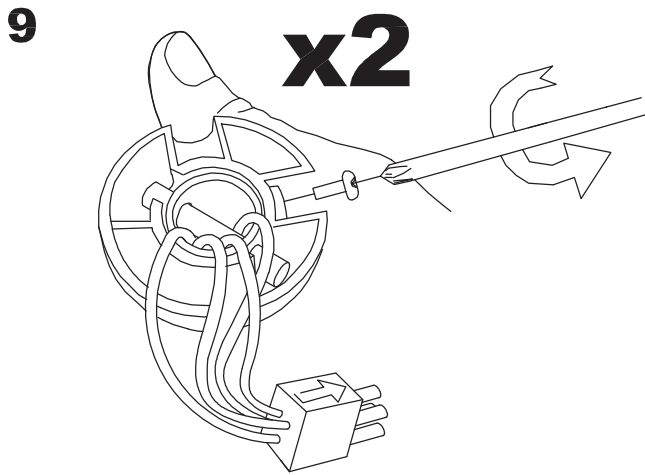
30-4399-E4-F9

30-4399-J7-F9

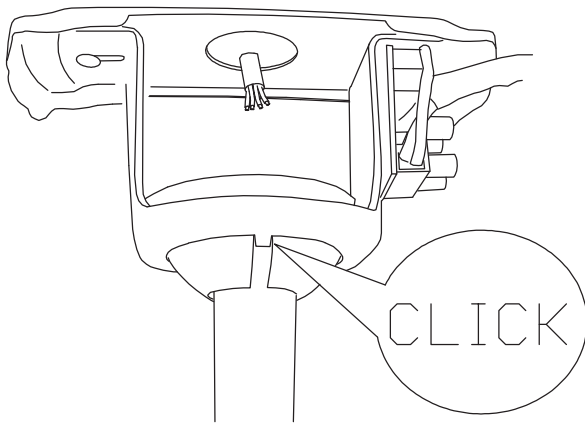
30-4399-81-F9



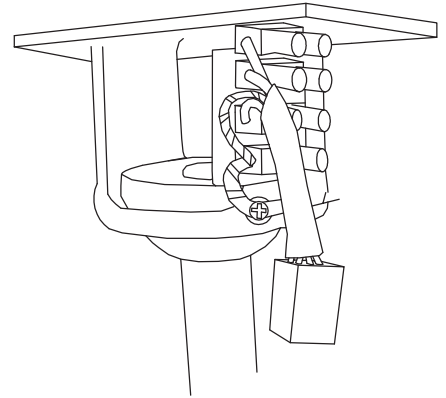




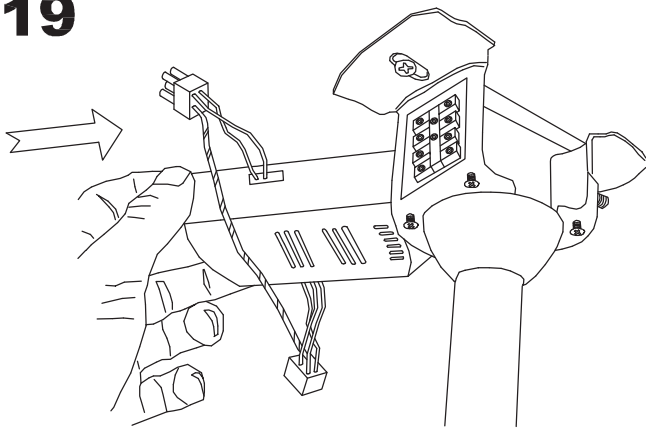
17



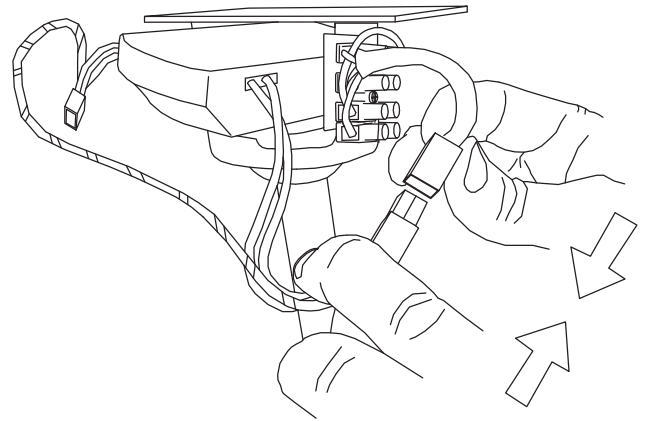
18



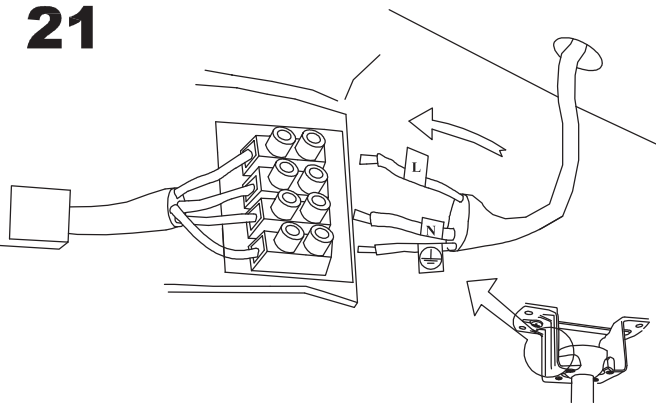
19



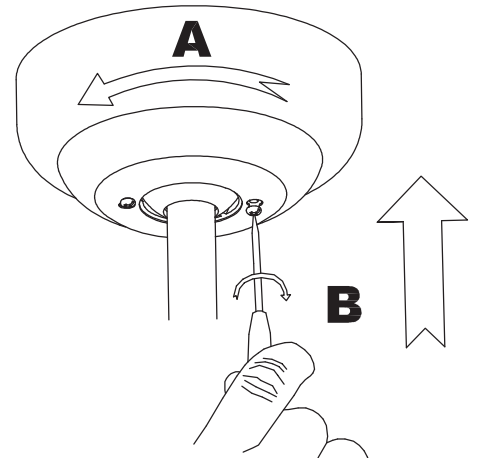
20



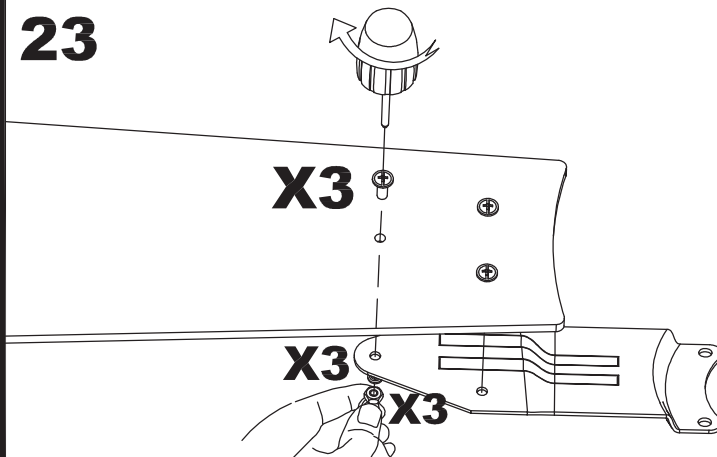
21



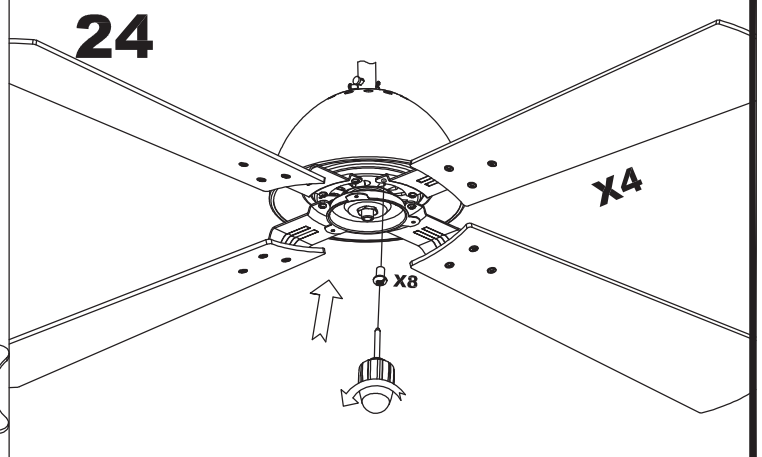
22

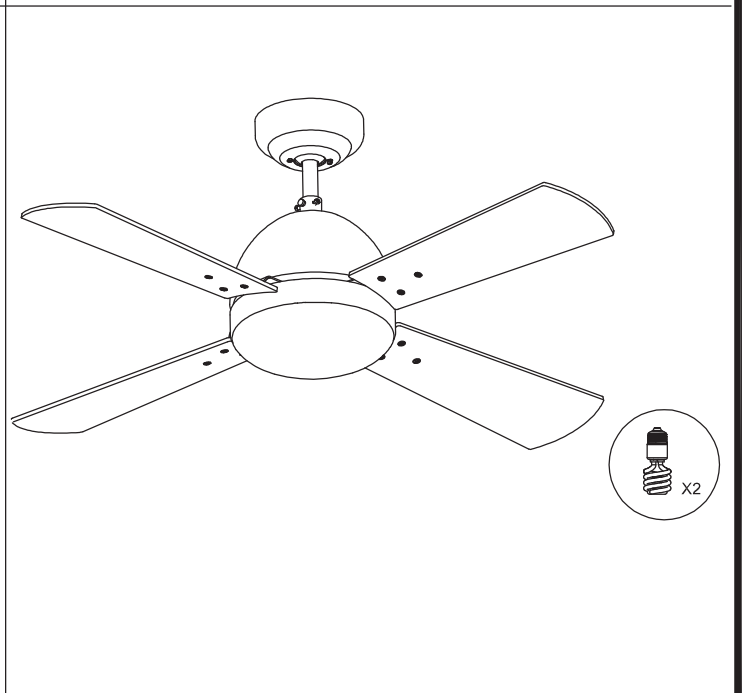
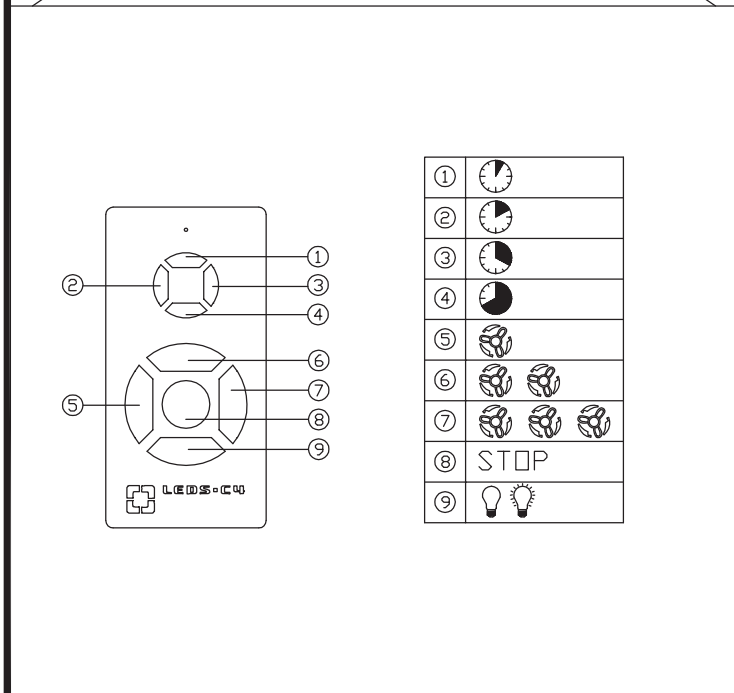
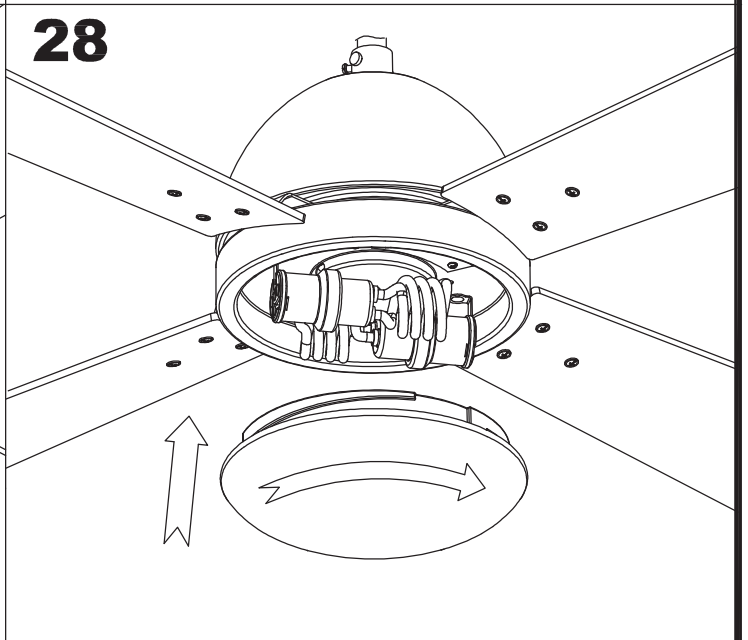
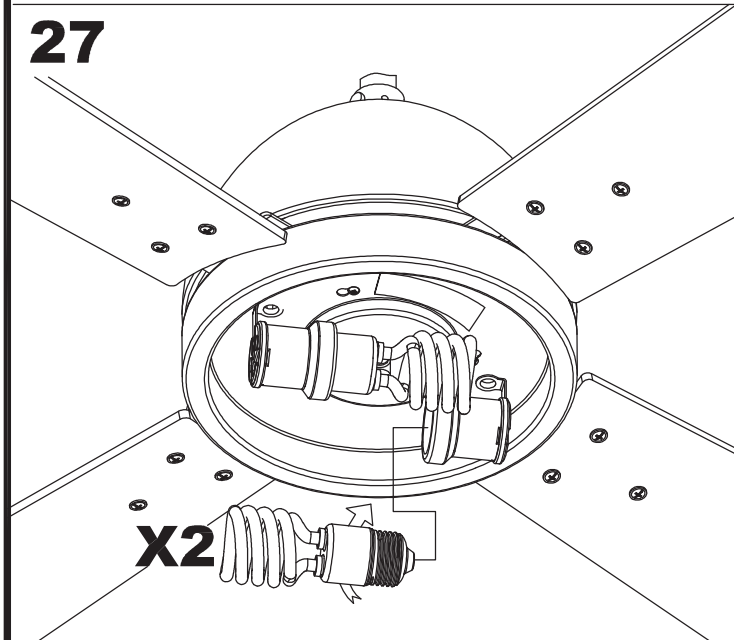
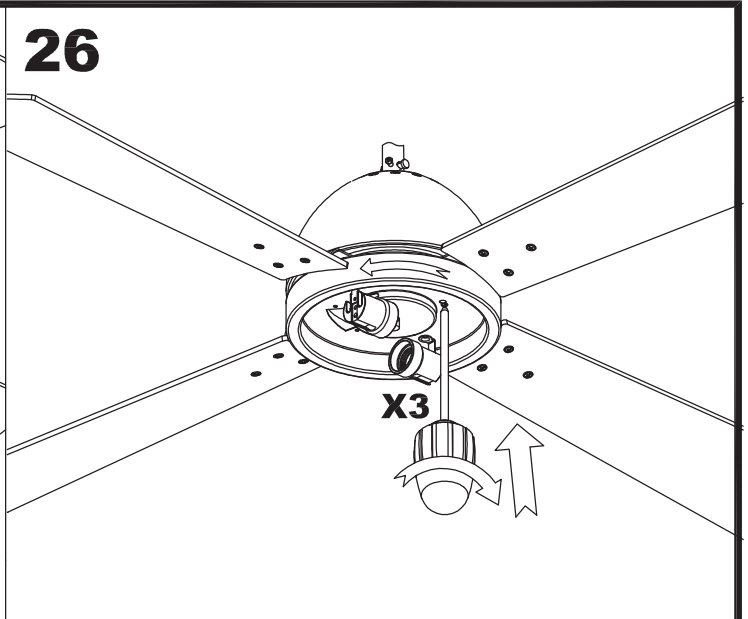
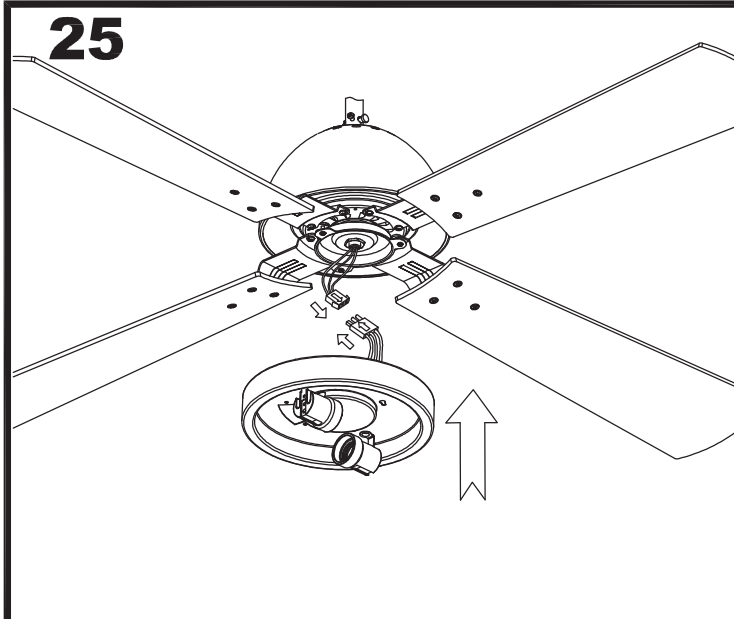


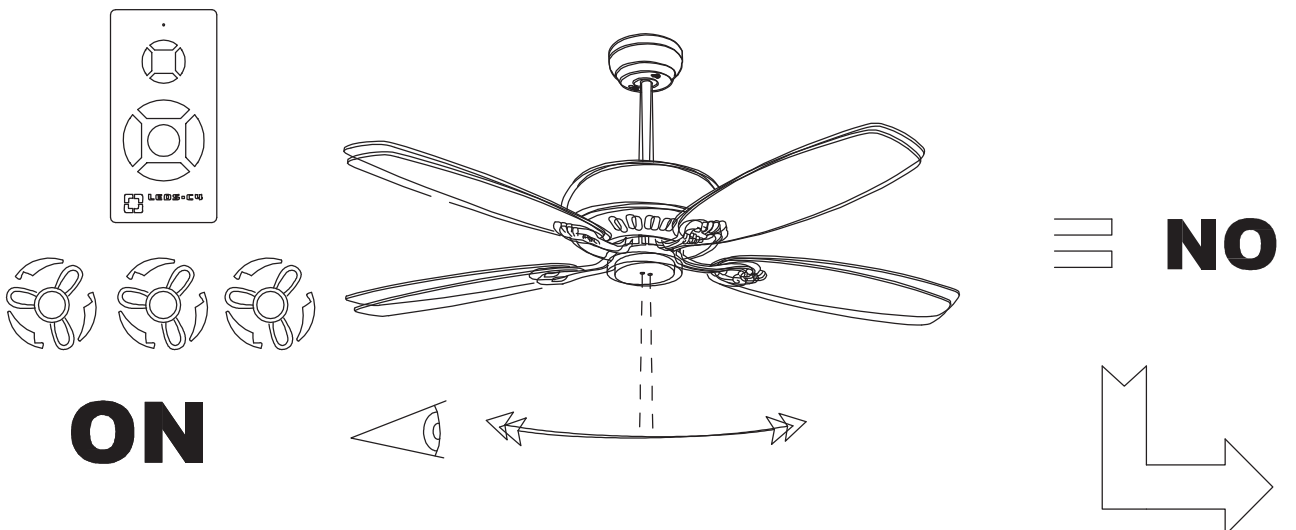
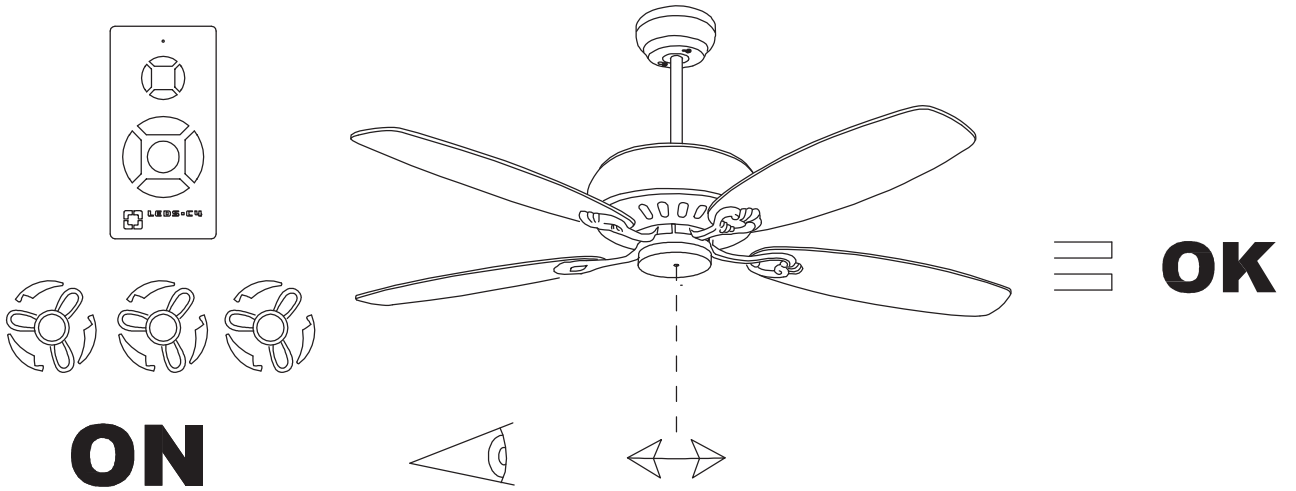
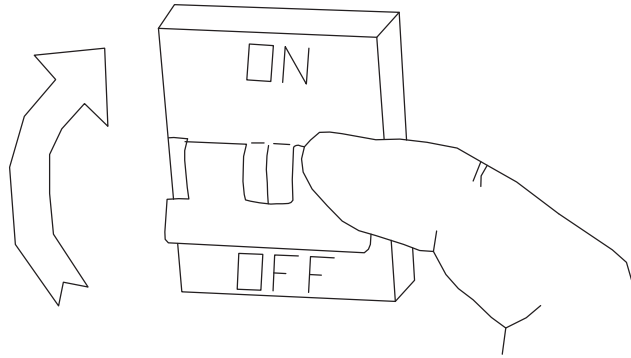
23

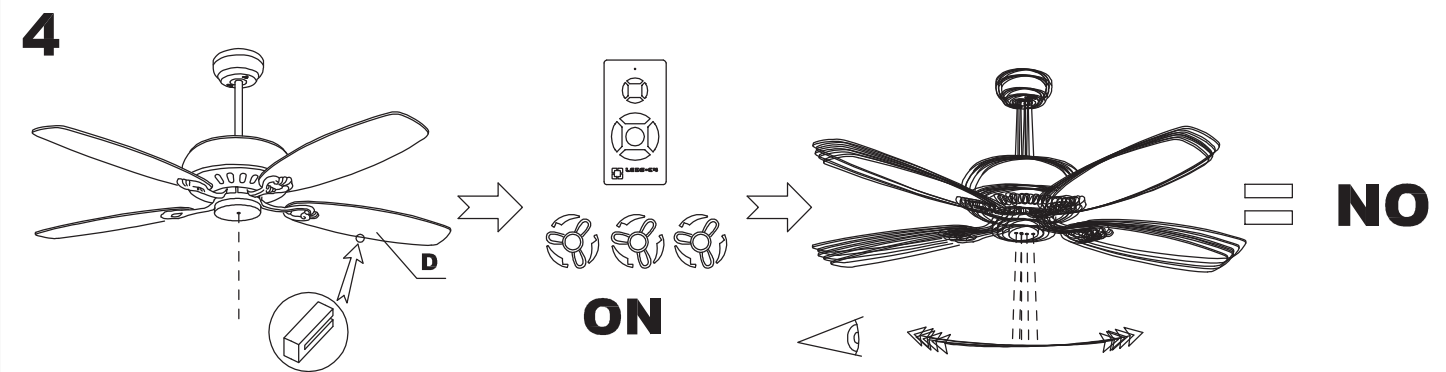
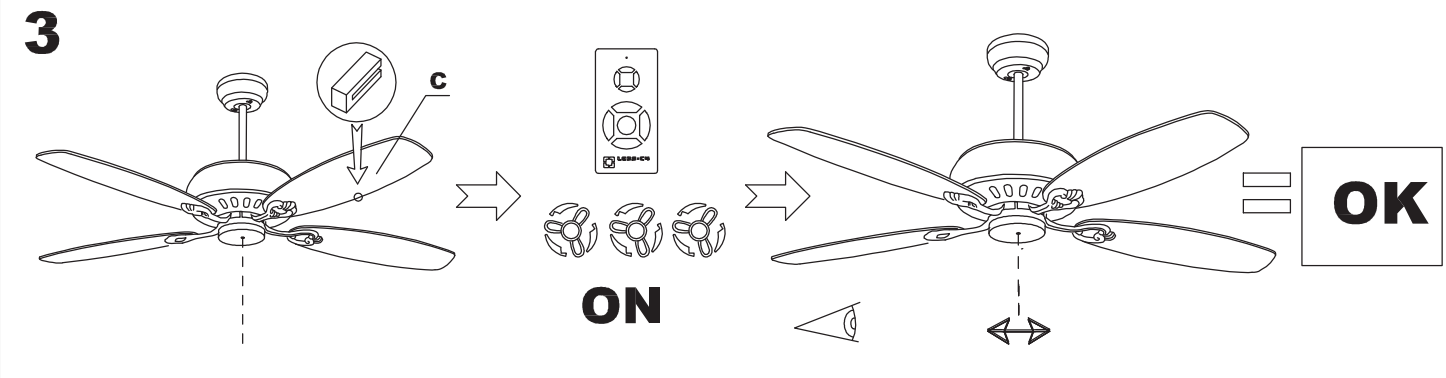
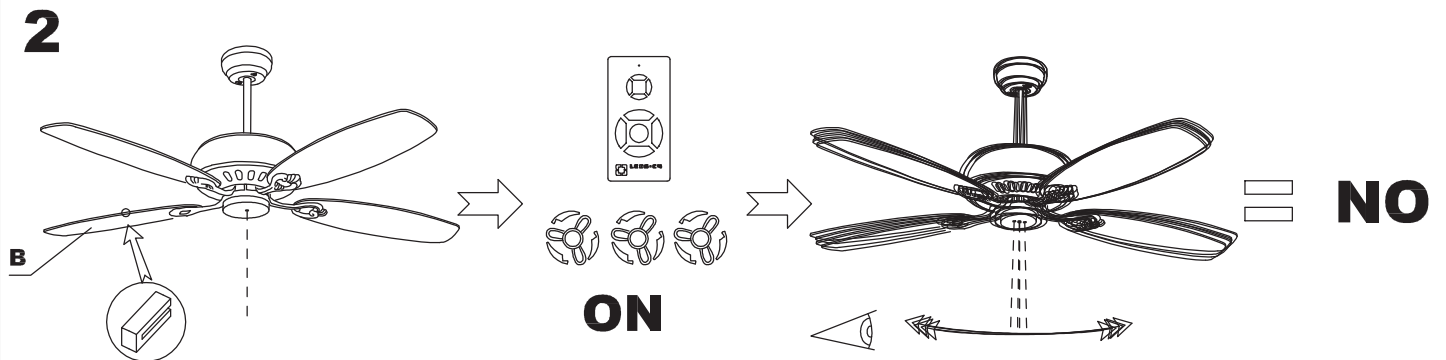
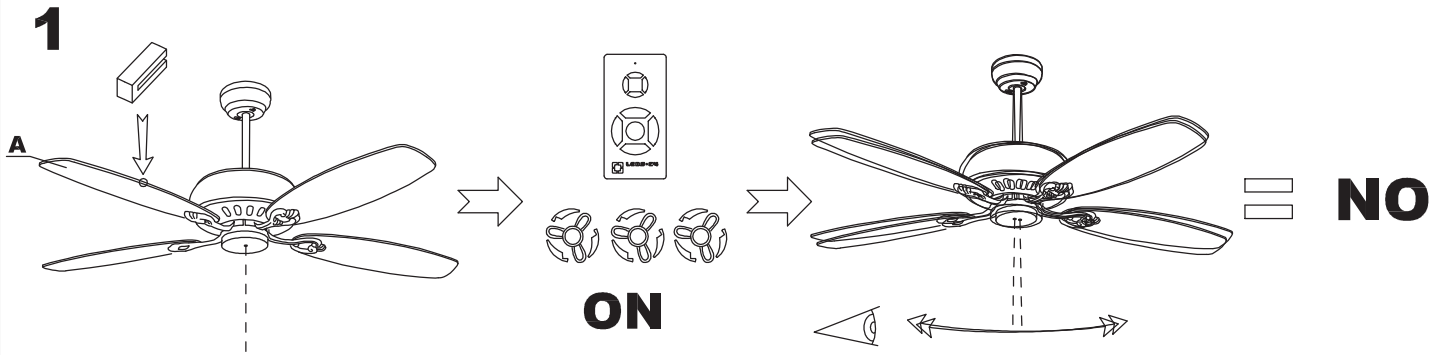
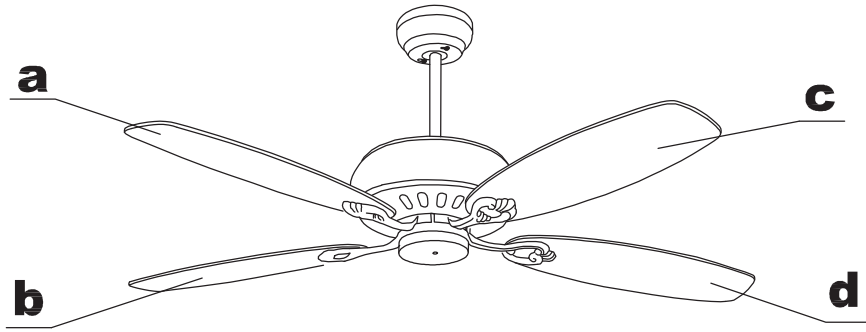


24

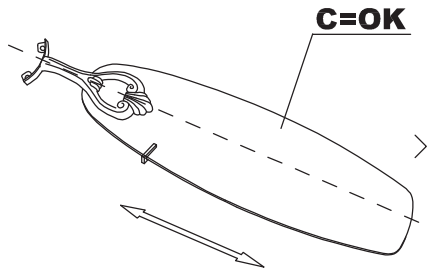




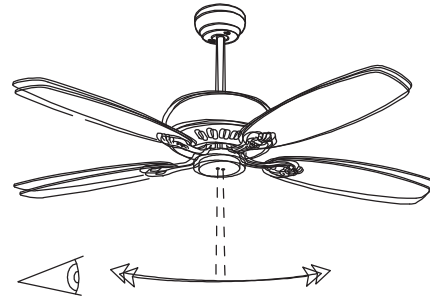




5

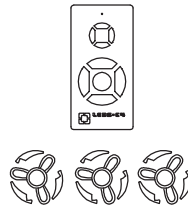
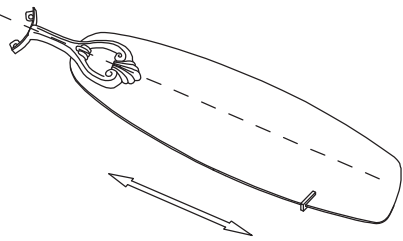


ON

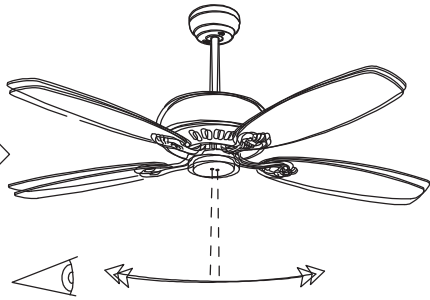


= NO

6

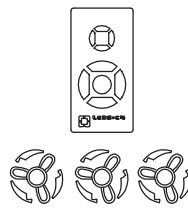
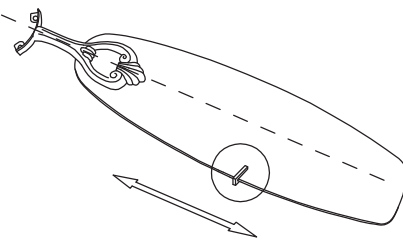


ON

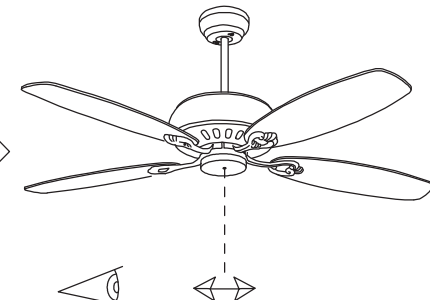


= NO

7



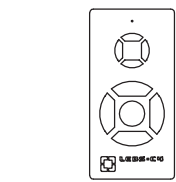
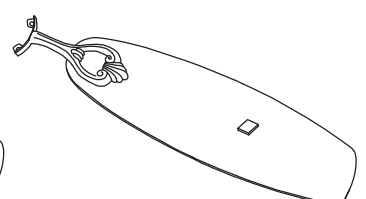
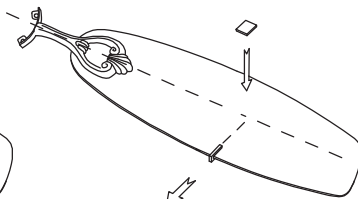
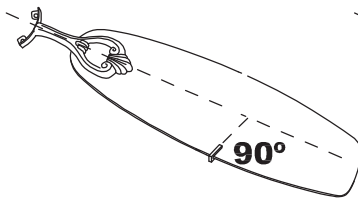
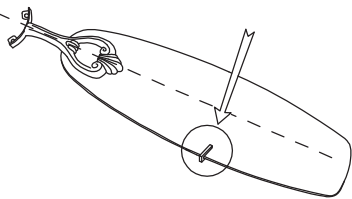
ON



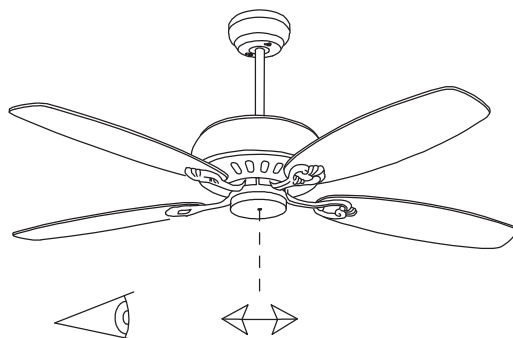
= OK

8

OK



ON



= OK