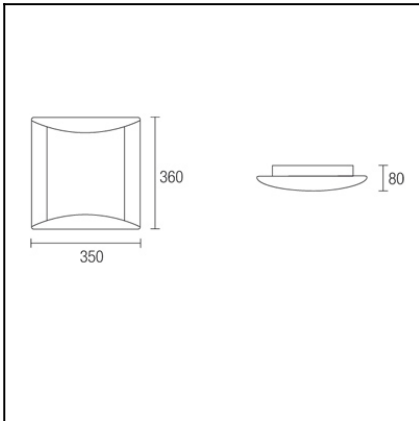




The photograph may not match the reference exactly. Please read the product description to identify the finish.



TECHNICAL CHARACTERISTICS

Type:	Ceiling fixture
IP Protection degrees:	IP23
Lampholder:	2 x G24q3
Power (W):	G24q3 26W
Total power consumption (W):	48
Voltage / Frequency:	230V/50-60Hz
Units per box:	4
Net Weight (Kg):	2.805
EAN:	8435111036679



MATERIALS / FINISHES

Structure material: Steel

Diffuser material: Polycarbonate

Structure finish: Textured grey

Diffuser finish: Matt opal

GEAR

Gear included: Yes, electronic

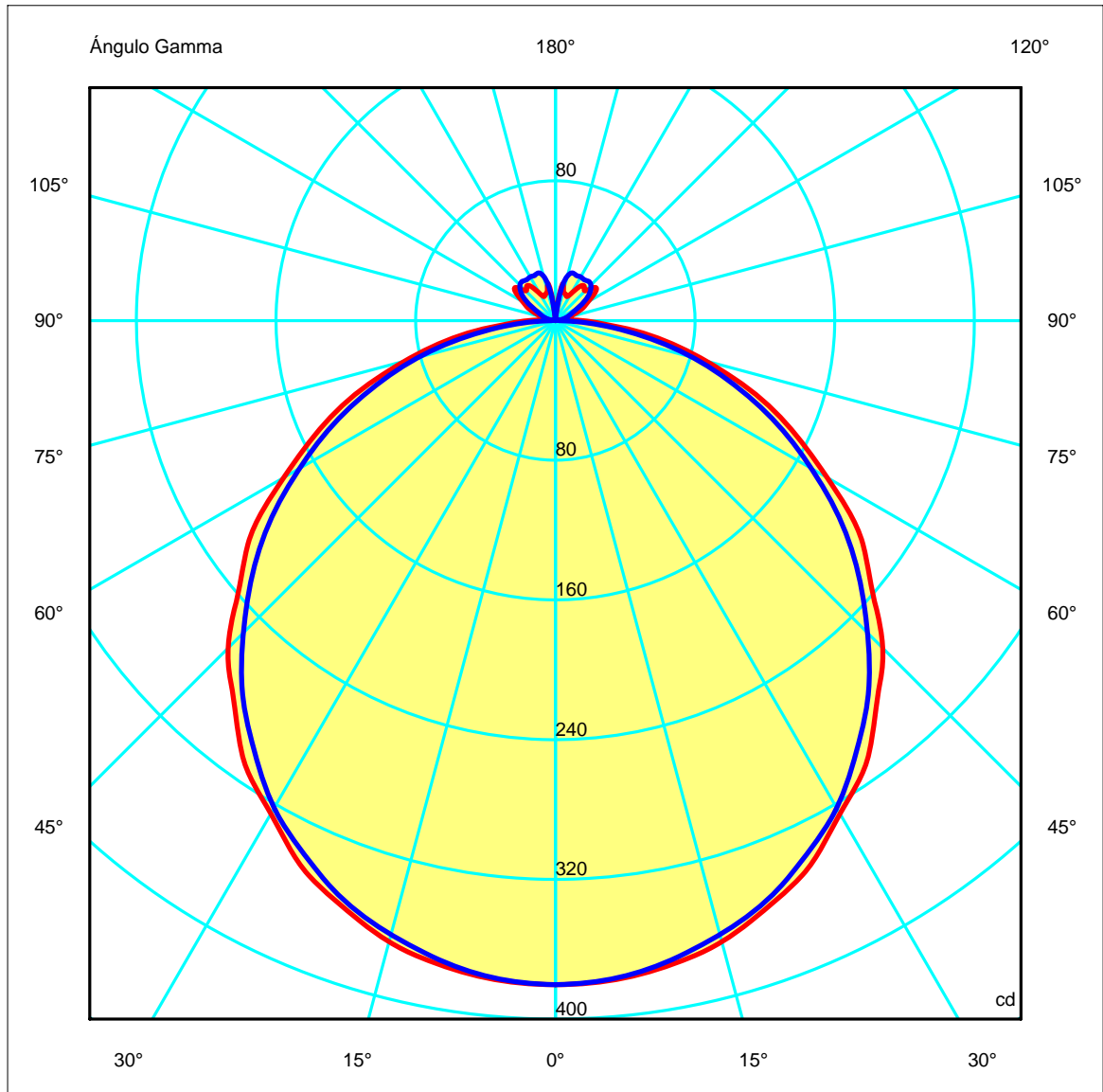
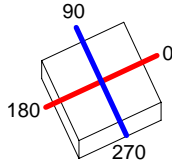
[Download photometric file .ldt / .ies](#)

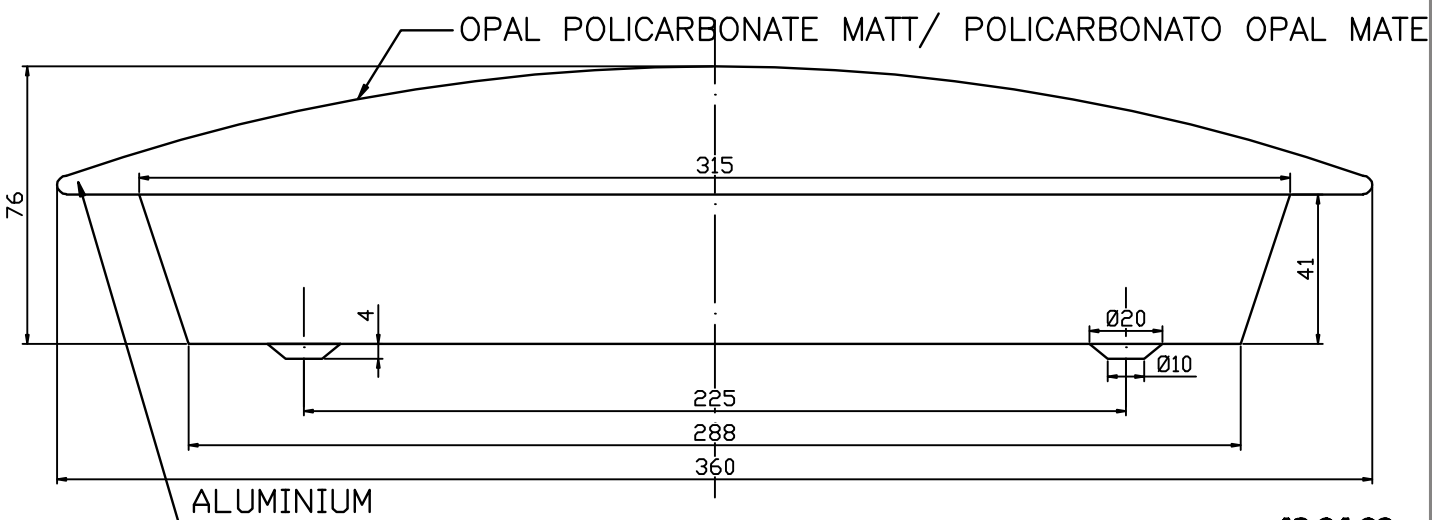
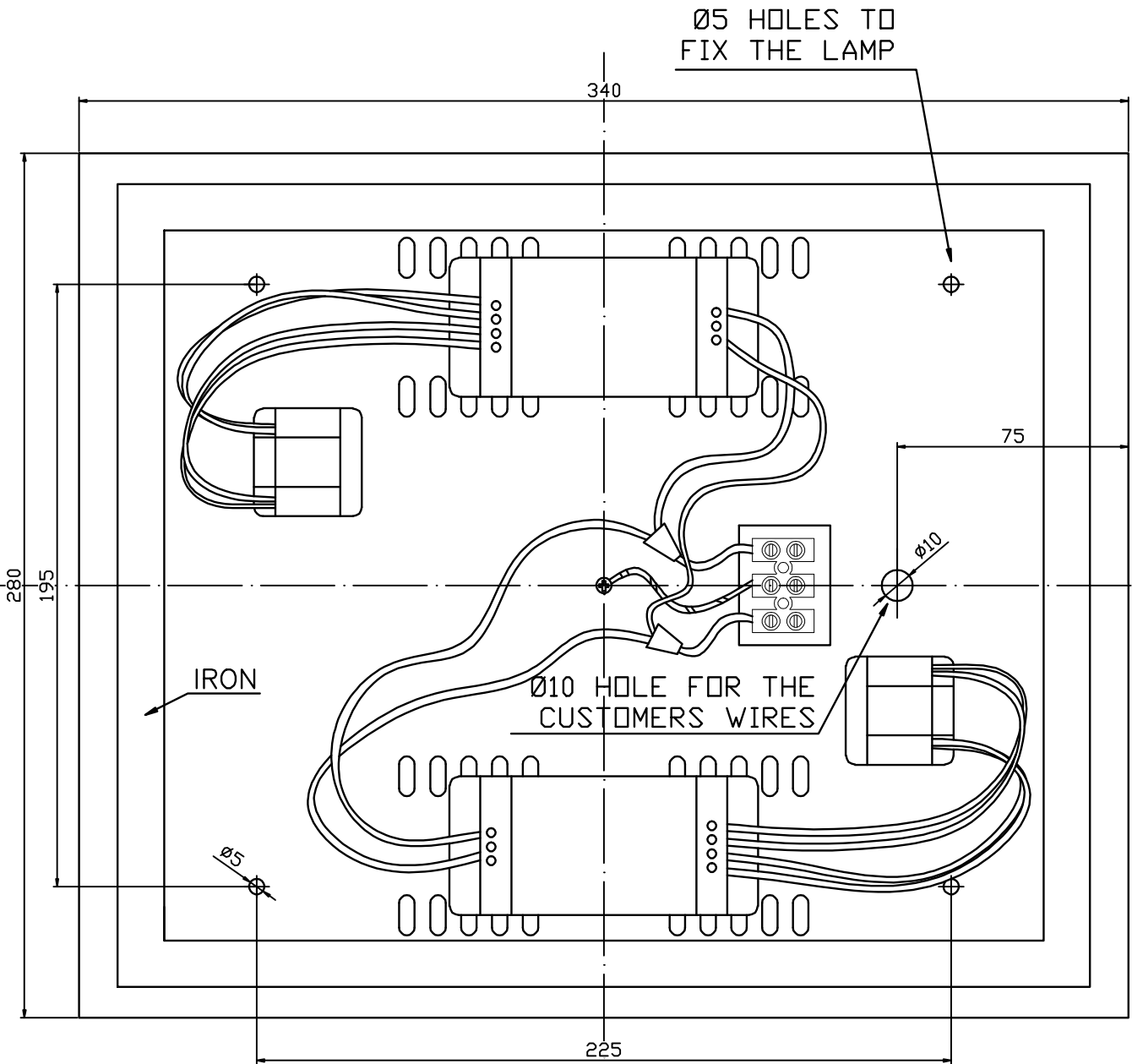
Luminaria		Ensayo		Lámpara	
Código	332-GR	Código	332-GR	Código	PL-C26W/840/4P
Nombre	Plafón ALPEN 2x26W G24q-3 opal	Nombre	Plafón ALPEN 2x26W G24q-3 opal	Número	2
Familia	- LEDS-C4	Fecha	19-03-2010	Posición	Universal
Eficiencia	33.38%	Sist. de Coordin.	C-G	Flujo Total	3600.00 lm
Valor Máximo	380.23 cd	Posición	C=0.00 G=0.00		Bisimétrico

350mm x 360mm

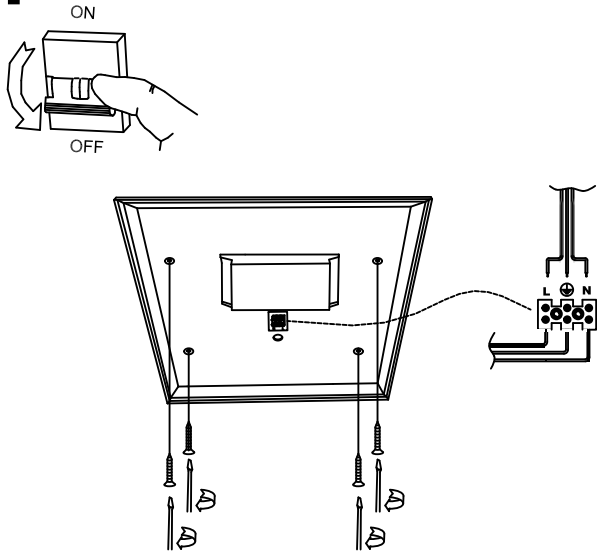
Semiplanos C

180.0 ——— 0.0
270.0 ——— 90.0

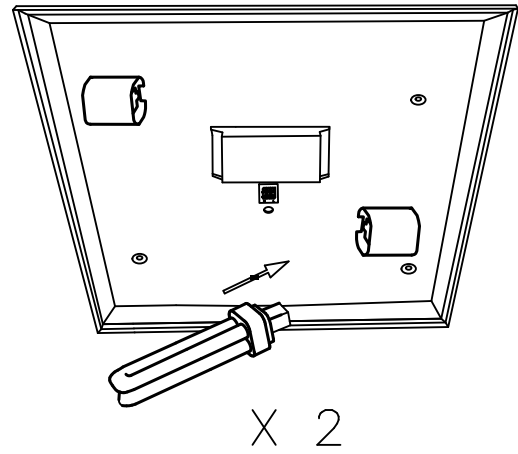




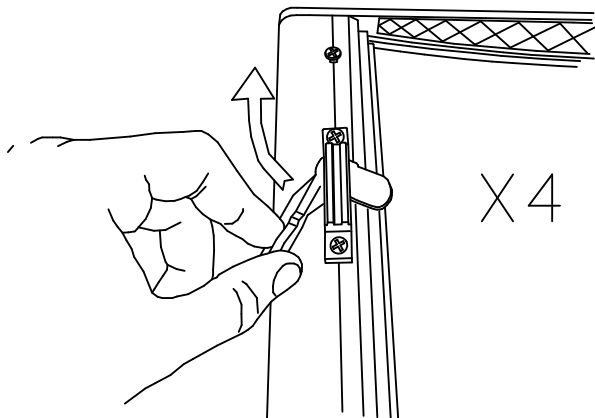
1



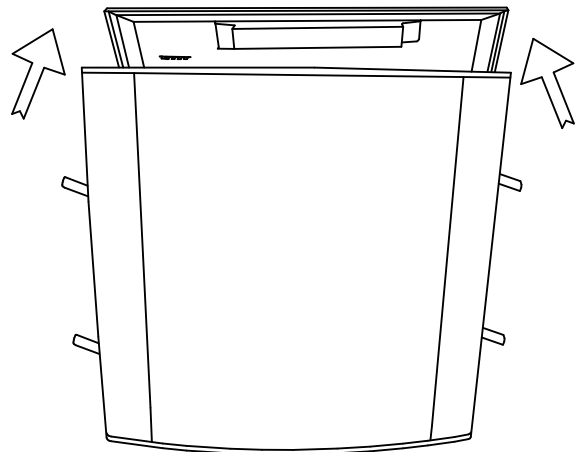
2



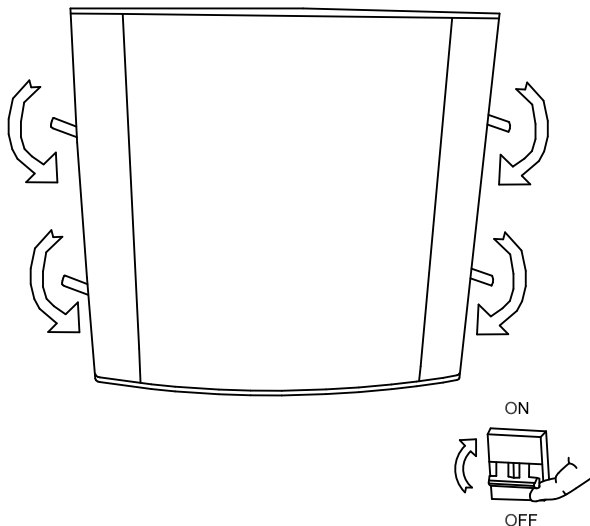
3



4



5



6

