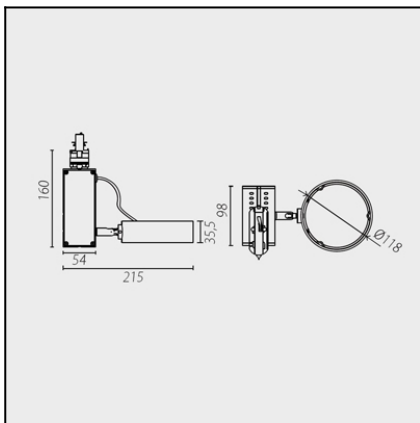


The photograph may not match the reference exactly. Please read the product description to identify the finish.

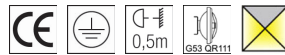


DESCRIPTION

Track mounted spotlight for halogen lamps, discharge lamps and 111mm diameter LED lights. Body made up of extruded aluminium and injected aluminium parts. Finish in white or black. Includes a tilting gimbal allowing multidirectional rotation and also rotation towards the unit. Surface installation possible with additional kit.

TECHNICAL CHARACTERISTICS

Type:	Spotlight
Adjustable 355° on the vertical axis.2	
Adjustable 355° on the horizontal axis.	
Adjustable from 0° to 60° on the horizontal axis.	
IP Protection degrees:	IP20
Lampholder:	1 x G53
Power (W):	G53 100
Voltage / Frequency:	220-240V/50-60Hz
Warranty (Years):	2
Units per box:	1
EAN:	8435111099209,00

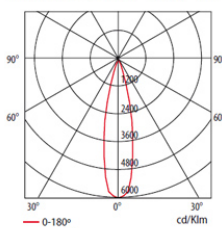


MATERIALS / FINISHES

Structure material: Aluminium

Structure finish: White

QR-111 G53 60W 24°

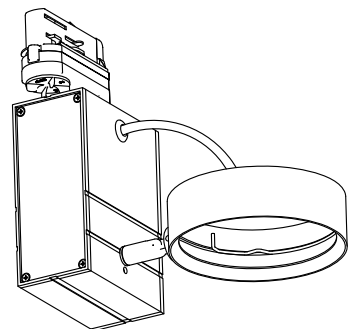
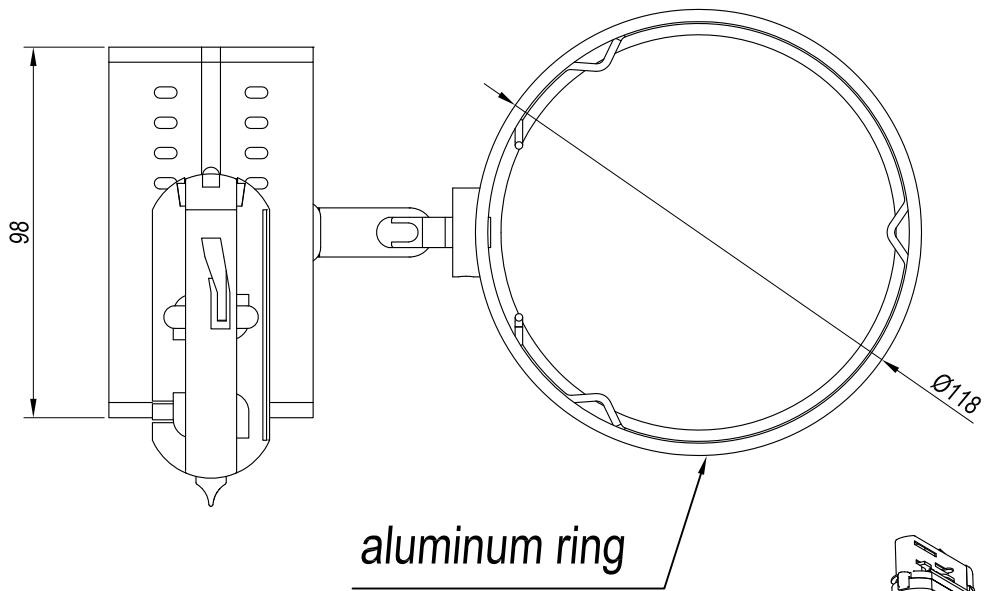
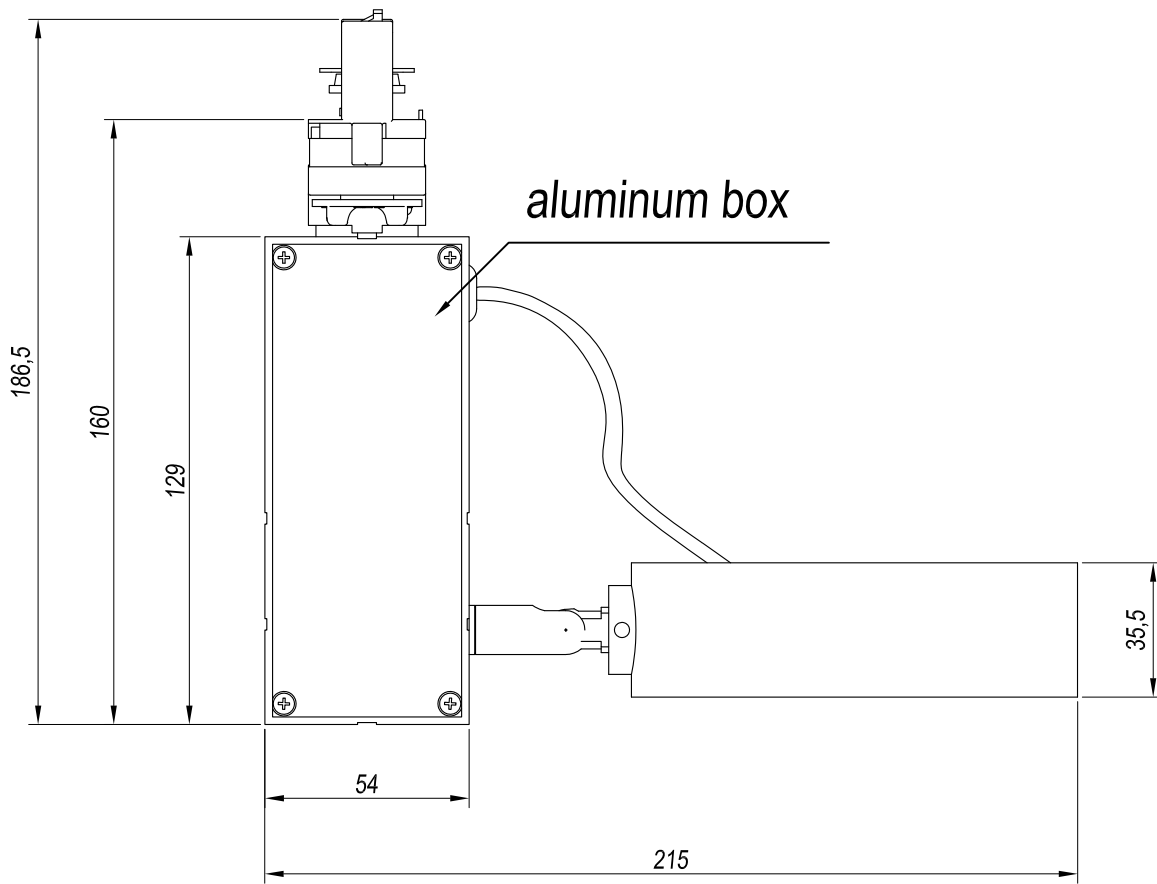


H (m)	Emed (lux)	D (m)
1	6057.03	0.40
2	1514.26	0.80
3	673.00	1.20
4	378.56	1.59

GEAR

Gear included: Yes, electronic

Download photometric file .ldt / .ies



REF.	LAMP	SOCKET
35-1557-14/60-00	CDM-R111 35W	GX8.5
35-1558-14/60-00	CDM-R111 70W	GX8.5
35-1559-14/60-00	QR-111 MAX 100W/ AR-111 LED MAX 15W	G53
35-1565-14/60-00	AR-111 LED MAX 15W	GU10

