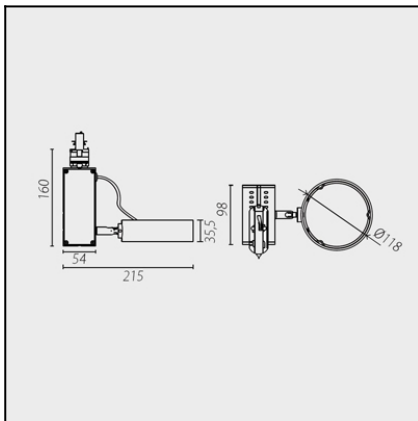




The photograph may not match the reference exactly. Please read the product description to identify the finish.

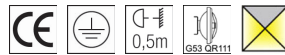


### DESCRIPTION

Track mounted spotlight for halogen lamps, discharge lamps and 111mm diameter LED lights. Body made up of extruded aluminium and injected aluminium parts. Finish in white or black. Includes a tilting gimbal allowing multidirectional rotation and also rotation towards the unit. Surface installation possible with additional kit.

### TECHNICAL CHARACTERISTICS

Type:	Spotlight
Adjustable 355° on the horizontal axis.	
Adjustable 355° on the vertical axis.2	
Adjustable from 0° to 60° on the horizontal axis.	
IP Protection degrees:	IP20
Lampholder:	1 x G53
Power (W):	G53 100
Voltage / Frequency:	220-240V/50-60Hz
Warranty (Years):	2
Units per box:	1
EAN:	8435111099216,00



### MATERIALS / FINISHES

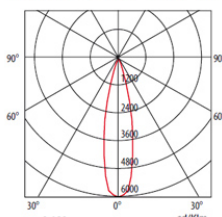
**Structure material:** Aluminium

**Structure finish:** Black

### GEAR

Gear included: Yes, electronic

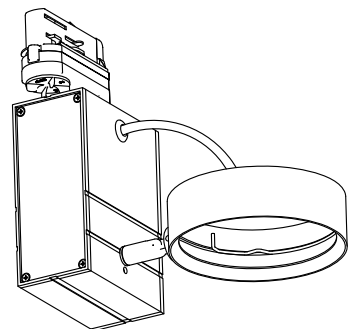
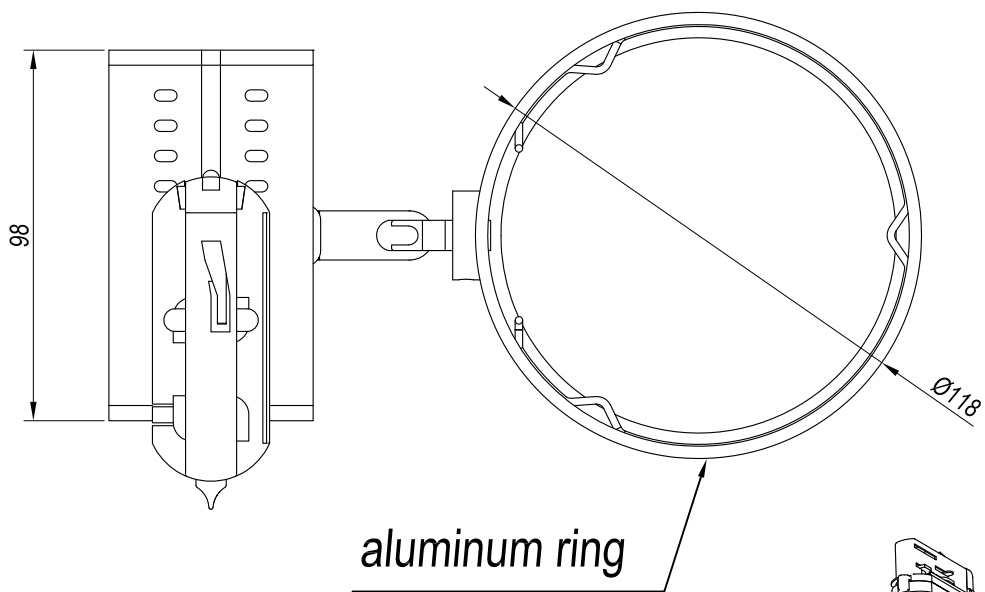
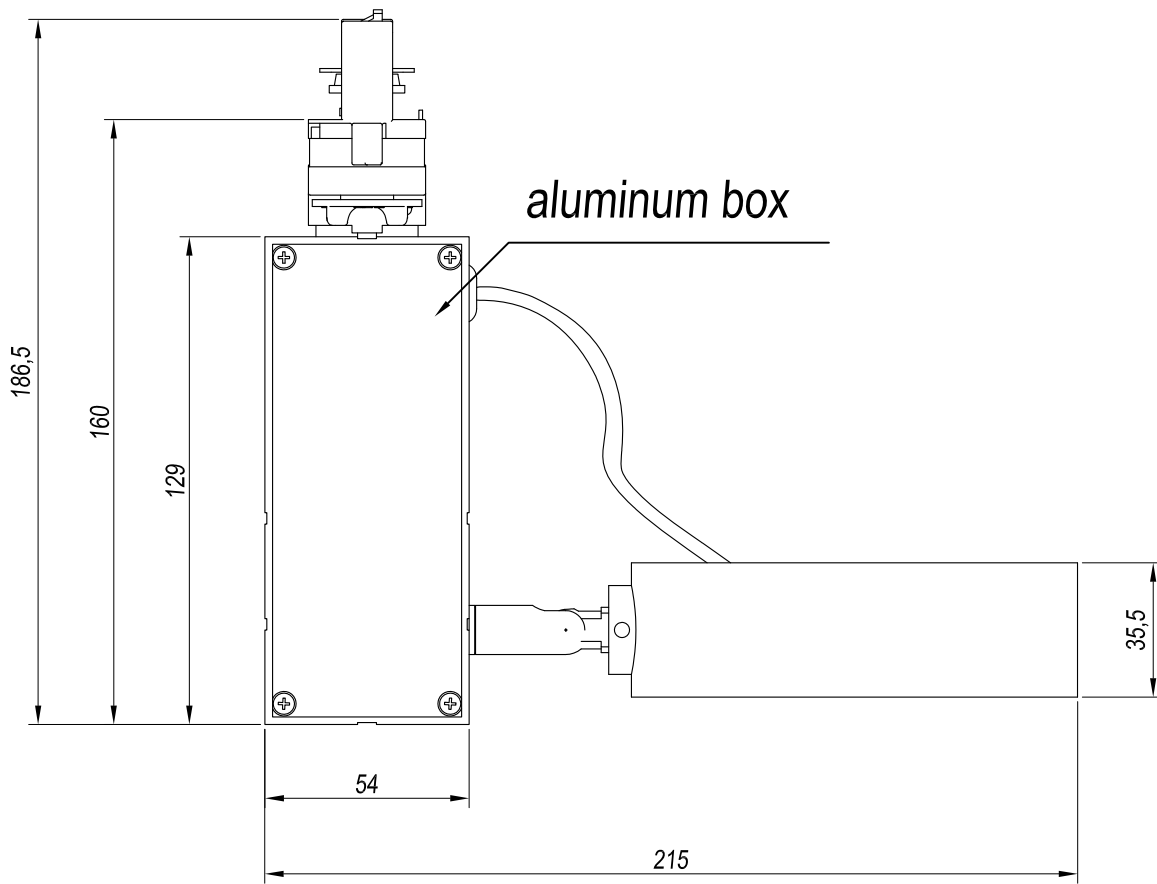
### QR-111 G53 60W 24°



$\eta=100\%$

H (m)	Emed (lux)	D (m)
1	6057.03	0.40
2	1514.26	0.80
3	673.00	1.20
4	378.56	1.59

Download photometric file .ldt /.ies



REF.	LAMP	SOCKET
35-1557-14/60-00	CDM-R111 35W	GX8.5
35-1558-14/60-00	CDM-R111 70W	GX8.5
35-1559-14/60-00	QR-111 MAX 100W/ AR-111 LED MAX 15W	G53
35-1565-14/60-00	AR-111 LED MAX 15W	GU10

