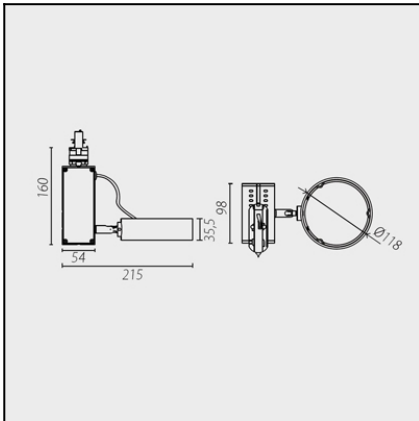


The photograph may not match the reference exactly. Please read the product description to identify the finish.



## TECHNICAL CHARACTERISTICS

Type:	Spotlight
Adjustable 355° on the horizontal axis.	
Adjustable 355° on the vertical axis.2	
IP Protection degrees:	IP20
Lampholder:	1 x GU10
Power (W):	GU10 15
Voltage / Frequency:	220-240V/50-60Hz
Warranty (Years):	2
Units per box:	1
EAN:	8435111099223,00

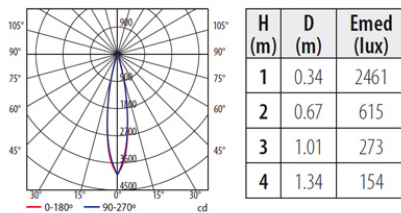


## MATERIALS / FINISHES

**Structure material:** Aluminium

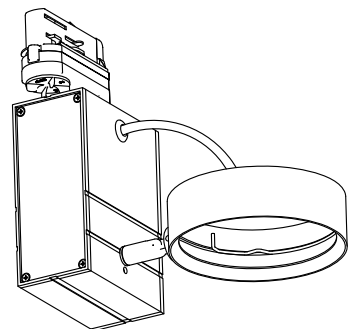
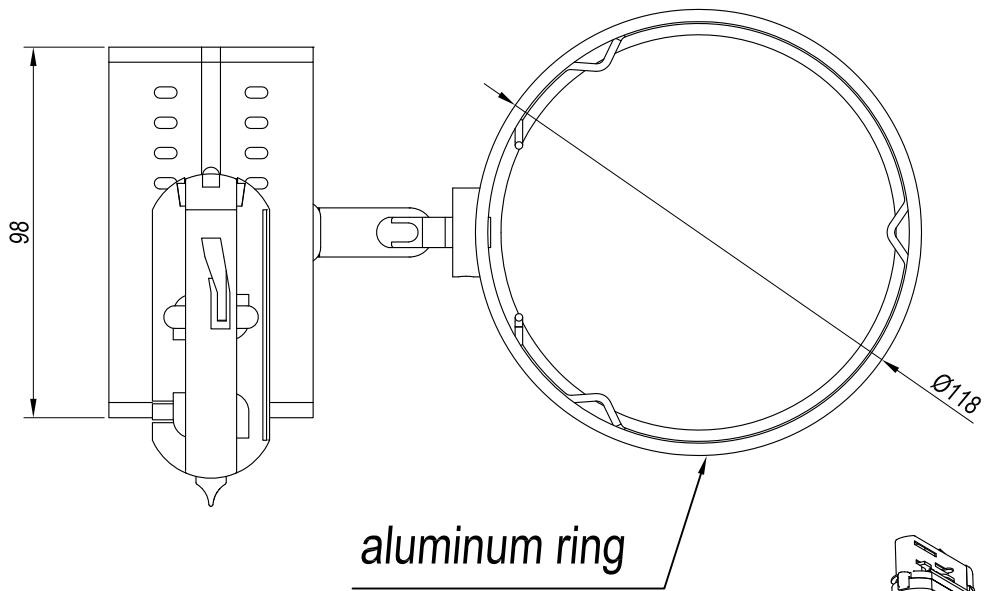
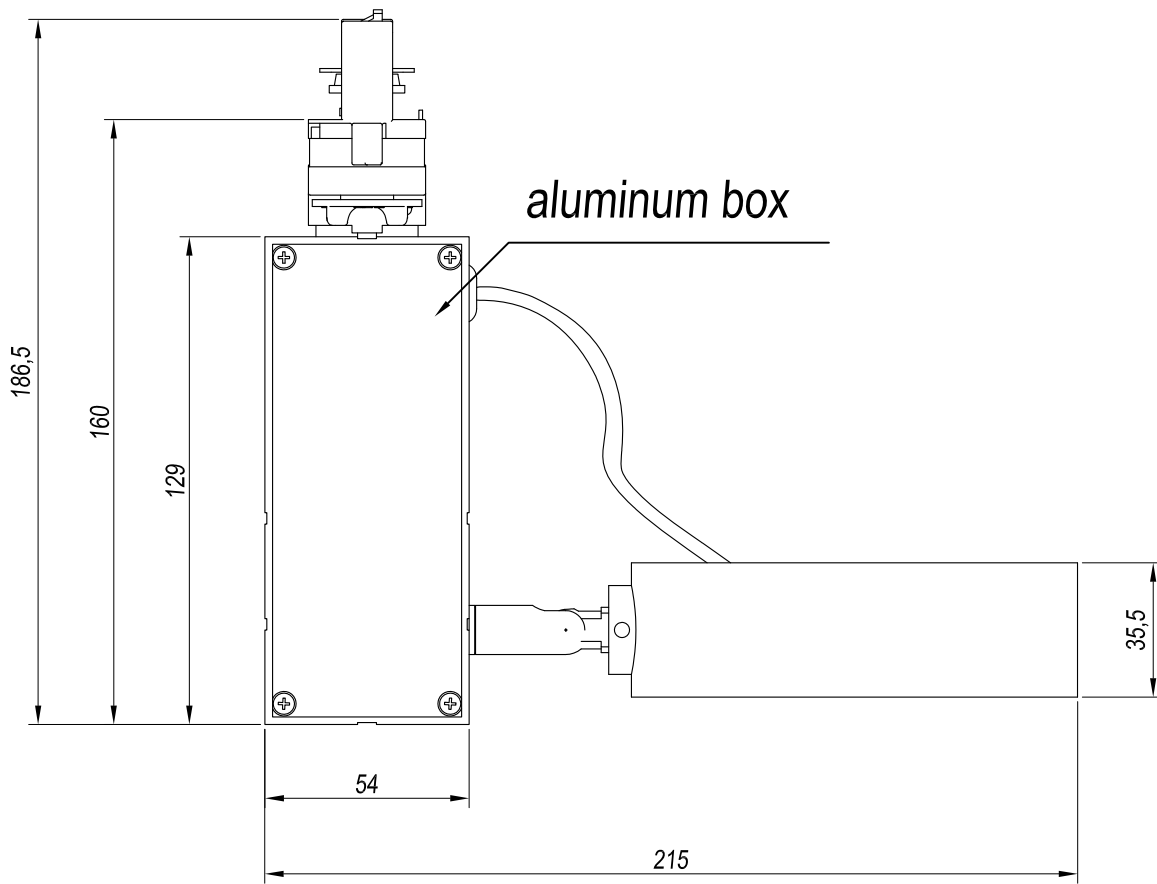
**Structure finish:** White

### QR-111 LED GU10/G53 10W 24°



$\eta=100\%$

Download photometric file .ldt / .ies



REF.	LAMP	SOCKET
35-1557-14/60-00	CDM-R111 35W	GX8.5
35-1558-14/60-00	CDM-R111 70W	GX8.5
35-1559-14/60-00	QR-111 MAX 100W/ AR-111 LED MAX 15W	G53
35-1565-14/60-00	AR-111 LED MAX 15W	GU10

