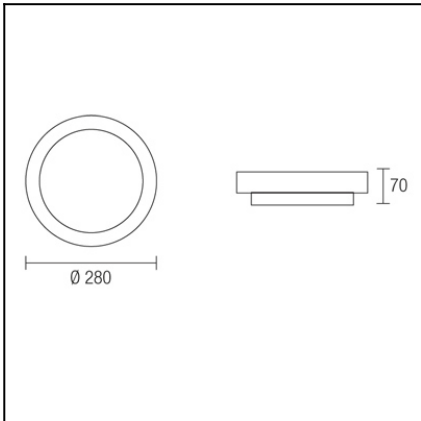




The photograph may not match the reference exactly. Please read the product description to identify the finish.



Download photometric file .ldt /.ies

TECHNICAL CHARACTERISTICS

| | |
|------------------------------|------------------|
| Type: | Ceiling fixture |
| IP Protection degrees: | IP23 |
| Lampholder: | 1 x R7s |
| Power (W): | R7s MAX 100W |
| Bulb included: | 1 x R7s MAX 80W |
| Total power consumption (W): | 100 |
| Voltage / Frequency: | 220-240V/50-60Hz |
| Units per box: | 6 |
| Net Weight (Kg): | 1.2 |
| EAN: | 8435111032954 |



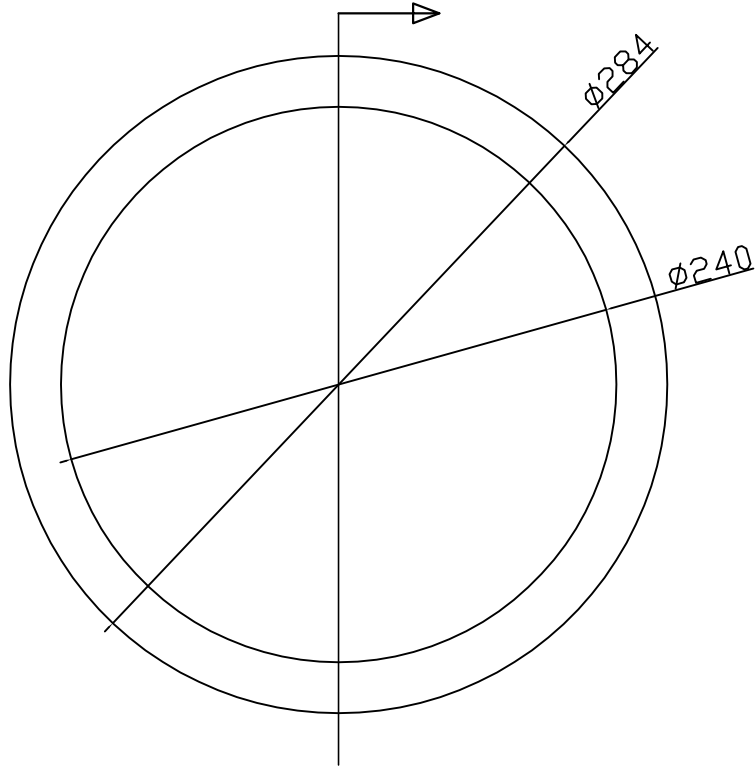
MATERIALS / FINISHES

Structure material: Steel
Structure finish: Satin nickel

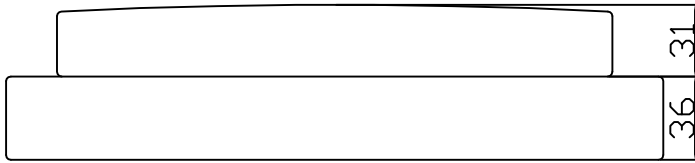
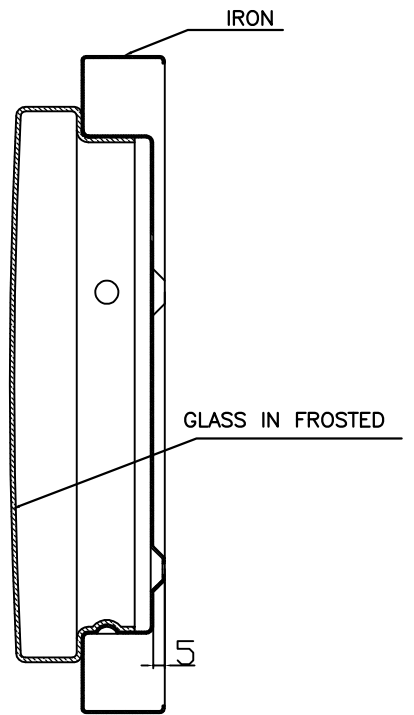
Diffuser material: Glass
Diffuser finish: Opal

100W R-7S

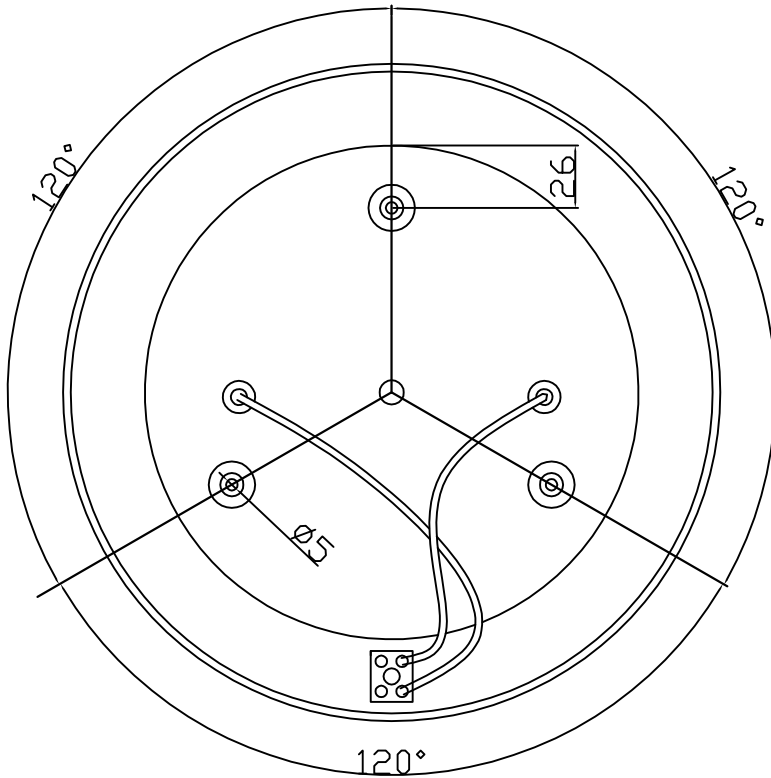
Section-A



Section-A



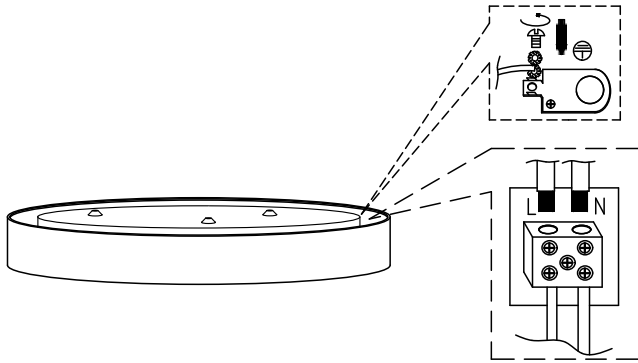
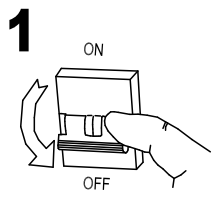
SYSTEM OF FIXING THE WALL



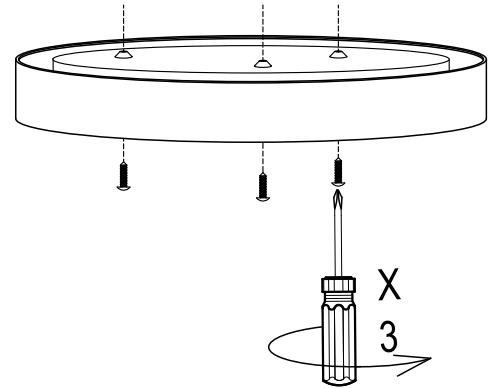
ERROR: syntaxerror
OFFENDING COMMAND: --nostringval--

STACK:

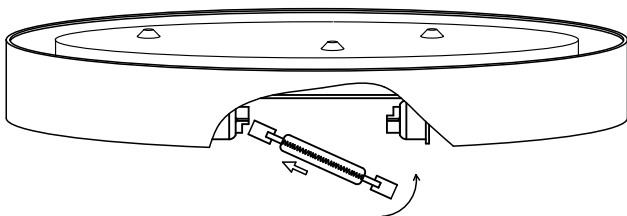
/Title
()
/Subject
(D:20091102094441+01'00')
/ModDate
()
/Keywords
(PDFCreator Version 0.9.5)
/Creator
(D:20091102094441+01'00')
/CreationDate
(ctiana)
/Author
-mark-



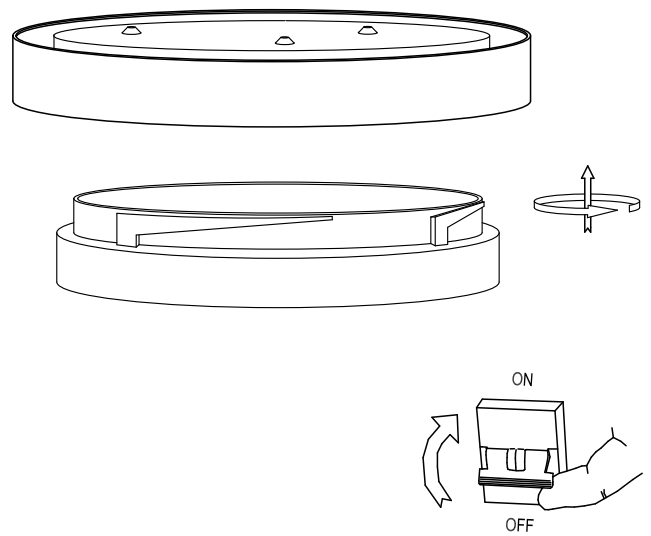
2



3



4



5

