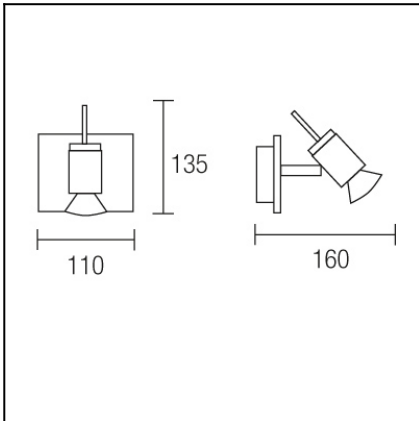


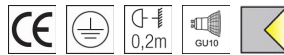


The photograph may not match the reference exactly. Please read the product description to identify the finish.



TECHNICAL CHARACTERISTICS

Type:	Wall fixture
IP Protection degrees:	IP20
Lampholder:	1 x GU10
Power (W):	GU10 MAX 50W
Bulb included:	1 x GU10 MAX 50W
Total power consumption (W):	50
Voltage / Frequency:	220-240V/50-60Hz
Units per box:	6
Net Weight (Kg):	0.6
EAN:	8435111036099



MATERIALS / FINISHES

Structure material: Steel
Structure finish: Chrome

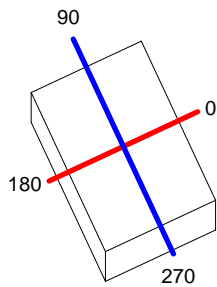
Diffuser material: Glass
Diffuser finish: Transparent

Download photometric file .ldt / .ies

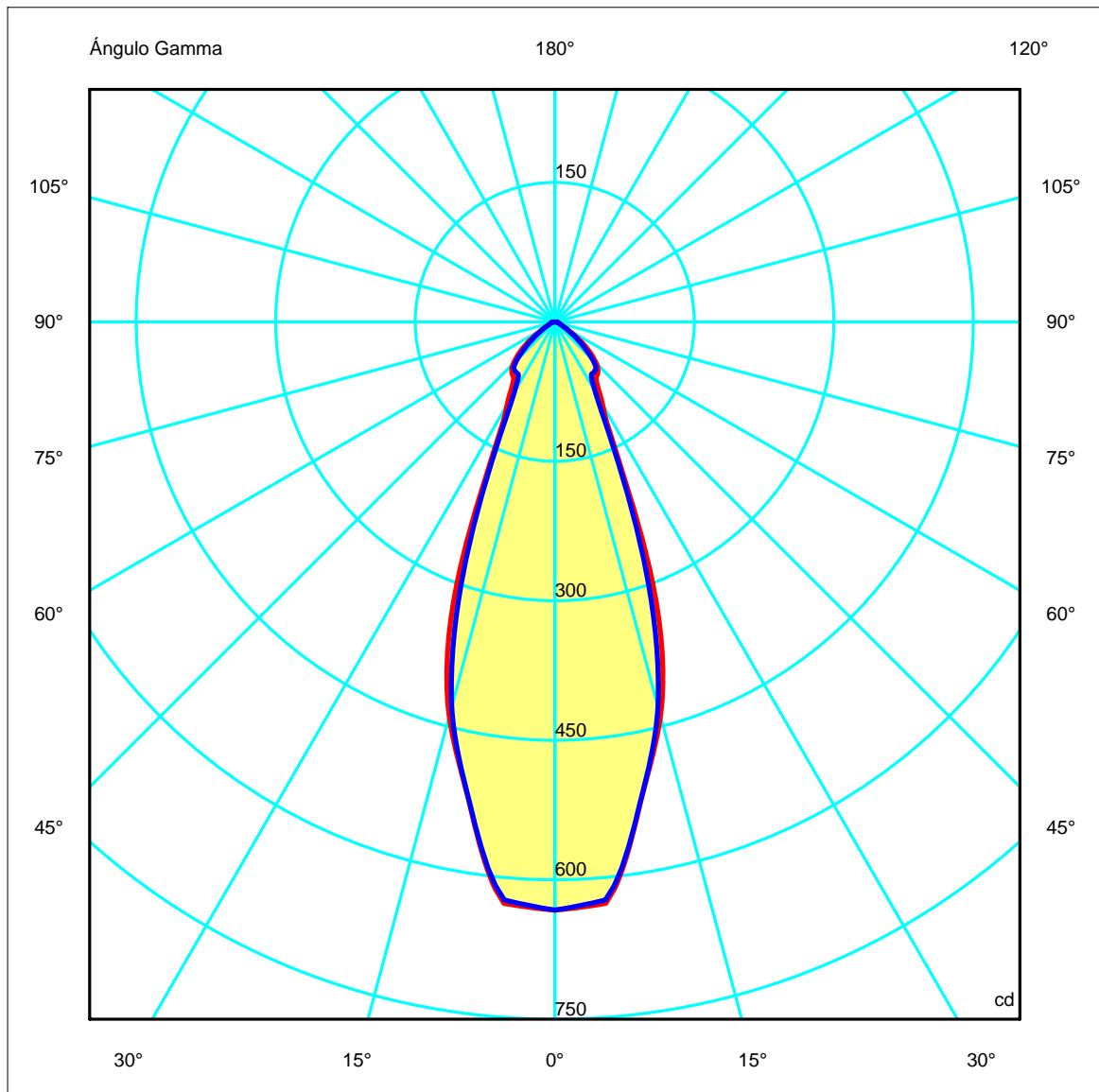
Luminaria		Ensayo		Lámpara	
Código	380-CR	Código	380-CR	Código	64826FL
Nombre	Aplicado FLASH 1x50W GU10	Nombre	Aplicado FLASH 1x50W GU10 230V	Número	1
Familia	- LEDS-C4	Fecha	08-03-2010	Posición	Universal
Eficiencia	100.00%	Sist. de Coorden.	C-G	Flujo Total	370.00 lm
Valor Máximo	632.56 cd	Posición	C=0.00 G=0.00	Bisimétrico	

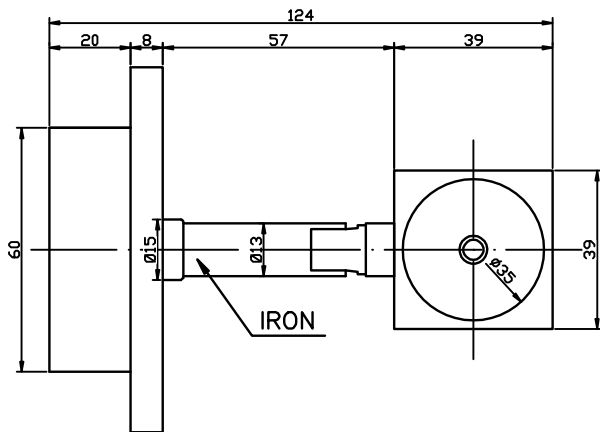
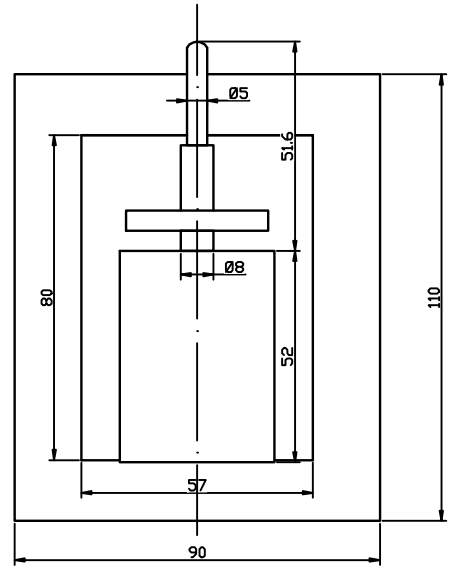
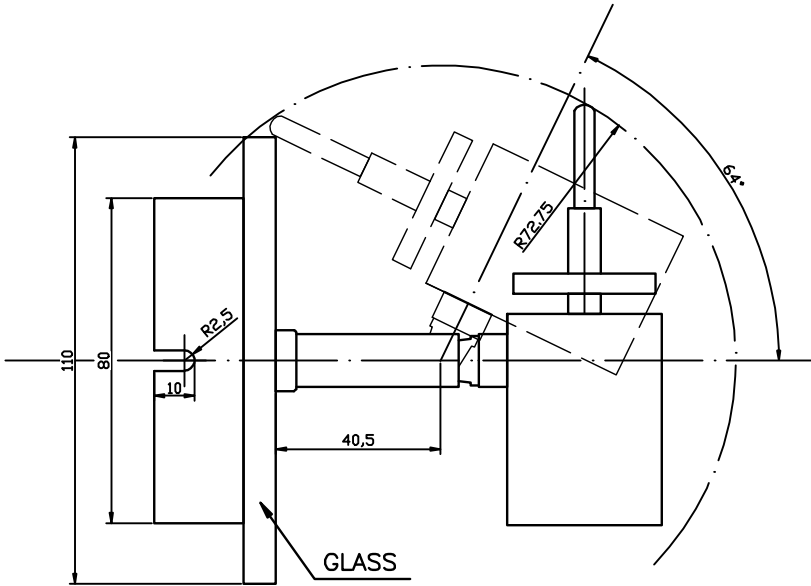
130mm x 90mm

Semiplanos C

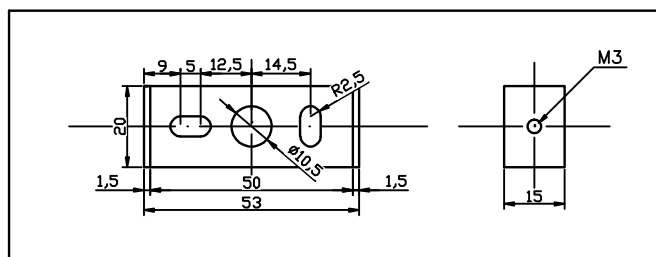


180.0 ————— 0.0
 270.0 ————— 90.0

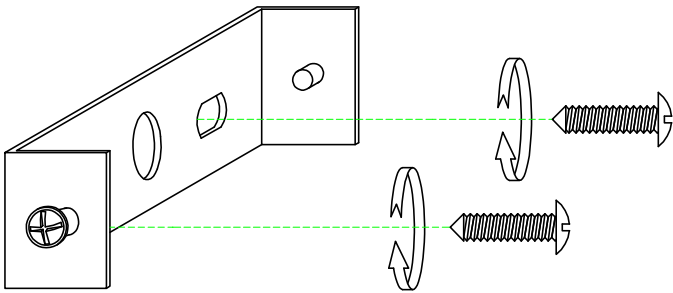
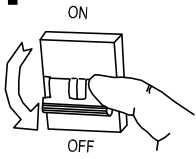




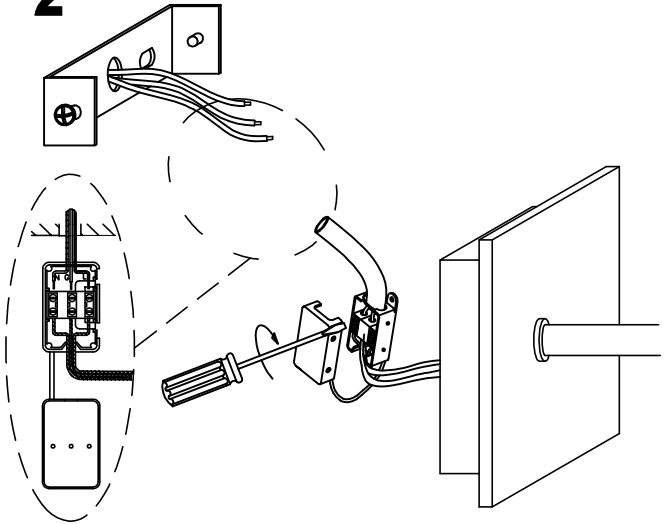
FIXATION SYSTEM



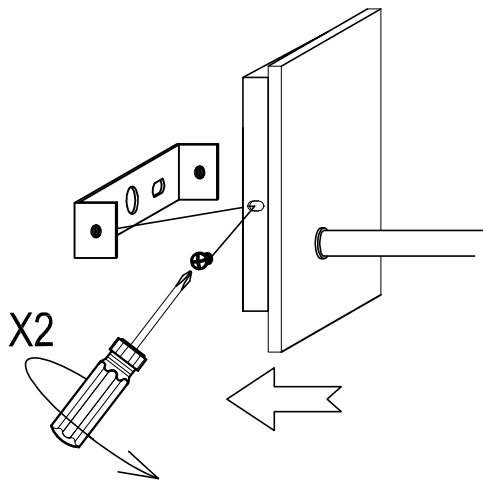
1



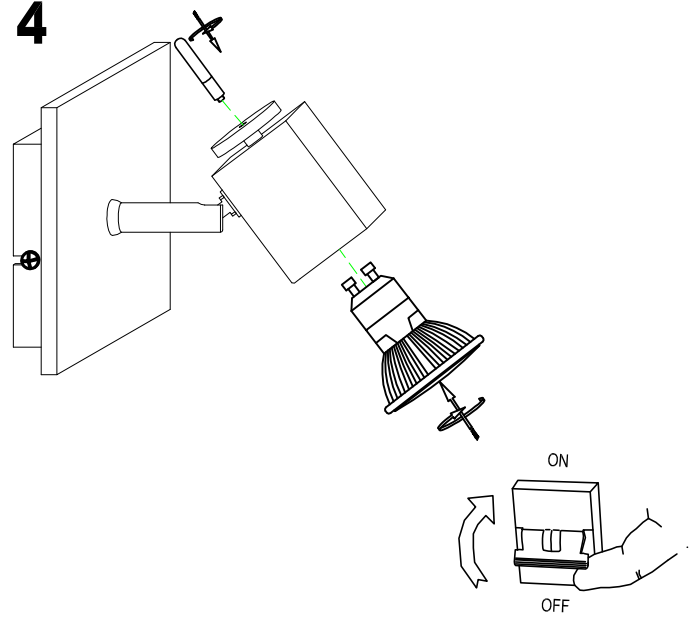
2



3



4



5

