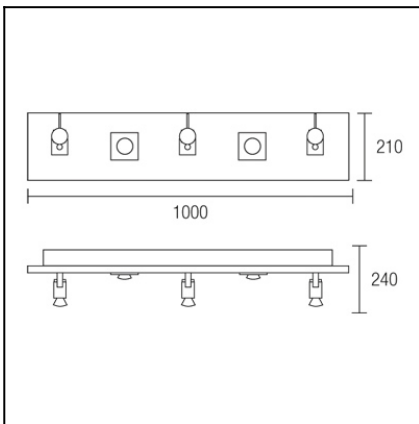




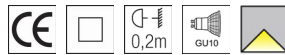
The photograph may not match the reference exactly. Please read the product description to identify the finish.



[Download photometric file .ldt /.ies](#)

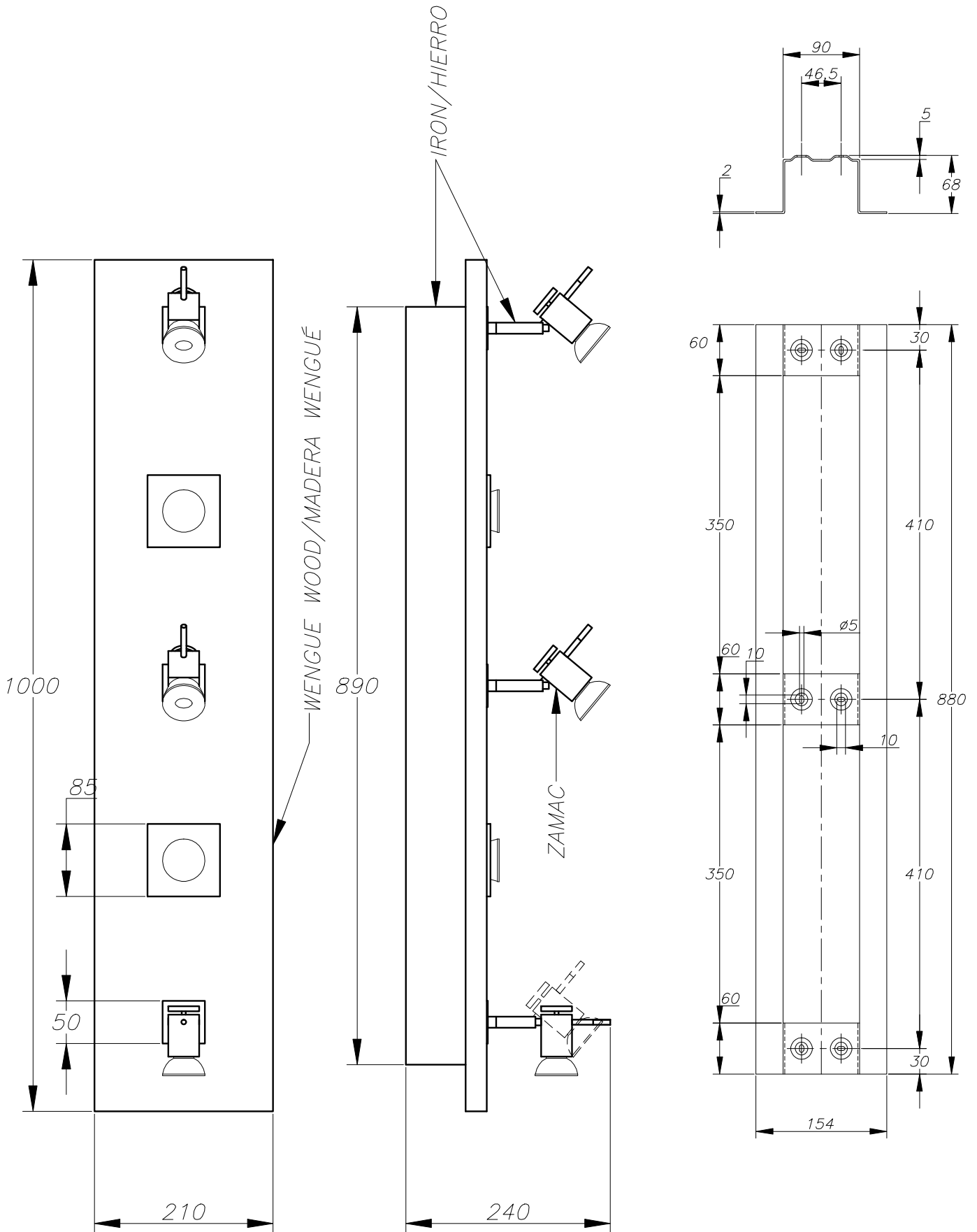
### TECHNICAL CHARACTERISTICS

Type:	Pendant
IP Protection degrees:	IP20
Lampholder:	5 x GU10
Power (W):	GU10 MAX 50W
Bulb included:	5 x GU10 MAX 50W
Total power consumption (W):	250
Voltage / Frequency:	220-240V/50-60Hz
Units per box:	2
Net Weight (Kg):	7.85
EAN:	8435111036341

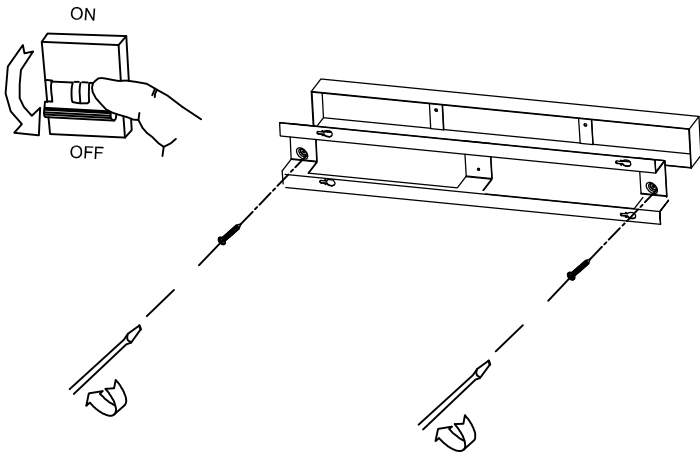


### MATERIALS / FINISHES

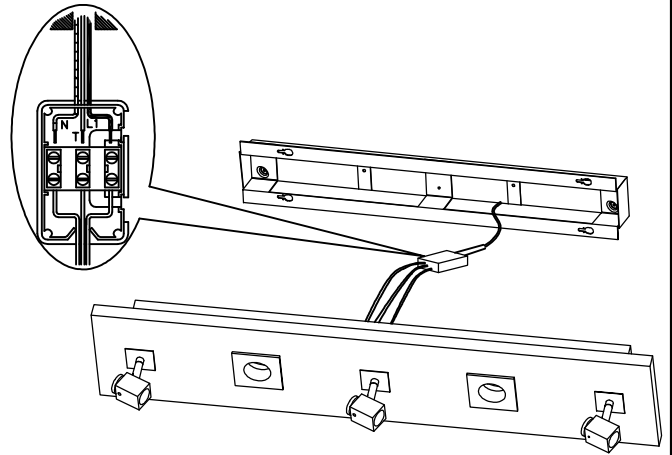
<b>Structure material:</b>	Steel Wenge-colored finish
<b>Structure finish:</b>	Chrome



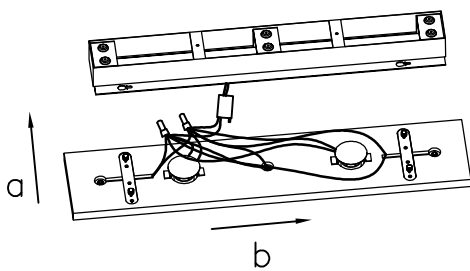
**1**



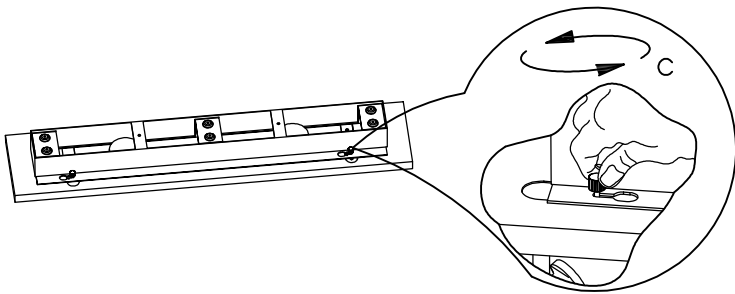
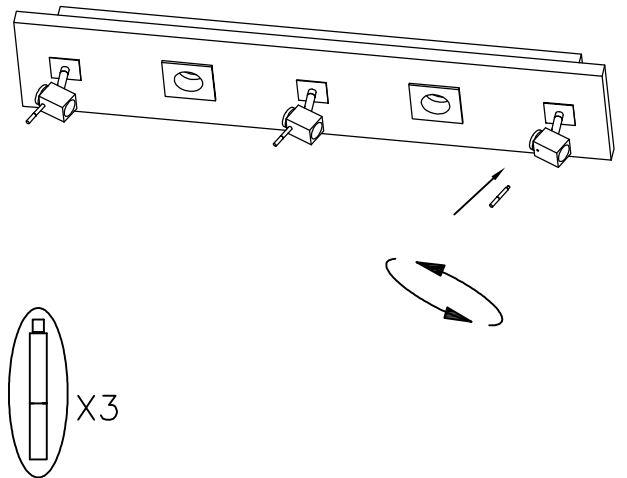
**2**



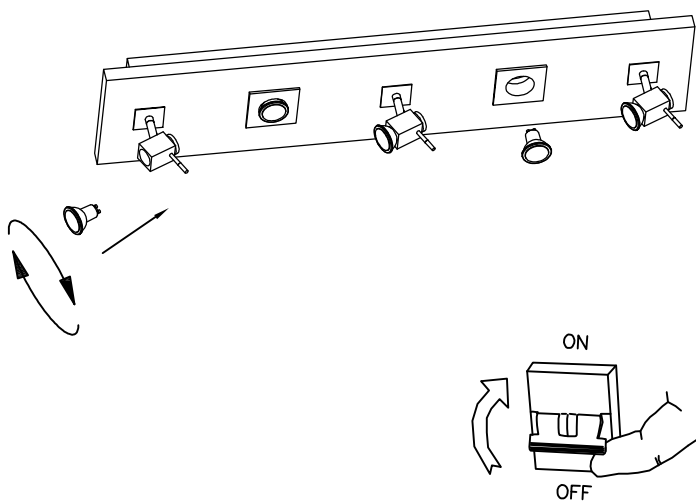
**3**



**4**



**5**



**6**

