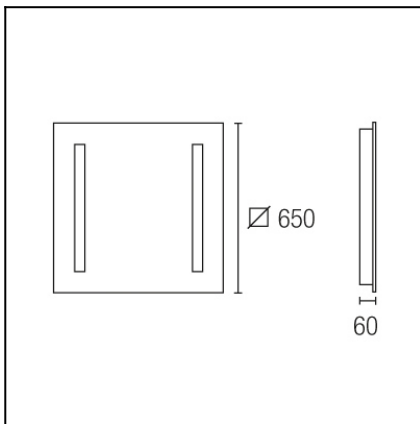


The photograph may not match the reference exactly. Please read the product description to identify the finish.



TECHNICAL CHARACTERISTICS

Type:	Mirror
IP Protection degrees:	IP23
Lampholder:	2 x 2G11
Power (W):	2G11 55W
Bulb included:	2 x 2G11 55W
Total power consumption (W):	97.8
Voltage / Frequency:	220-240V/50-60Hz
Units per box:	1
Net Weight (Kg):	10.005
EAN:	8435111036389



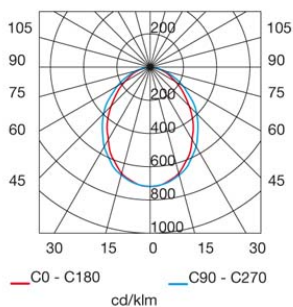
MATERIALS / FINISHES

Structure material: Steel
Mirror

Structure finish: White

GEAR

Gear included: Yes, electronic



$\eta = 16,25\%$

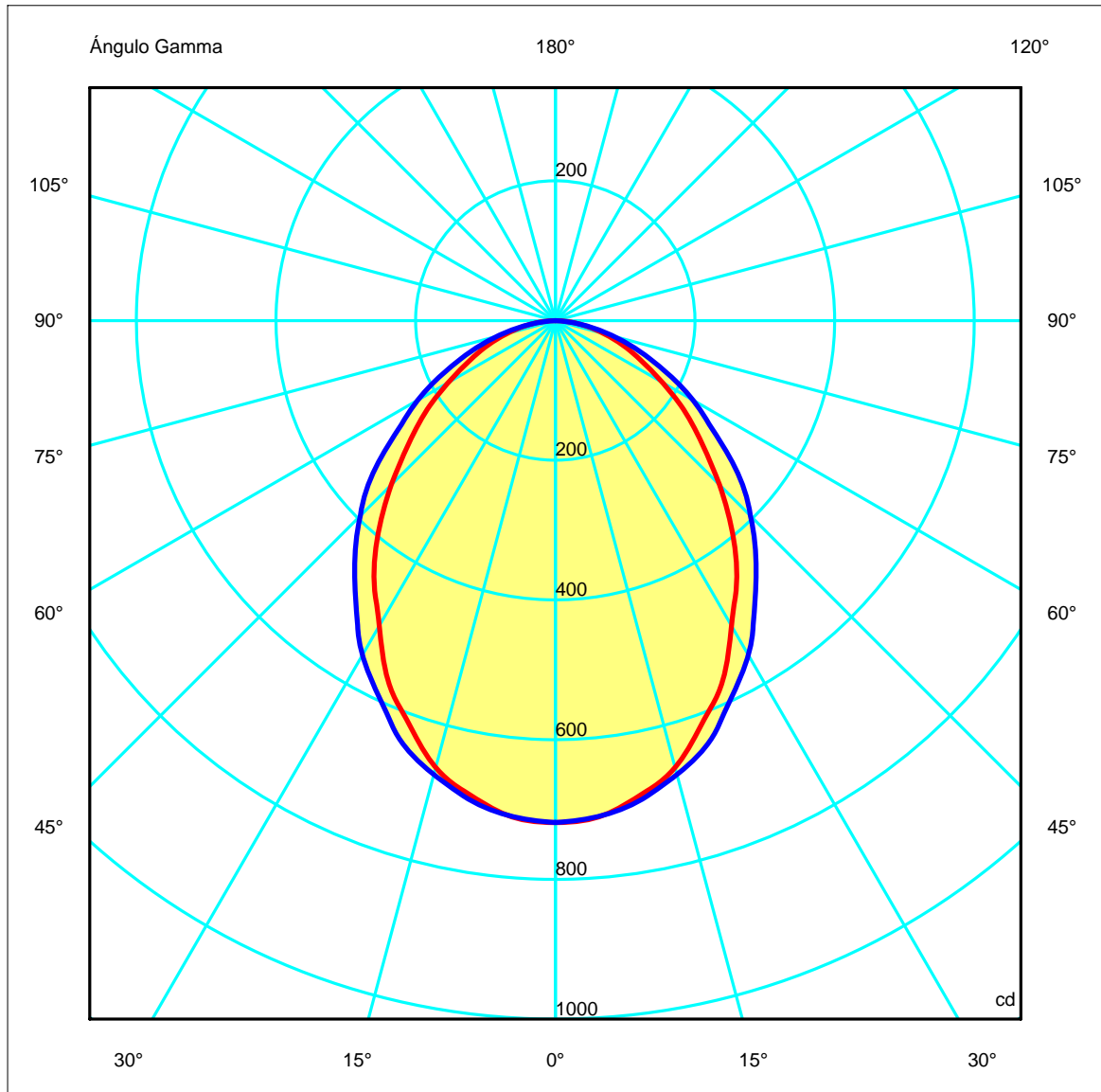
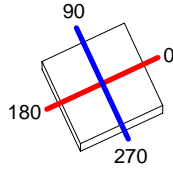
Download photometric file .ldt /.ies

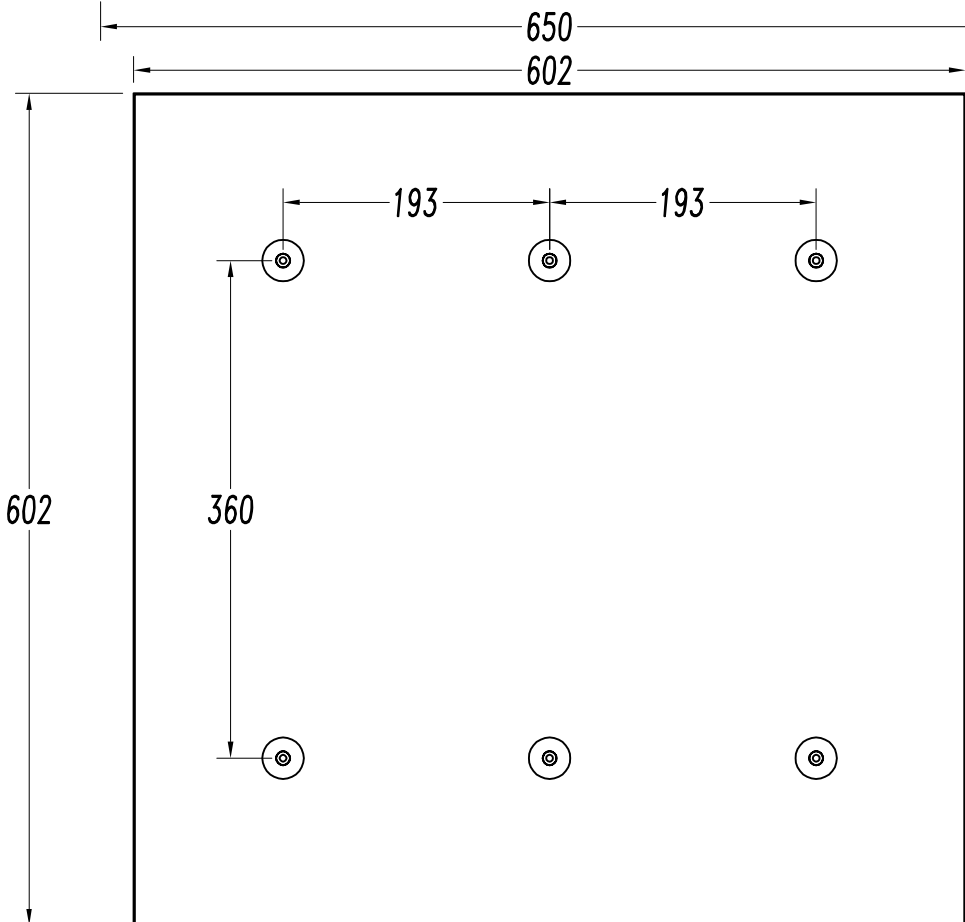
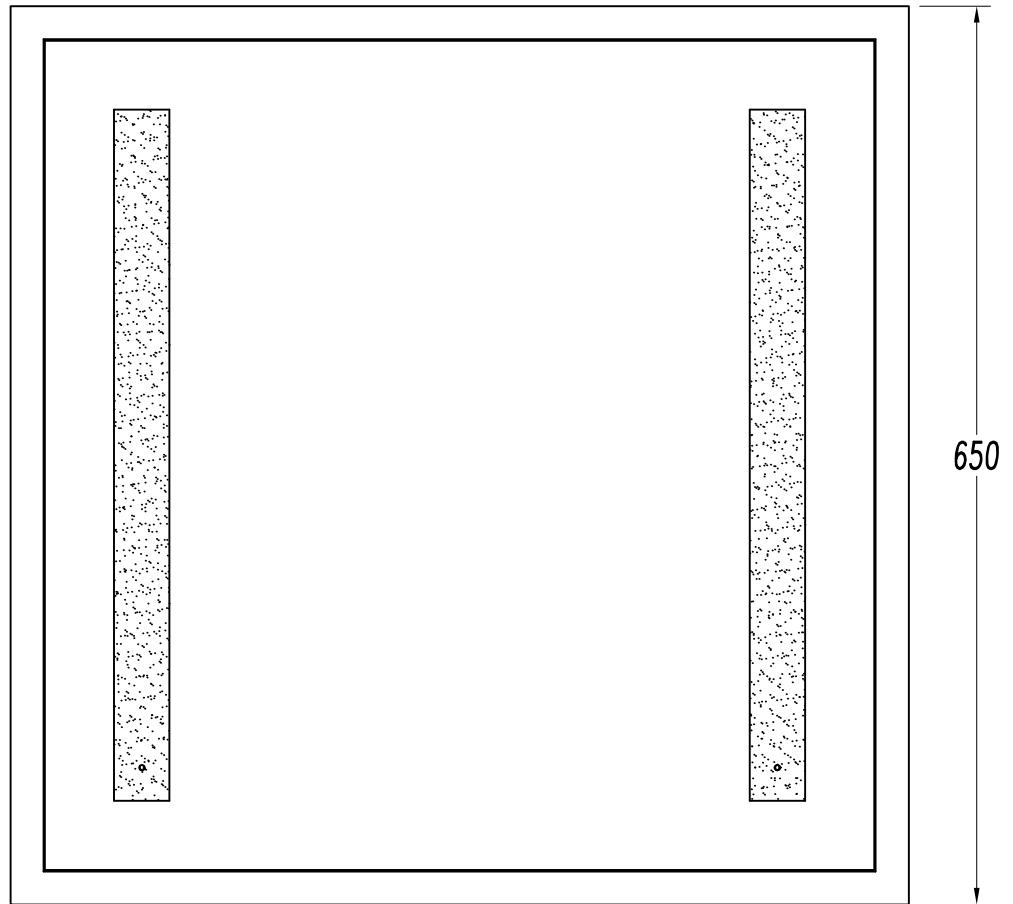
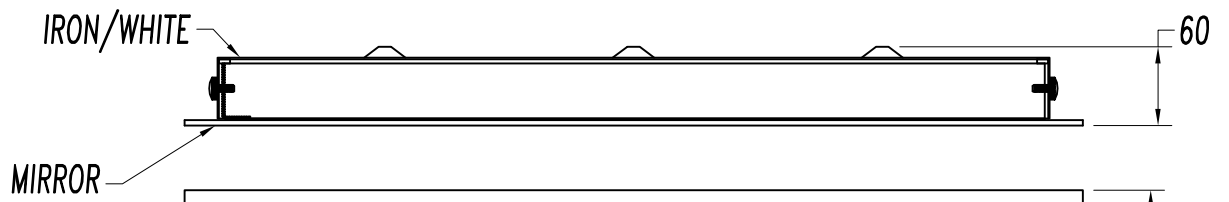
Luminaria		Ensayo		Lámpara	
Código	425-ES	Código	425-ES	Código	DULUX L 55 W/840
Nombre	Aplique REFLEX 2x55W 2G11 opal	Nombre	Aplique REFLEX 2x55W 2G11 opal	Número	2
Familia	- LEDS-C4	Fecha	25-03-2010	Posición	Universal
Eficiencia	16.25%	Sist. de Coorden.	C-G	Flujo Total	9600.00 lm
Valor Máximo	718.50 cd	Posición	C=0.00 G=0.00		Bisimétrico

650mm x 650mm

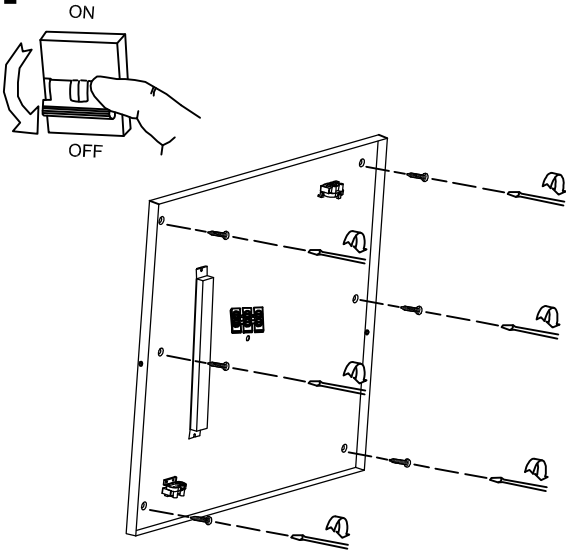
Semiplanos C

180.0 ——— 0.0
 270.0 ——— 90.0

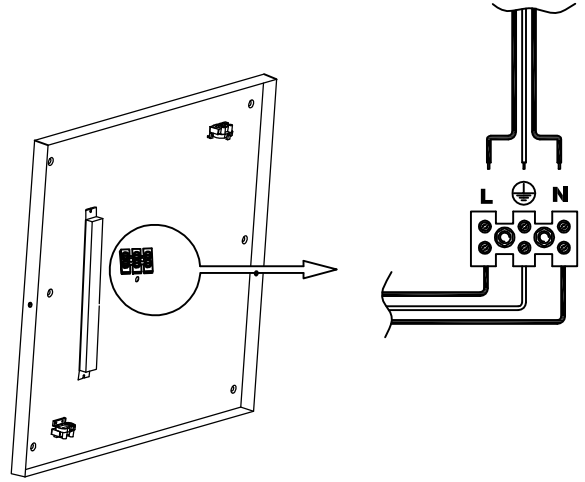




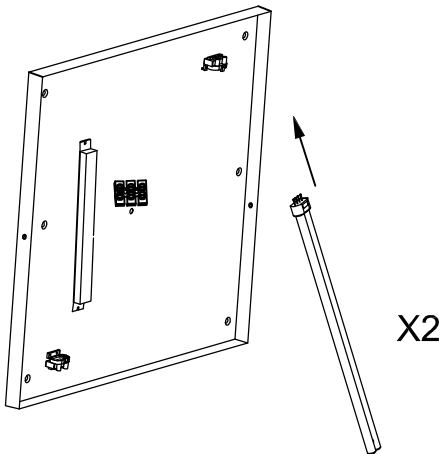
1



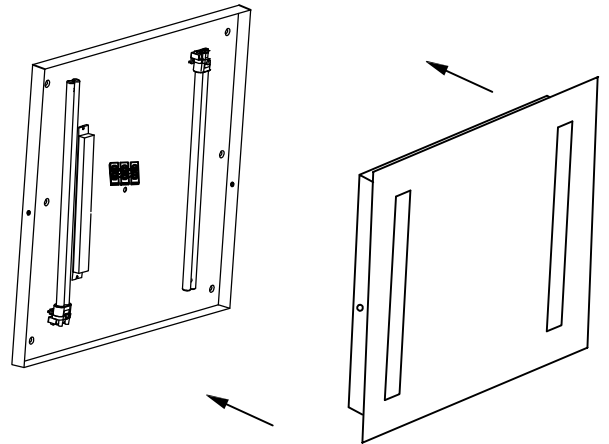
2



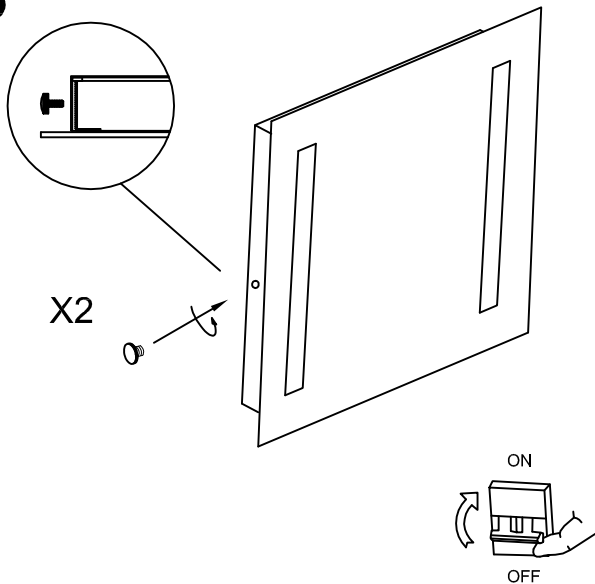
3



4



5



6

