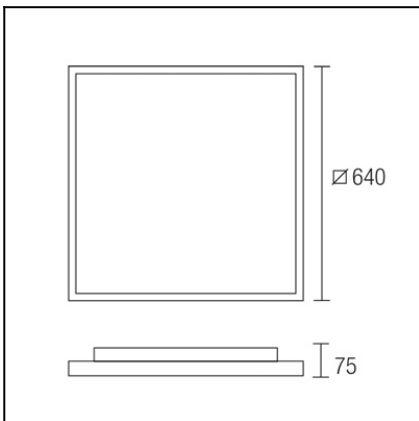




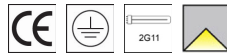
The photograph may not match the reference exactly. Please read the product description to identify the finish.



[Download photometric file .ldt / .ies](#)

TECHNICAL CHARACTERISTICS

Type:	Ceiling fixture
IP Protection degrees:	IP23
Lampholder:	4 x 2G11
Power (W):	2G11 40W
Voltage / Frequency:	220-240V/50-60Hz
Units per box:	1
Net Weight (Kg):	9.52
EAN:	8435111041321



MATERIALS / FINISHES

Structure material:	Satin aluminium	Diffuser material:	Polycarbonate
		Diffuser finish:	Matt opal

GEAR

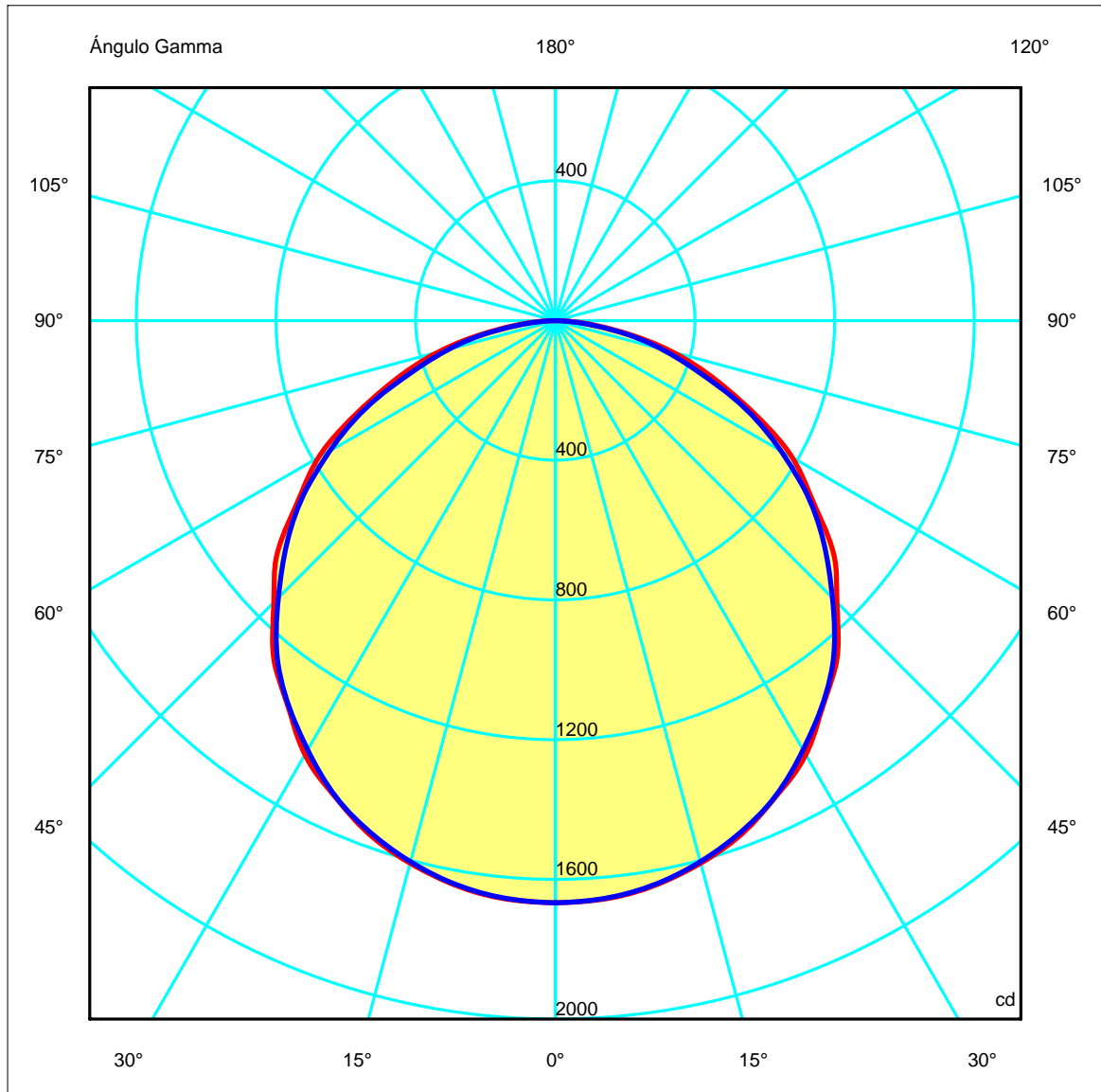
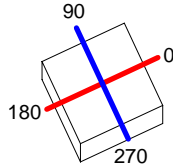
Gear included: Yes, electronic

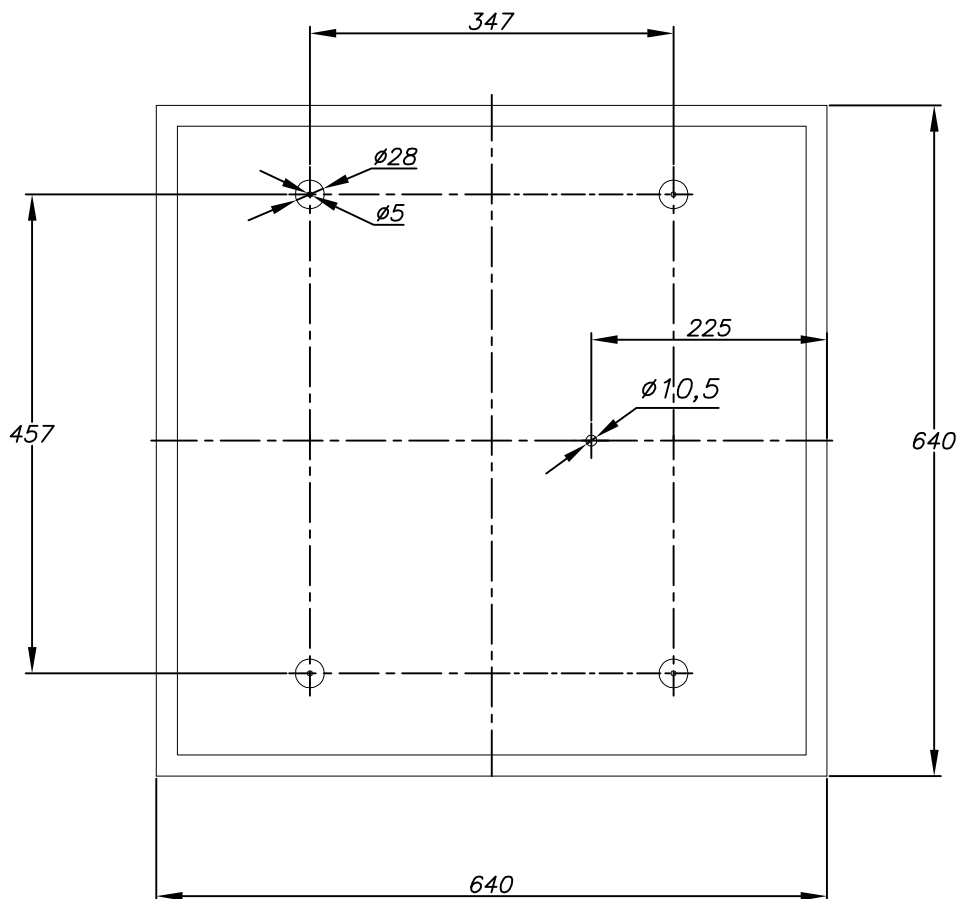
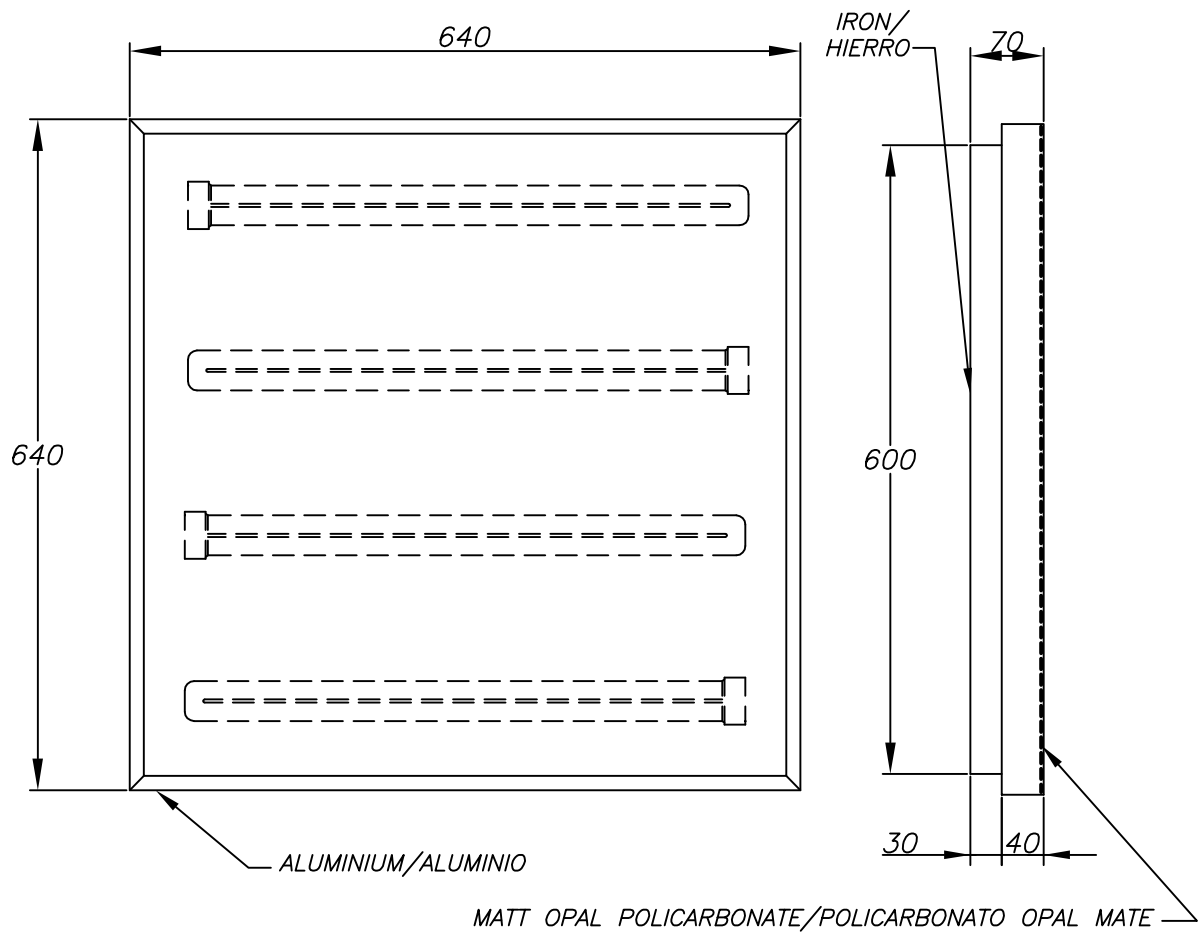
Luminaria		Ensayo		Lámpara	
Código	436-AL	Código	436-AL	Código	DULUX L 40 W/840
Nombre	Plafón TOLEDO 4x40W 2G11 opal	Nombre	Plafón TOLEDO 4x40W 2G11 opal	Número	4
Familia	- LEDS-C4	Fecha	17-05-2010	Posición	Universal
Eficiencia	34.37%	Sist. de Coorden.	C-G	Flujo Total	14000.00 lm
Valor Máximo	1666.68 cd	Posición	C=0.00 G=0.00		Bisimétrico

640mm x 640mm

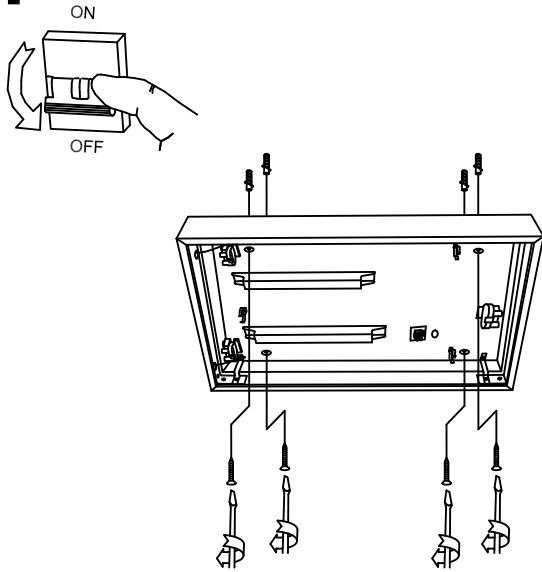
Semiplanos C

180.0 ——— 0.0
 270.0 ——— 90.0

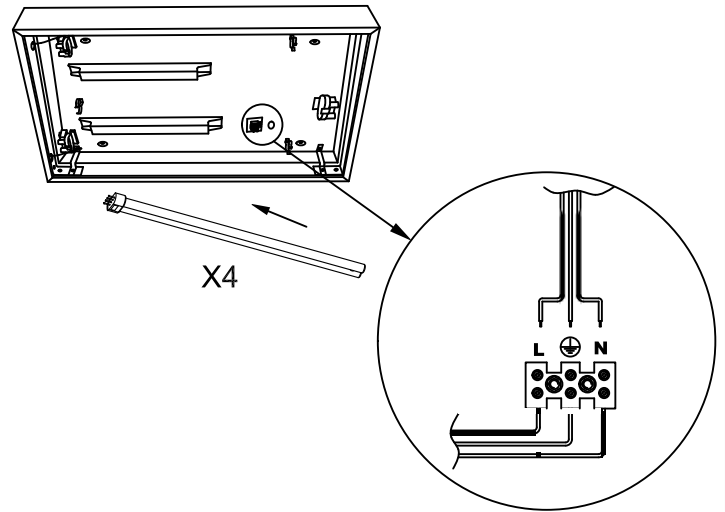




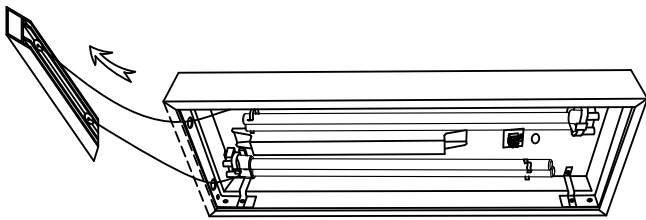
1



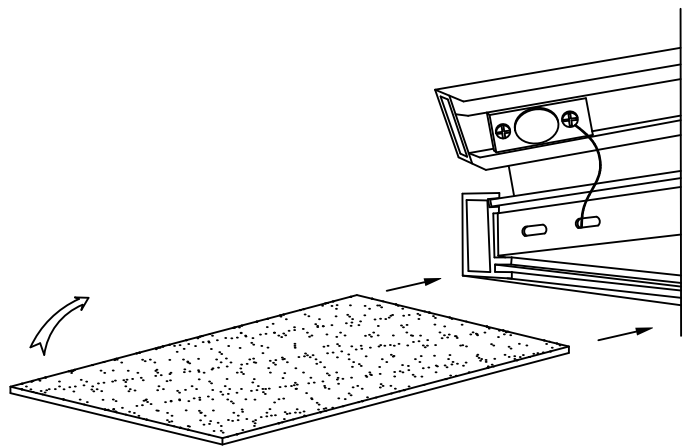
2



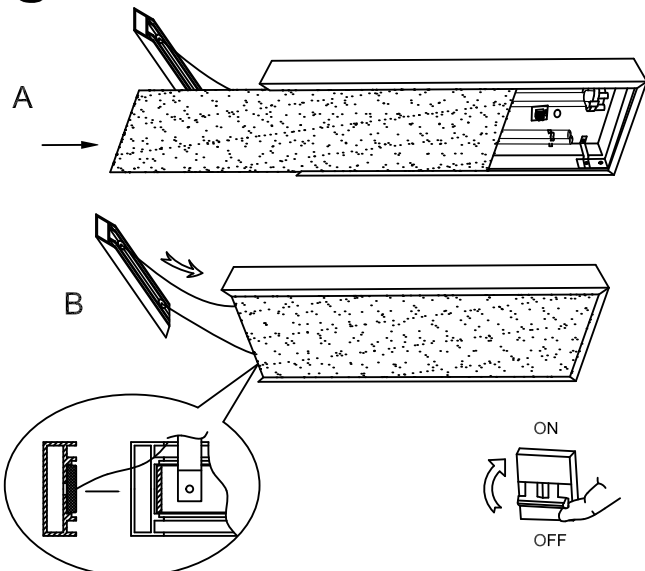
3



4



5



6

