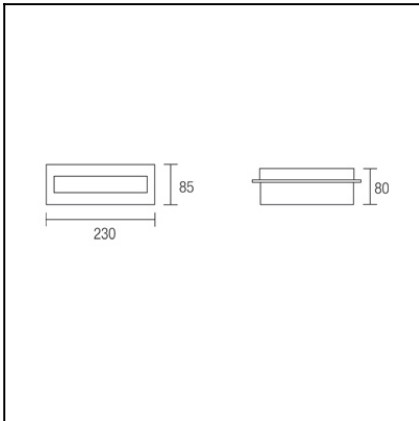


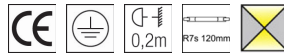


The photograph may not match the reference exactly. Please read the product description to identify the finish.



TECHNICAL CHARACTERISTICS

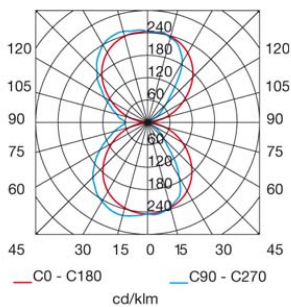
Type:	Wall fixture
IP Protection degrees:	IP20
Lampholder:	1 x R7s
Power (W):	R7s MAX 150W
Bulb included:	1 x R7s MAX 120W
Total power consumption (W):	150
Voltage / Frequency:	220-240V/50-60Hz
Warranty (Years):	2
Units per box:	6
Net Weight (Kg):	0.8
EAN:	8435111045855,00



MATERIALS / FINISHES

Structure material: Satin aluminium
Structure finish: Polished

Diffuser material: Glass
Diffuser finish: Satin



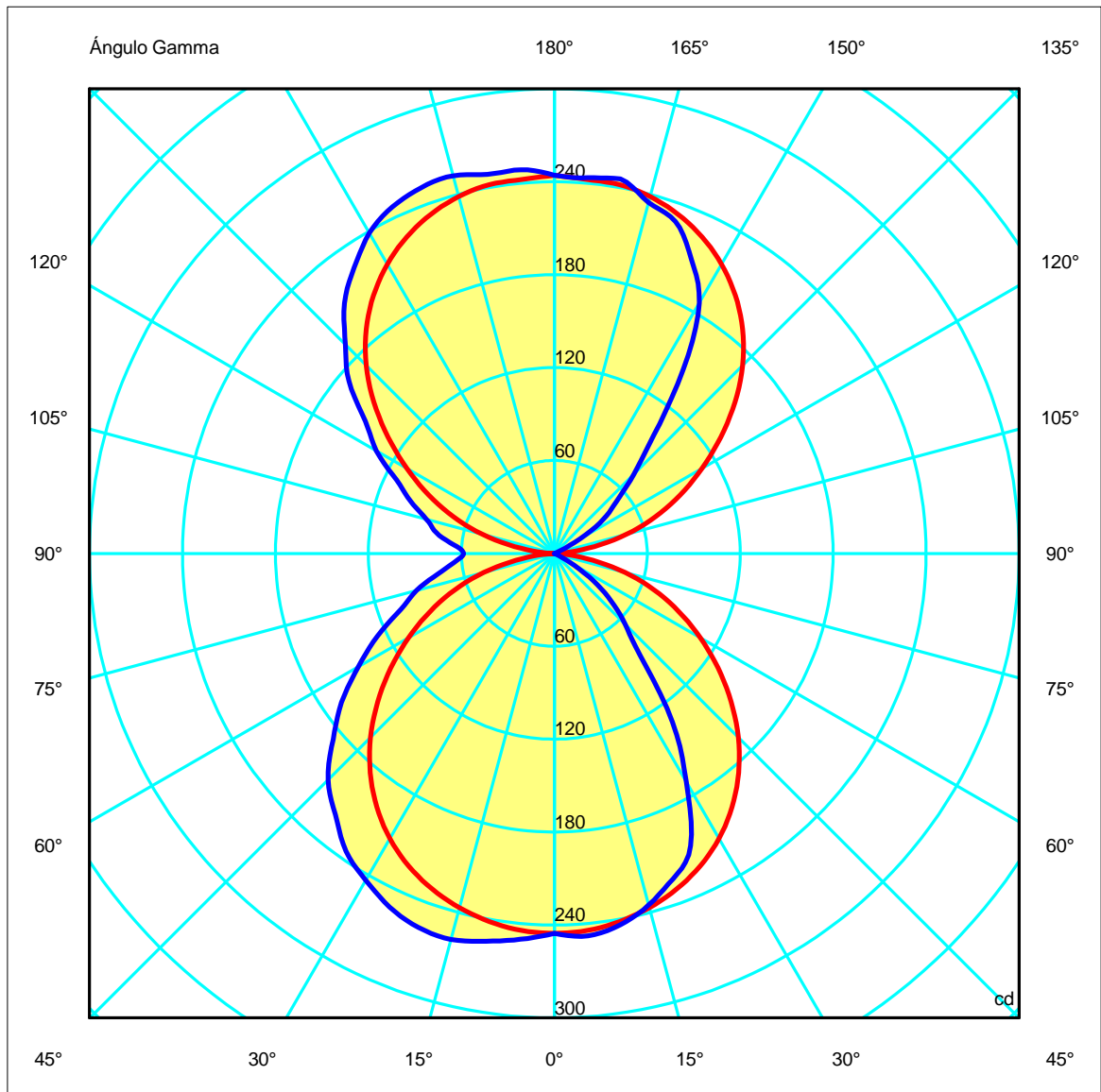
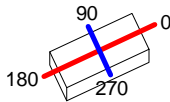
$\eta = 59,99\%$

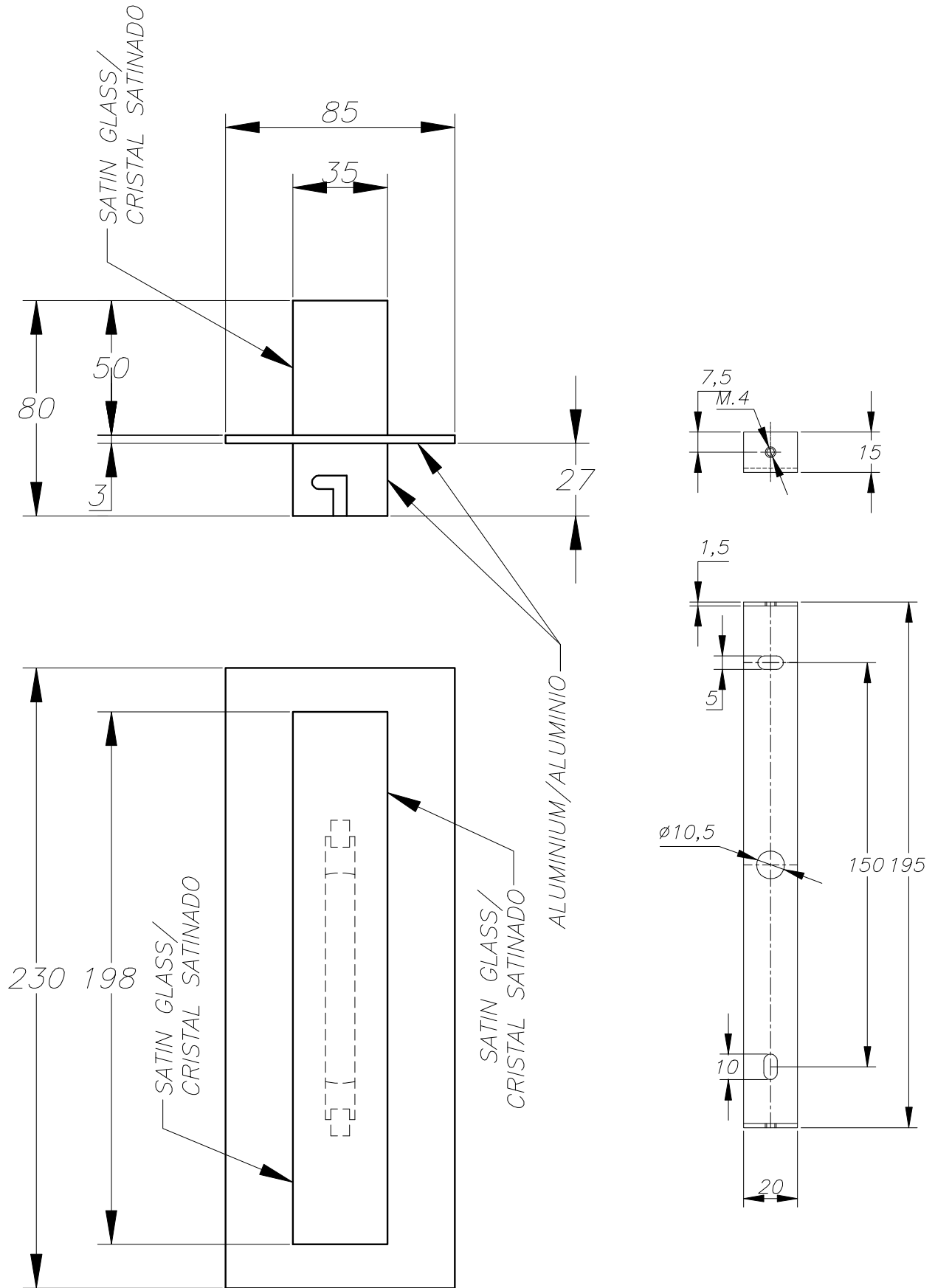
Download photometric file .ldt / .ies

Luminaria		Ensayo		Lámpara	
Código	443-AL	Código	443-AL	Código	150T3 Q/CL/P 230V SM
Nombre	Aplique dir/ind 150W halog R7s	Nombre	Aplique dir/ind 150W halog R7s	Número	1
Familia	-	Fecha	04-03-2010	Posición	
Eficiencia	59.99%	Sist. de Coordin.	C-G	Flujo Total	2250.00 lm
Valor Máximo	257.99 cd	Posición	C=270.00 G=15.00	Asimétrico	

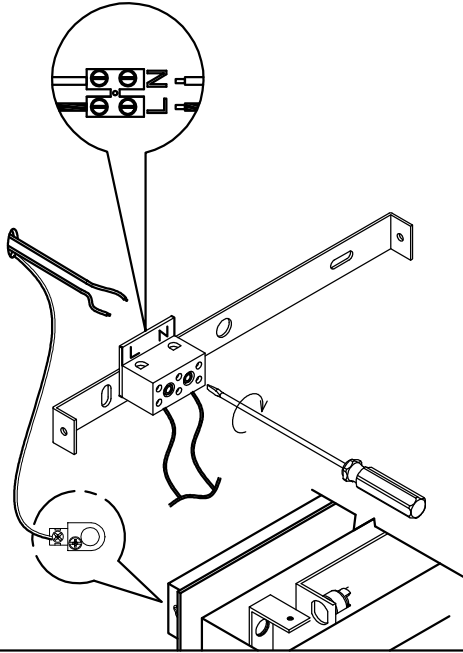
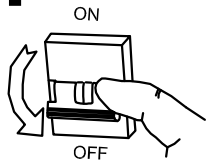
85mm x 195mm

Semiplanos C

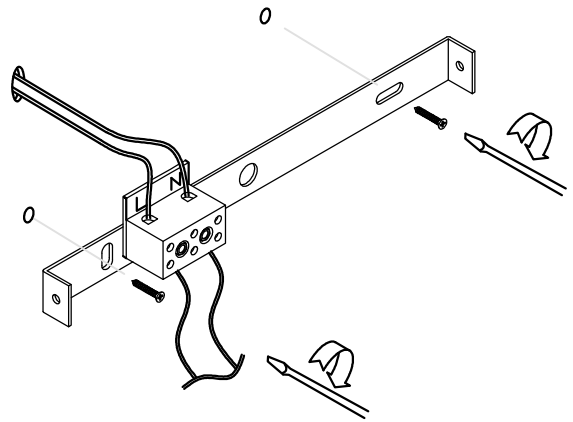
 180.0 ——— 0.0
 270.0 ——— 90.0




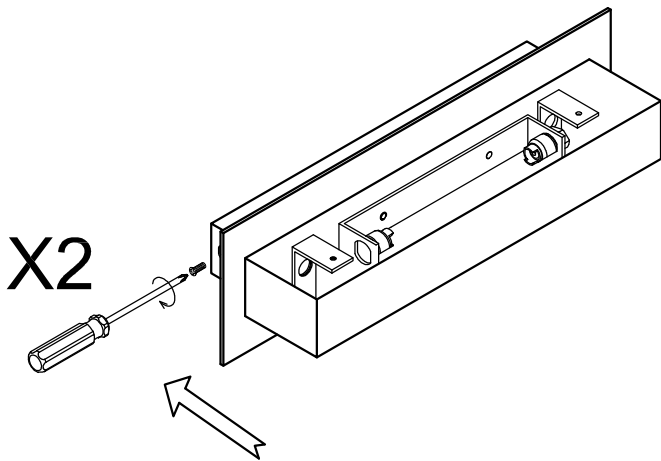
1



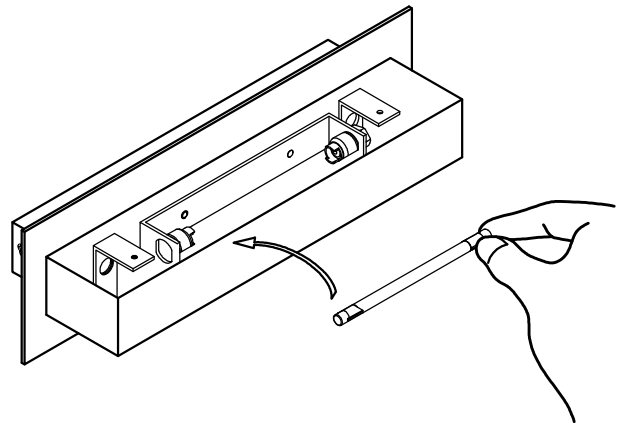
2



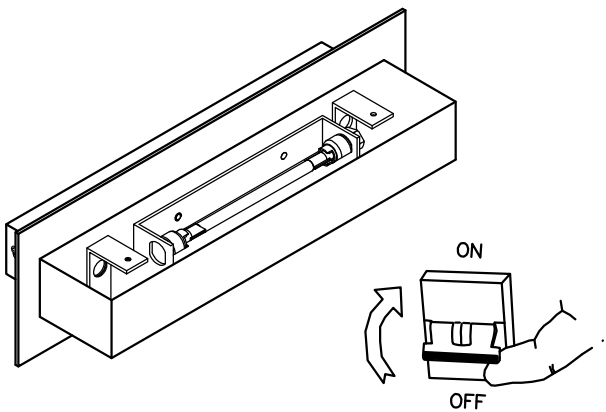
3



4



5



6

