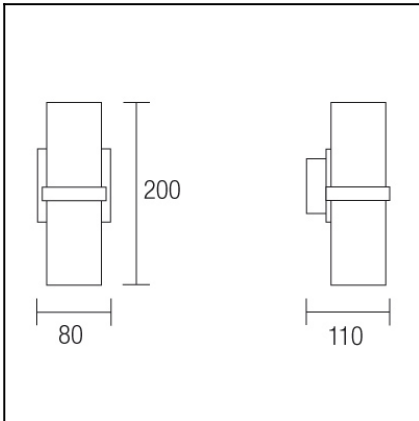




The photograph may not match the reference exactly. Please read the product description to identify the finish.

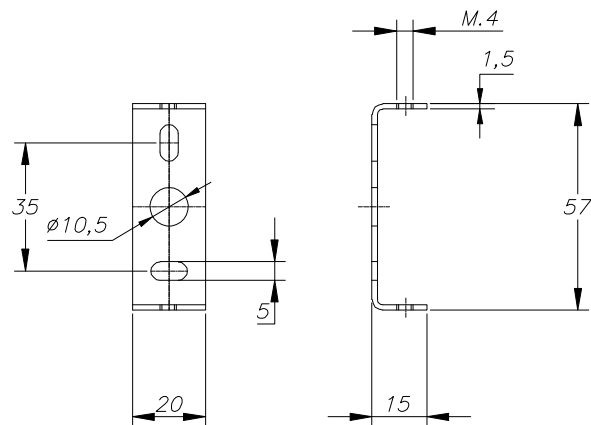
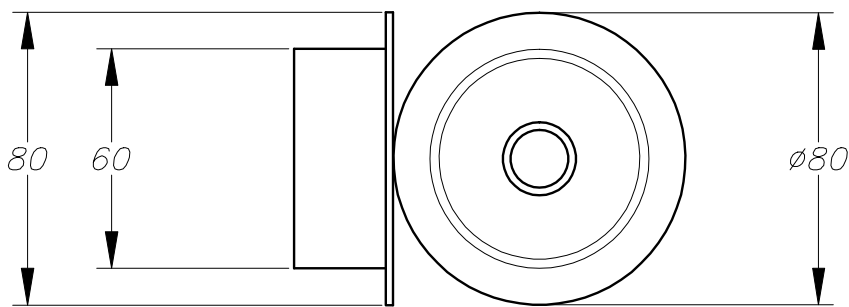
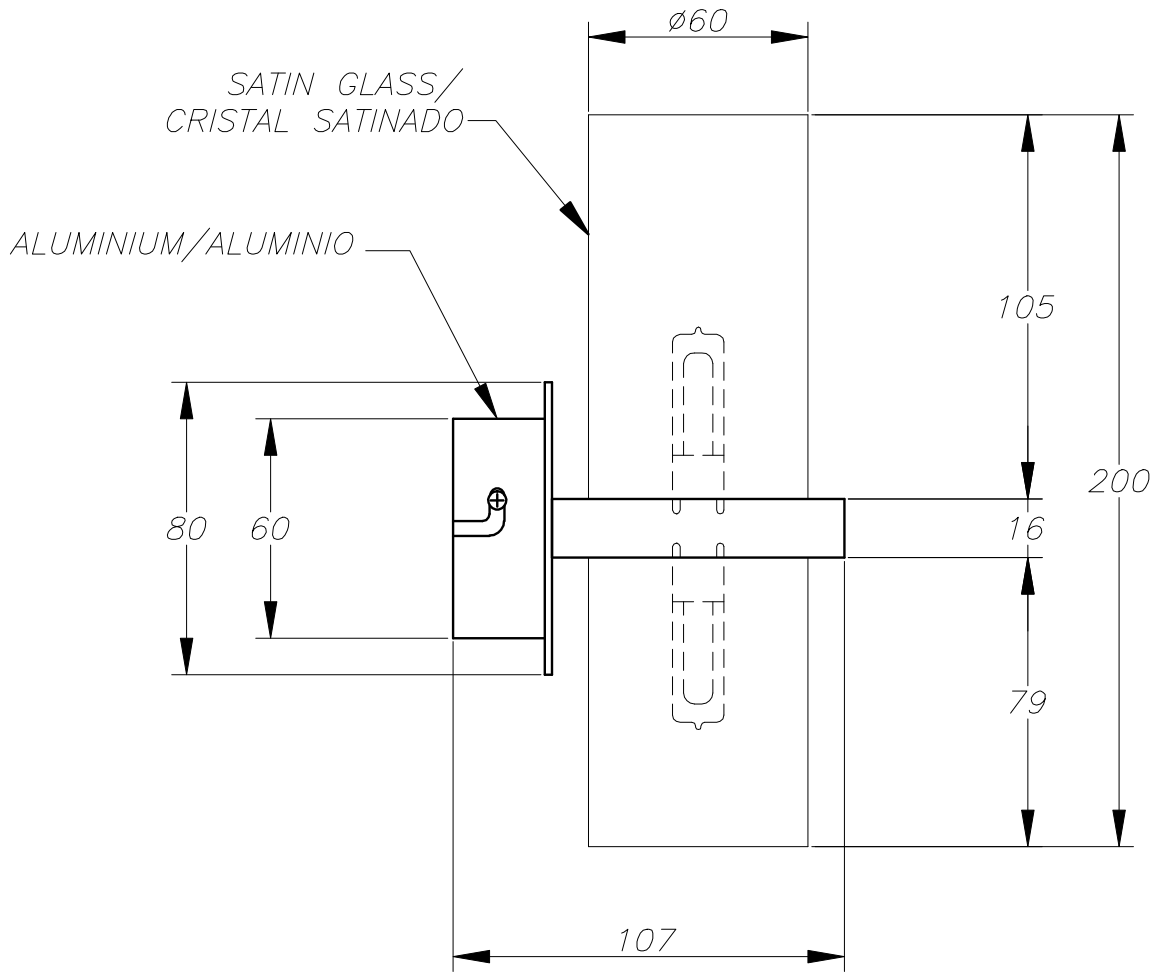

TECHNICAL CHARACTERISTICS

Type:	Wall fixture
IP Protection degrees:	IP20
Lampholder:	2 x G9
Power (W):	G9 MAX 60W
Bulb included:	2 x G9 MAX 60W
Total power consumption (W):	120
Voltage / Frequency:	220-240V/50-60Hz
Units per box:	4
Net Weight (Kg):	0.49
EAN:	8435111045961

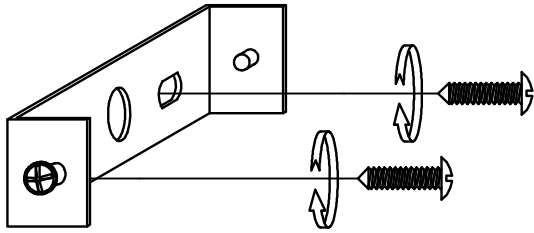
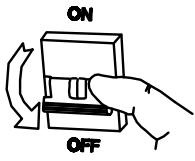

MATERIALS / FINISHES

Structure material:	Aluminium	Diffuser material:	Glass
		Diffuser finish:	Satin

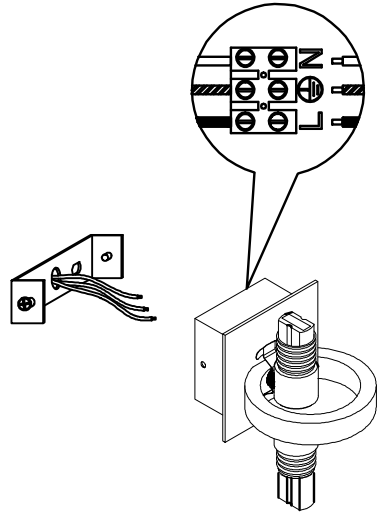
Download photometric file .ldt /.ies



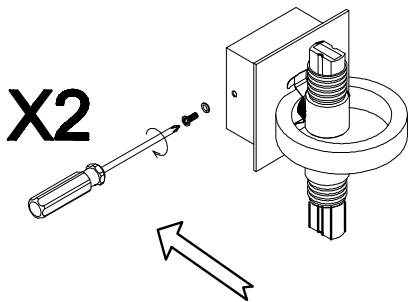
1



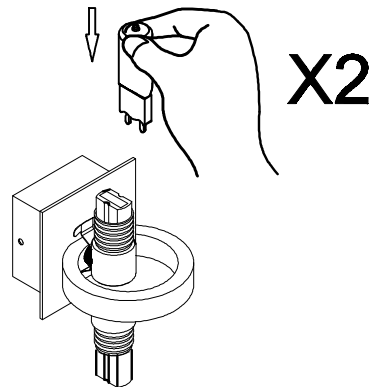
2



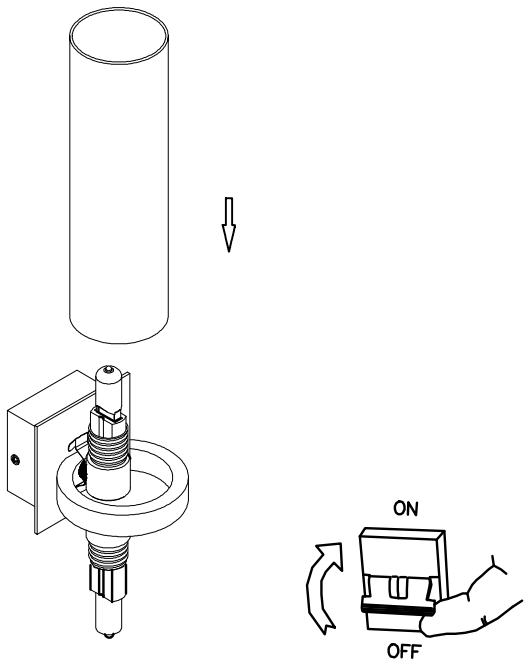
3



4



5



6

