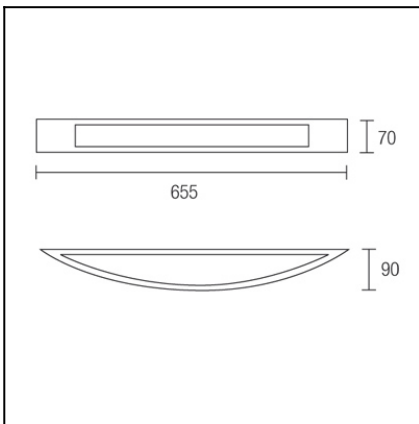




The photograph may not match the reference exactly. Please read the product description to identify the finish.



## TECHNICAL CHARACTERISTICS

Type:	Wall fixture
IP Protection degrees:	IP44
Lampholder:	1 x 2G11
Power (W):	2G11 24W
Bulb included:	1 x 2G11 24W
Voltage / Frequency:	220-240V/50-60Hz
Units per box:	6
Net Weight (Kg):	1.67
EAN:	8435111046180



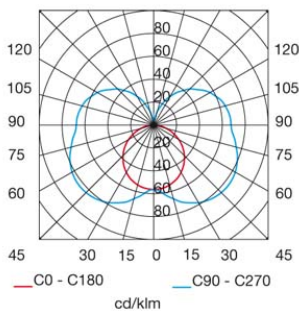
## MATERIALS / FINISHES

**Structure material:** Steel  
**Structure finish:** Chrome

**Diffuser material:** Polycarbonate  
**Diffuser finish:** Opal

## GEAR

Gear included: Yes, electronic

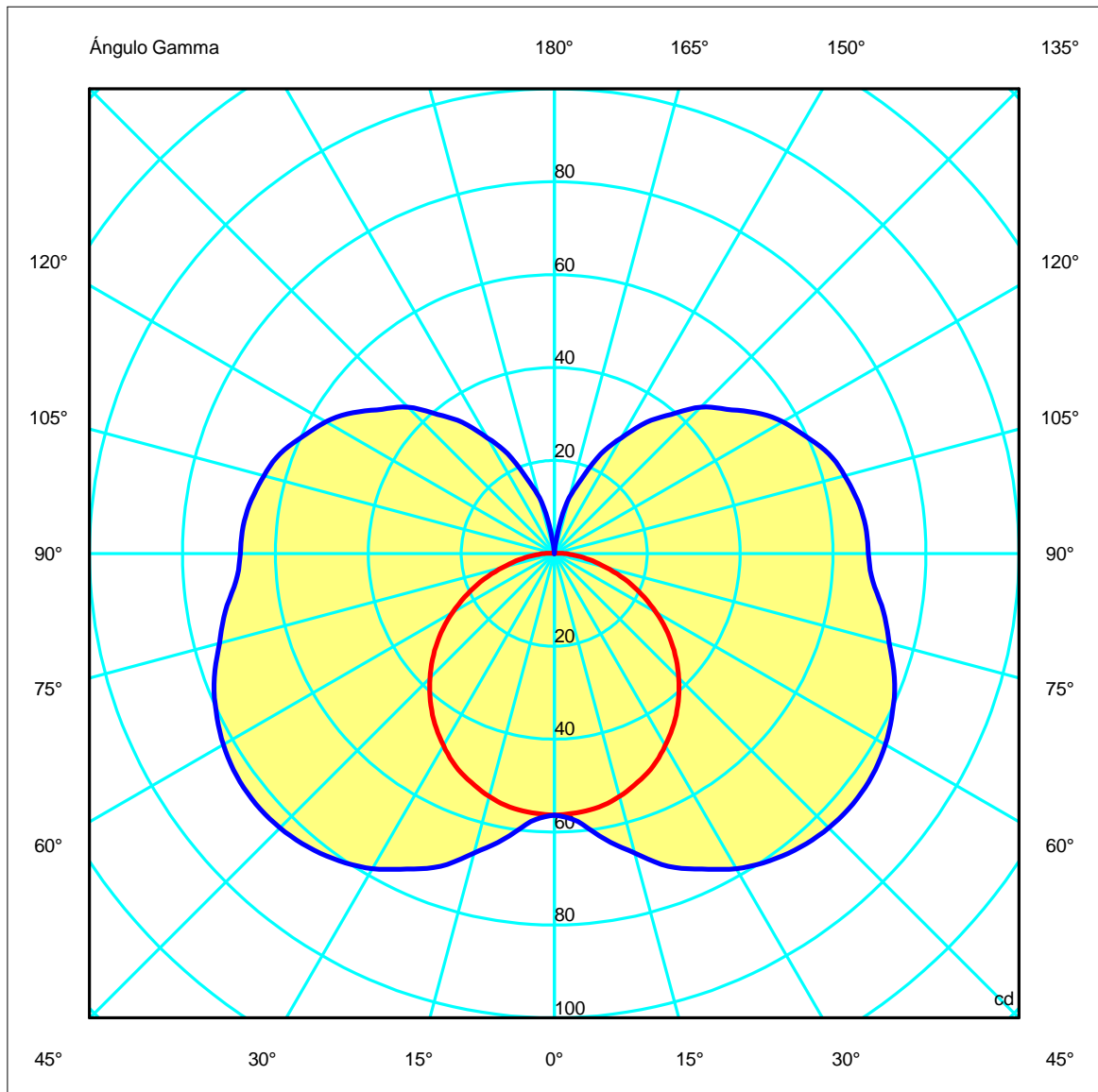
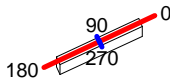


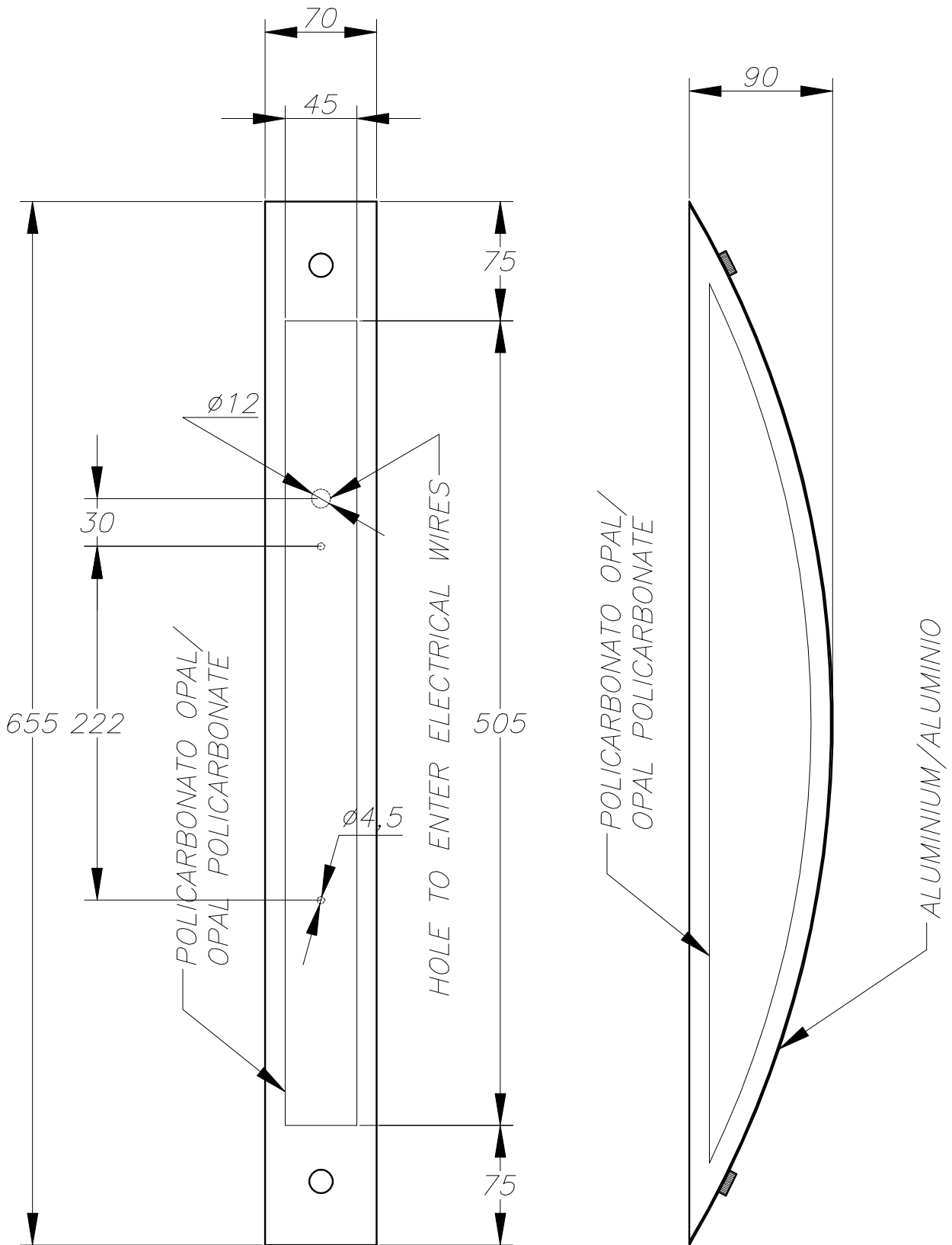
Download photometric file .ldt / .ies

Luminaria		Ensayo		Lámpara	
Código	457-CR	Código	457-CR	Código	PL-L24W/840/4P
Nombre	Aplique TOILET 24W 2G11 opal	Nombre	Aplique TOILET 24W 2G11 opal	Número	1
Familia	- LEDS-C4	Fecha	17-03-2010	Posición	
Eficiencia	30.16%	Sist. de Coorden.	C-G	Flujo Total	1800.00 lm
Valor Máximo	83.86 cd	Posición	C=90.00 G=50.00	Bisimétrico	

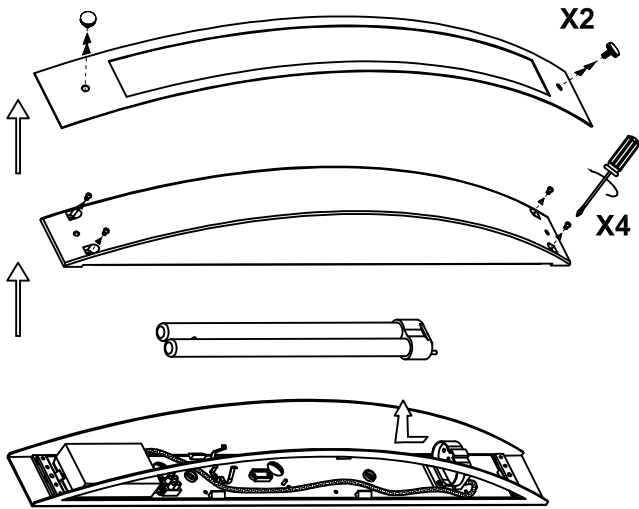
60mm x 640mm

Semiplanos C

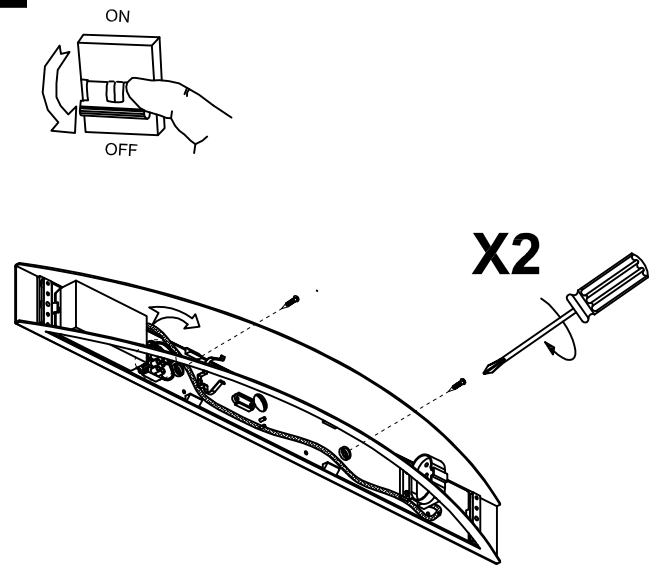
 180.0 ——— 0.0  
 270.0 ——— 90.0




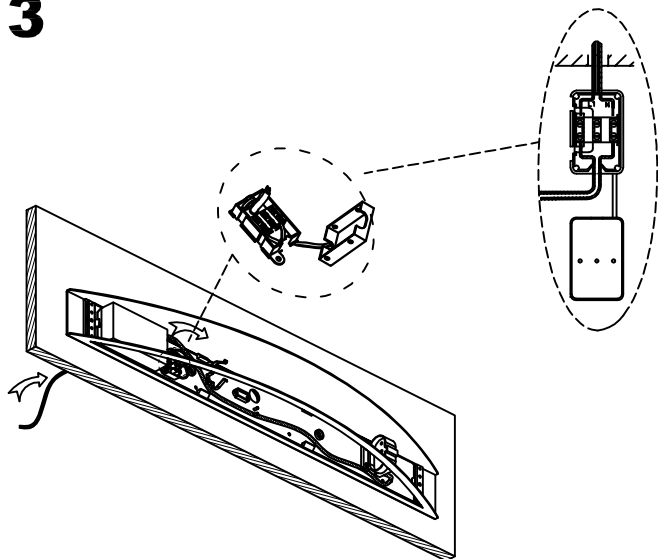
**1**



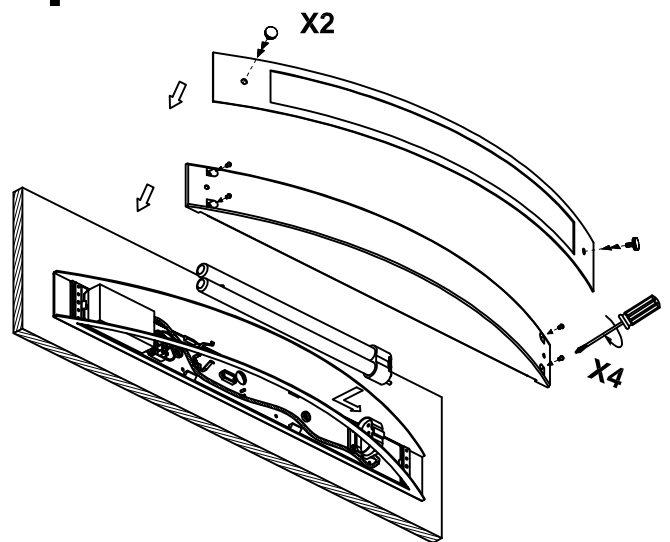
**2**



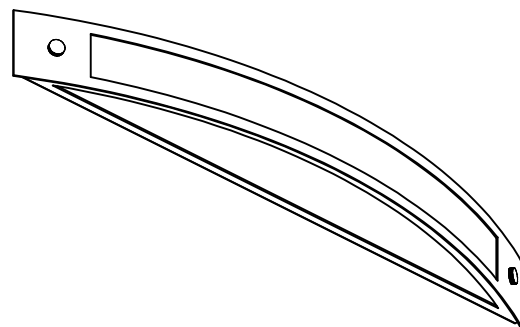
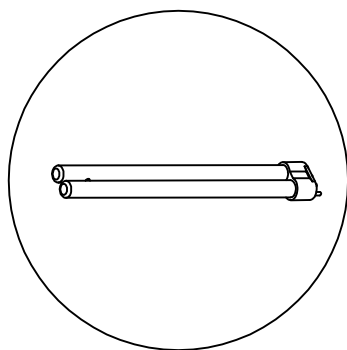
**3**



**4**



**5**





ERROR: syntaxerror  
OFFENDING COMMAND: --nostringval--

STACK:

/Title  
( )  
/Subject  
(D:20100205081806+01'00')  
/ModDate  
( )  
/Keywords  
(PDFCreator Version 0.9.5)  
/Creator  
(D:20100205081806+01'00')  
/CreationDate  
(mribera)  
/Author  
-mark-