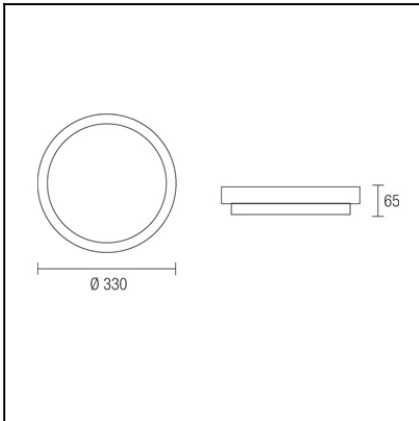




The photograph may not match the reference exactly. Please read the product description to identify the finish.



## TECHNICAL CHARACTERISTICS

|                        |  |
|------------------------|--|
| Type:                  | Ceiling fixture                              |
| IP Protection degrees: | IP44   |
| Lampholder:            | 2 x G24d3                                    |
| Power (W):             | G24d3 26W                                    |
| Bulb included:         | 2 x G24d3 26W. Neutral white (5000 - 3700 K) |
| Voltage / Frequency:   | 220-240V/50Hz                                |
| Units per box:         | 4  |
| Net Weight (Kg):       | 2.645  |
| EAN:                   | 8435111046234                                |



## MATERIALS / FINISHES

|                            |              |                           |       |
|----------------------------|--------------|---------------------------|-------|
| <b>Structure material:</b> | Steel        | <b>Diffuser material:</b> | Glass |
| <b>Structure finish:</b>   | Satin nickel | <b>Diffuser finish:</b>   | Opal  |

## GEAR

Gear included: Yes, Magnetic

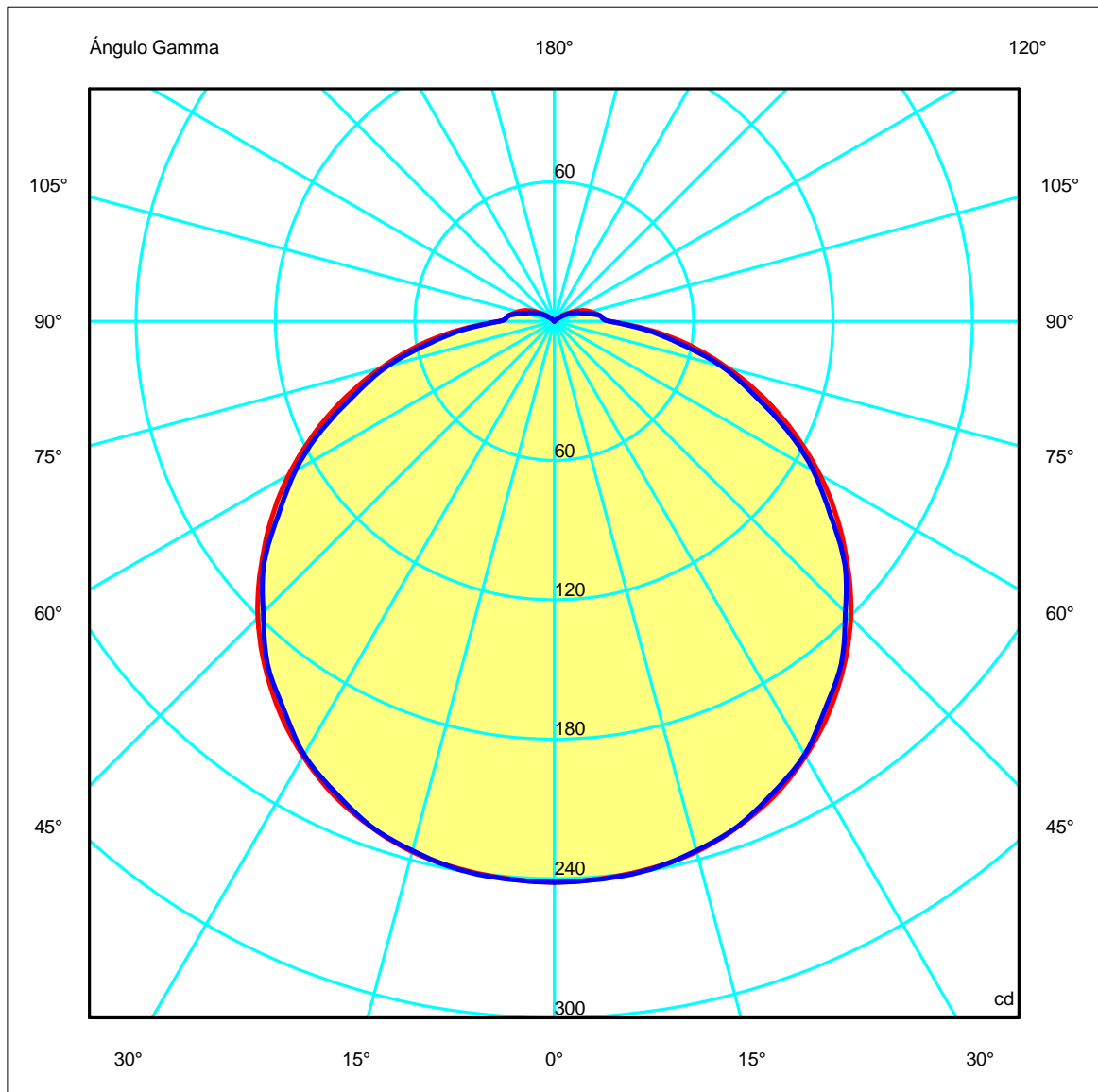
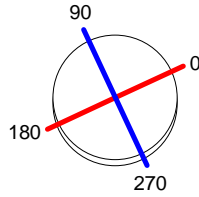
[Download photometric file .ldt / .ies](#)

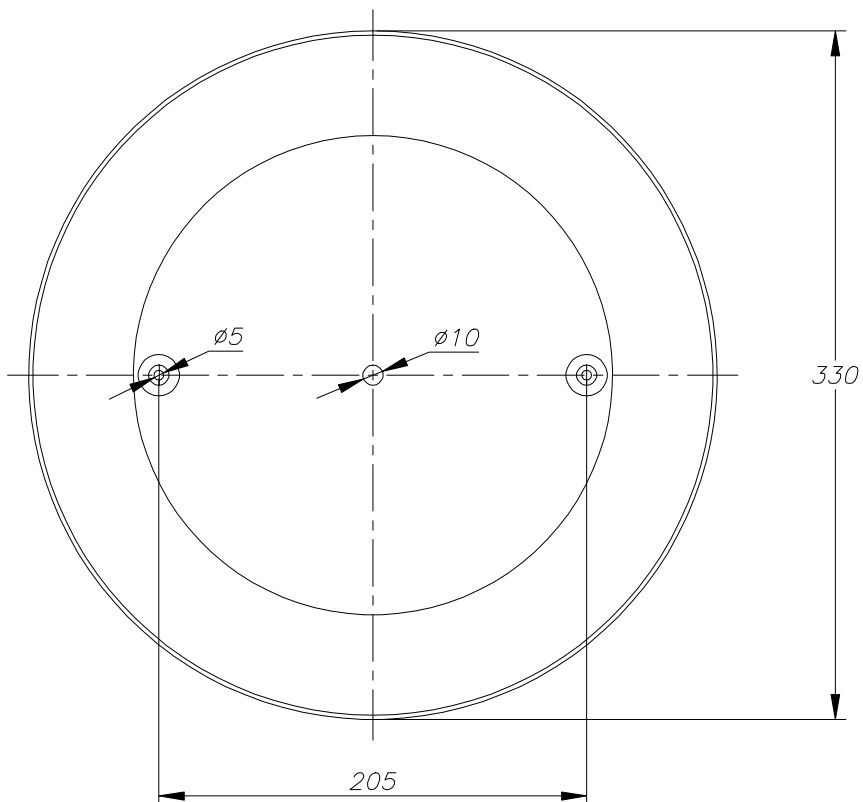
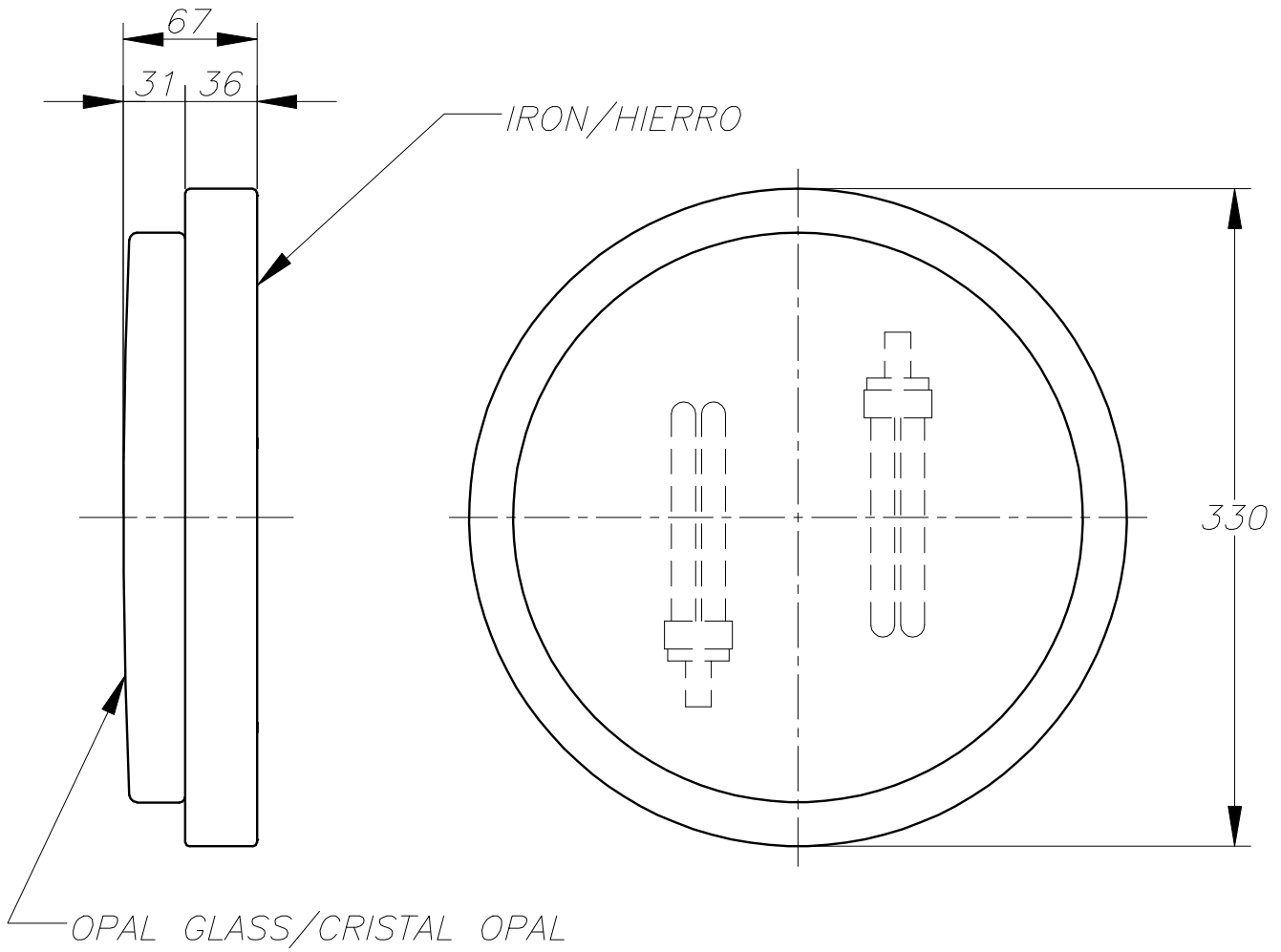
|   |           |   |                |   |            |
|---|-----------|---|----------------|---|------------|
| <b>Luminaria</b><br>Código 458-NS<br>Nombre Plafón 2x26W G24d-3 opal<br>Familia - LEDS-C4 |           | <b>Ensayo</b><br>Código 458-NS<br>Nombre Plafón 2x26W G24d-3 opal<br>Fecha 09-03-2010 |                | <b>Lámpara</b><br>Código PL-C26W/830/2P<br>Número 2<br>Posición |            |
| Eficiencia  | 24.29%    | Sist. de Coordin.   | C-G            | Flujo Total   | 3600.00 lm |
| Valor Máximo  | 241.66 cd | Posición  | C=15.00 G=5.00 | Bisimétrico   |            |

Diam=275mm

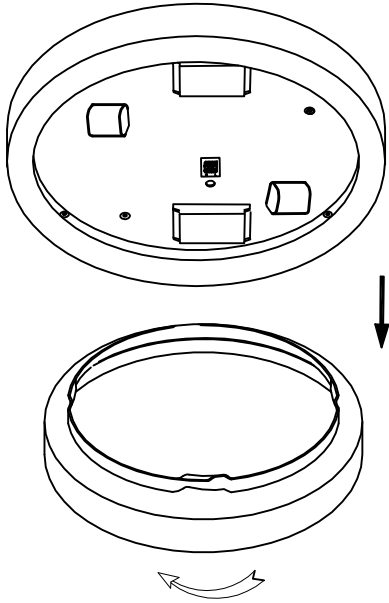
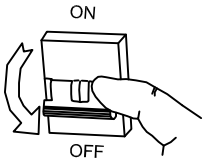
Semiplanos C

180.0 ——— 0.0  
270.0 ——— 90.0

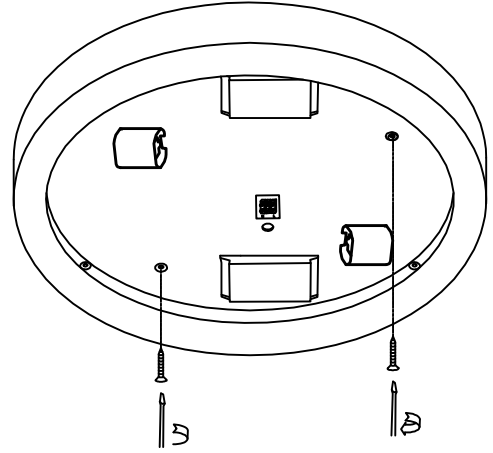




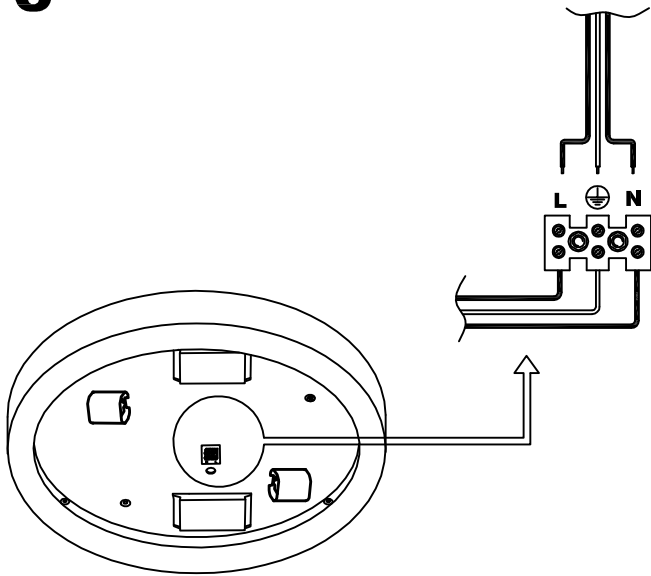
**1**



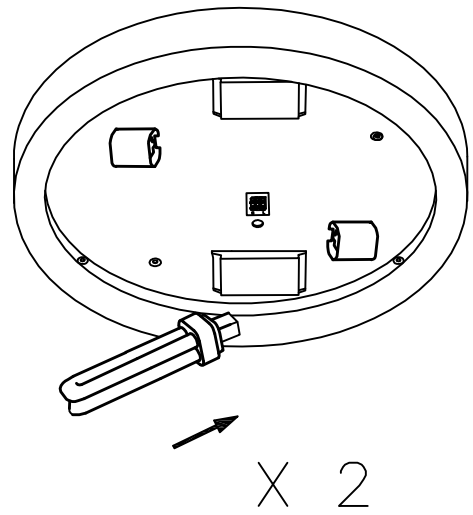
**2**



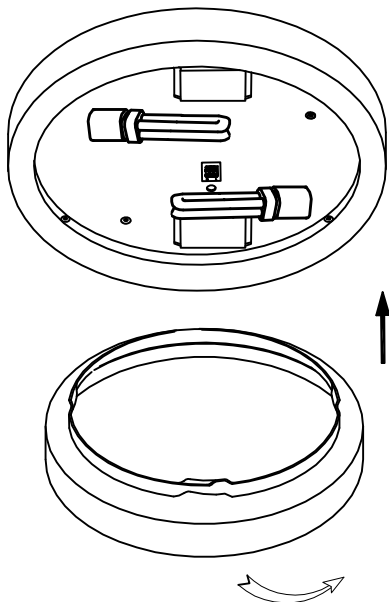
**3**



**4**



**5**



**6**

