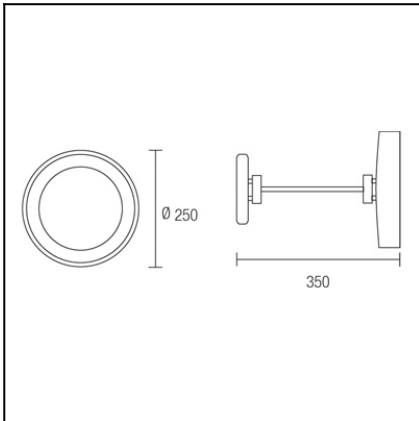




The photograph may not match the reference exactly. Please read the product description to identify the finish.



TECHNICAL CHARACTERISTICS

Type:	Uplight
Adjustable $\pm 180^\circ$ on the vertical axis	
IP Protection degrees:	IP44
Lampholder:	1 x 2GX13
Power (W):	2GX13 22W
Bulb included:	1 x 2GX13 22W
Voltage / Frequency:	220-240V/50-60Hz
Units per box:	6
Net Weight (Kg):	1.685
EAN:	8435111050286



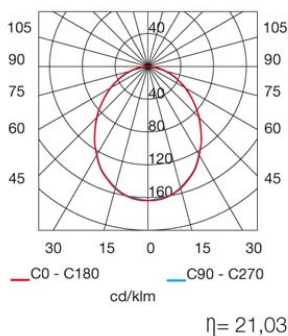
MATERIALS / FINISHES

Structure material: Steel
Mirror

Structure finish: Chrome

GEAR

Gear included: Yes, electronic



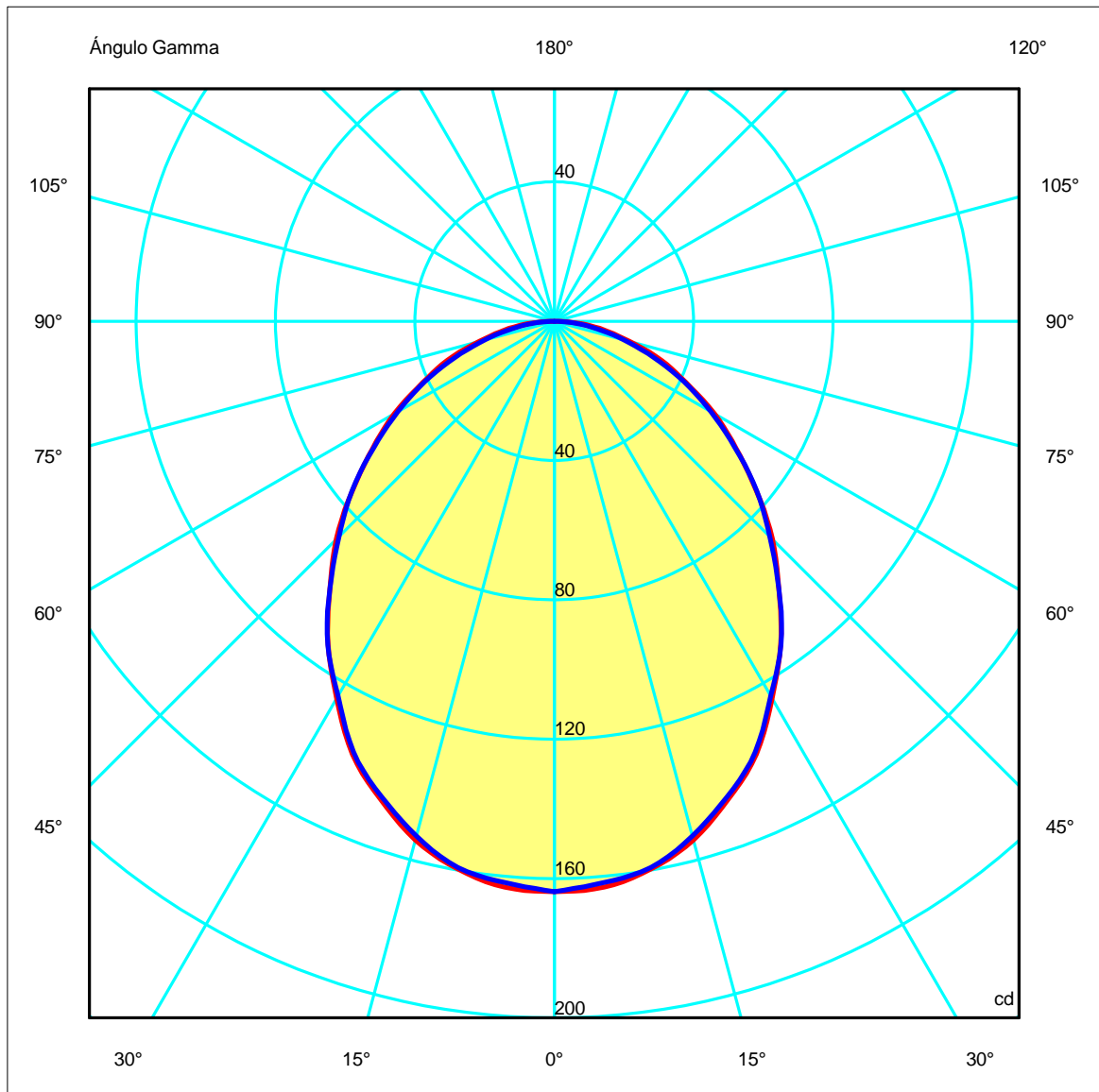
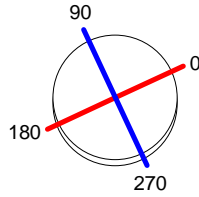
Download photometric file .ldt /.ies

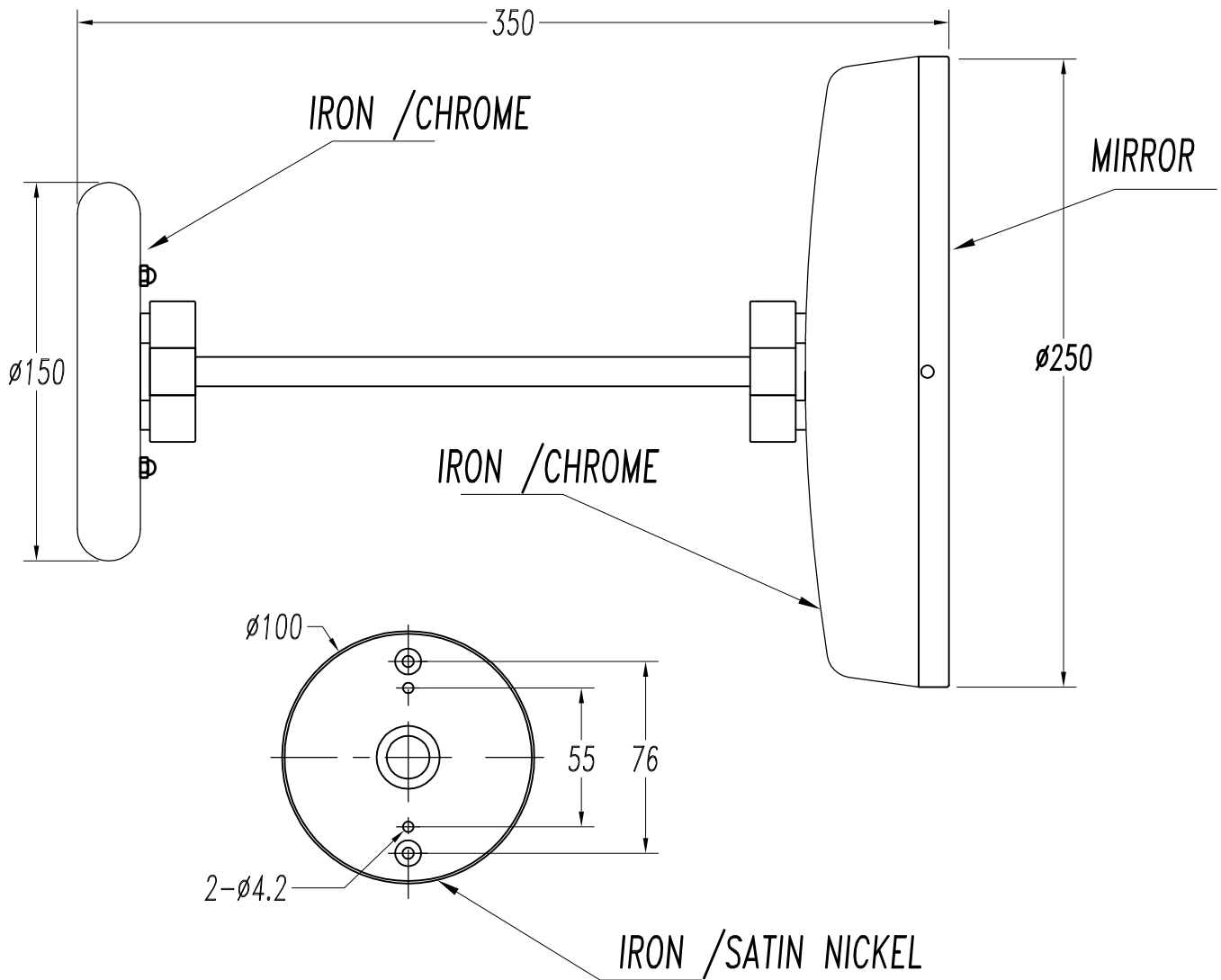
Luminaria Código 476-CR Nombre Aplique 1x22W 2GX13 opal Familia - LEDS-C4		Ensayo Código 476-CR Nombre Aplique 1x22W 2GX13 opal Fecha 10-03-2010		Lámpara Código FC 22 W/840 Número 1 Posición	
Eficiencia	21.03%	Sist. de Coordin.	C-G	Flujo Total	1800.00 lm
Valor Máximo	163.70 cd	Posición	C=0.00 G=0.00	Bisimétrico	

Diam=250mm

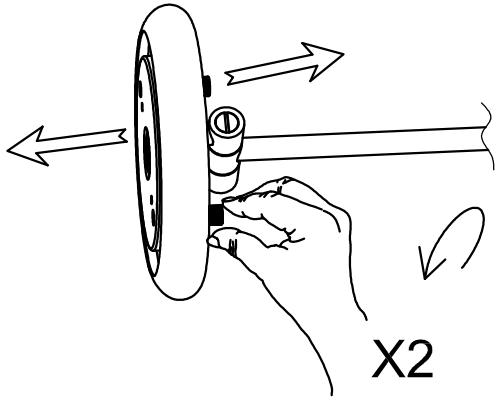
Semiplanos C

180.0 ——— 0.0
270.0 ——— 90.0

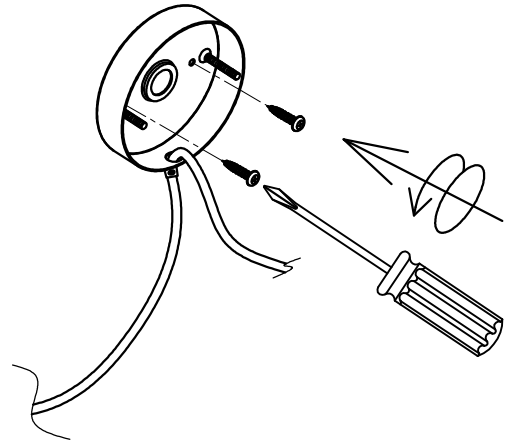




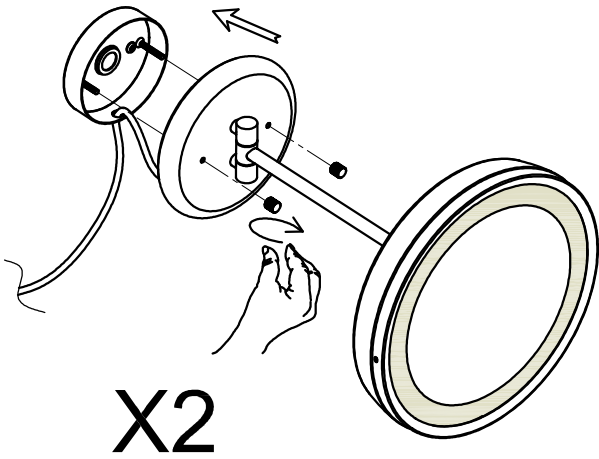
1



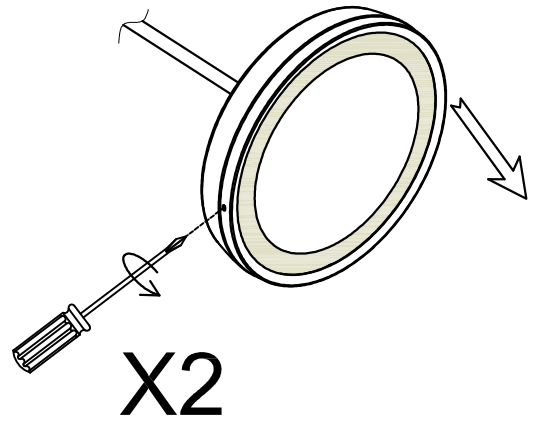
2



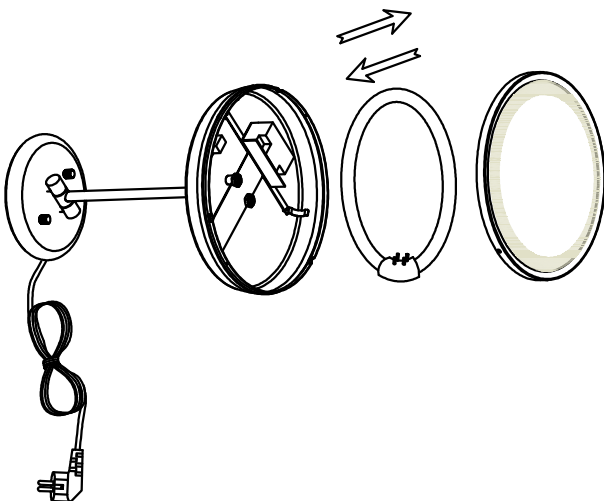
3



4



5



6

