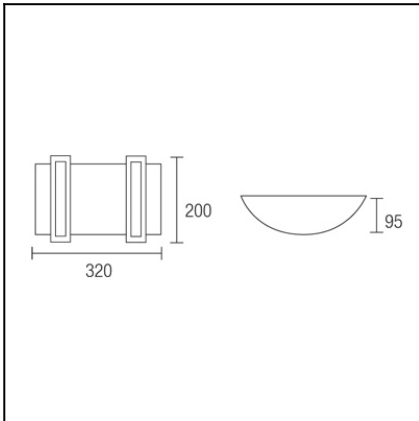




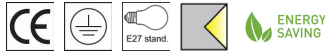
The photograph may not match the reference exactly. Please read the product description to identify the finish.



Download photometric file .ldt / .ies

TECHNICAL CHARACTERISTICS

Type:	Wall fixture
Lampholder:	2 x E27
Power (W):	E27 MAX 60W
Total power consumption (W):	120
Voltage / Frequency:	220-240V/50-60Hz
Units per box:	6
Net Weight (Kg):	1.37
EAN:	8435111050309



MATERIALS / FINISHES

Structure material: Steel
Structure finish: Chrome
 Old brown

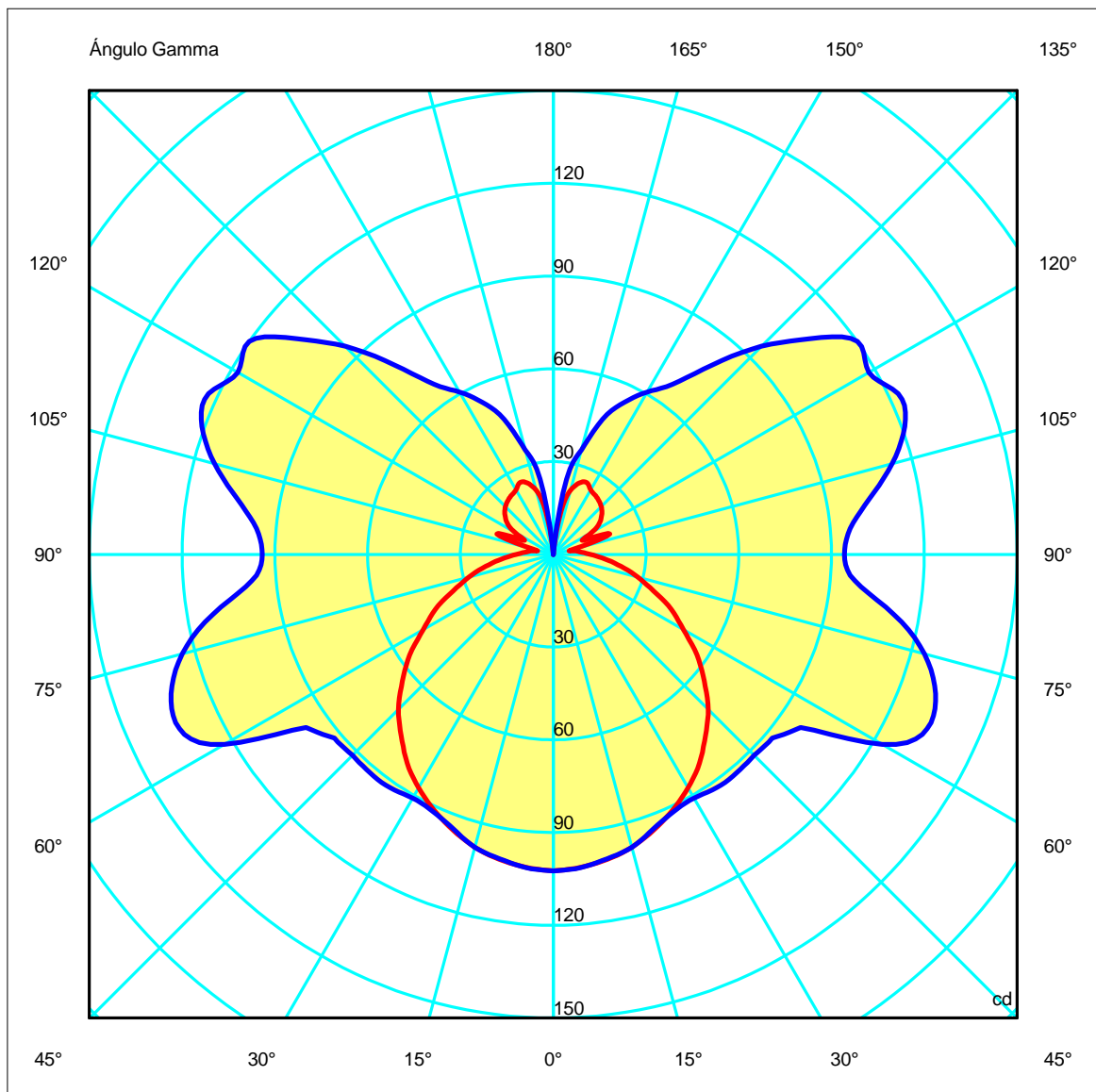
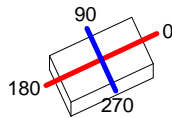
Diffuser material: Glass
Diffuser finish: Satin

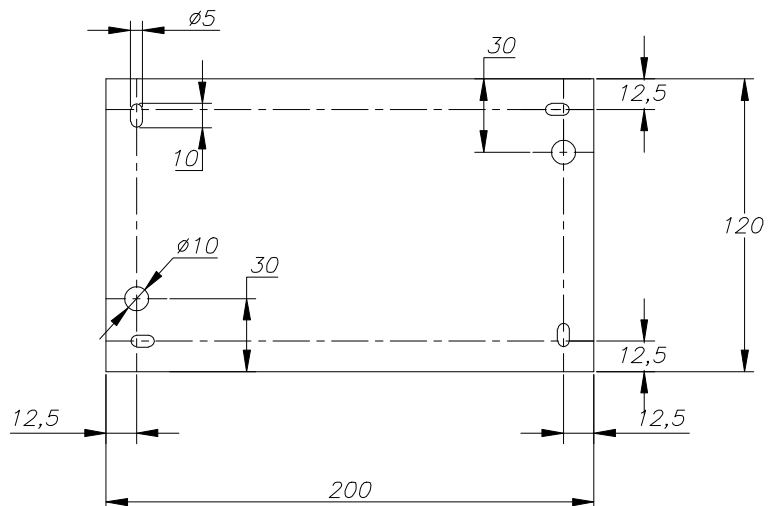
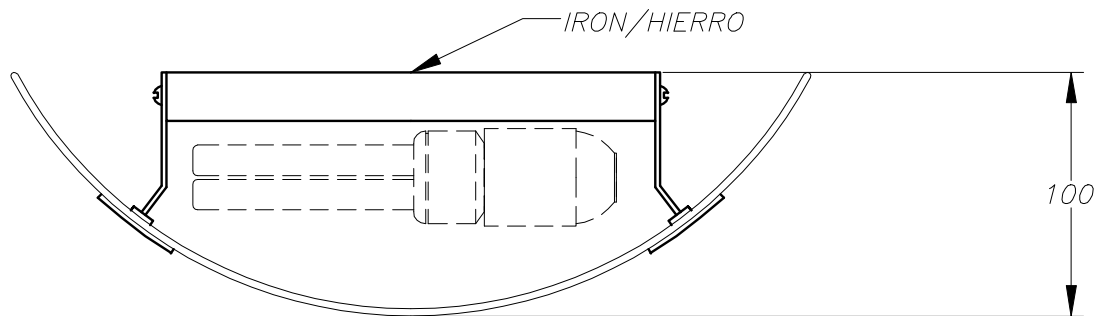
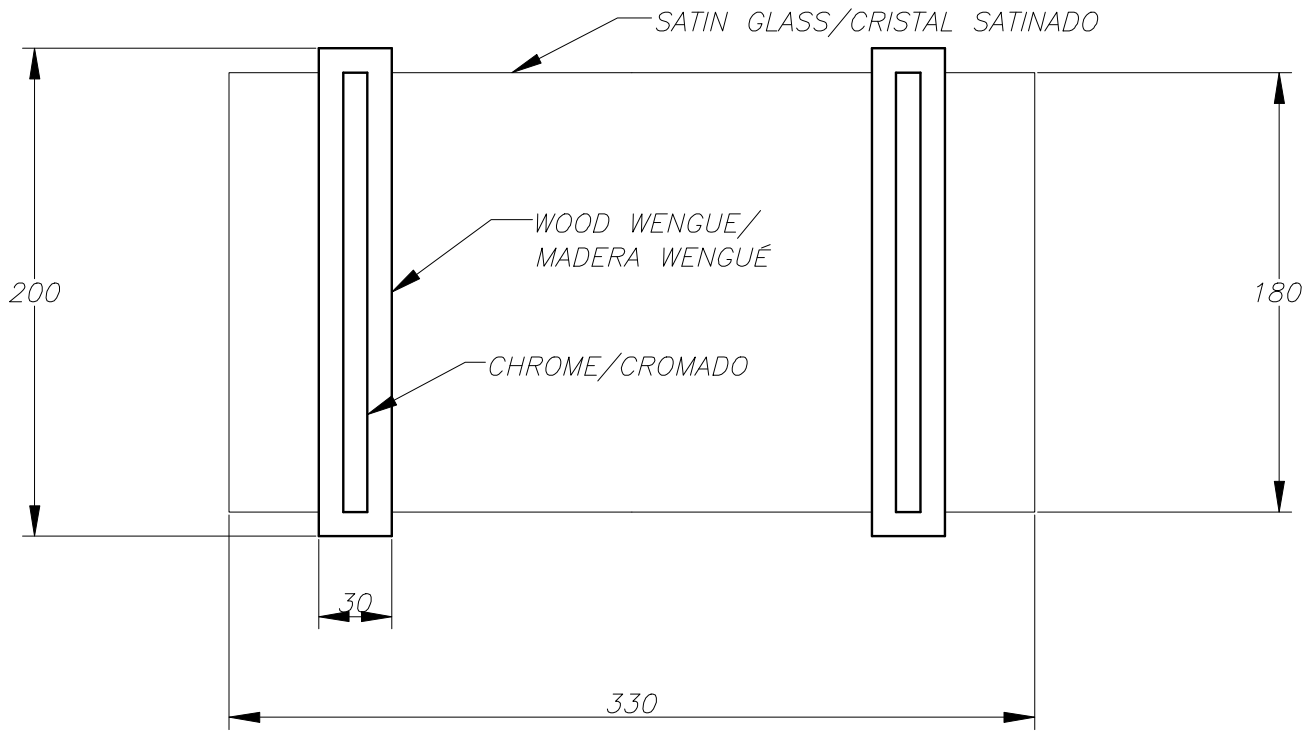
Luminaria		Ensayo		Lámpara	
Código	479-CR	Código	479-CR	Código	STANDARD GOC 60W
Nombre	Aplique LUGO 2x60W E27 opal	Nombre	Aplique LUGO 2x60W E27 opal	Número	2
Familia	- LEDS-C4	Fecha	18-03-2010	Posición	
Eficiencia	64.50%	Sist. de Coordin.	C-G	Flujo Total	1420.00 lm
Valor Máximo	134.83 cd	Posición	C=75.00 G=75.00	Bisimétrico	

180mm x 320mm

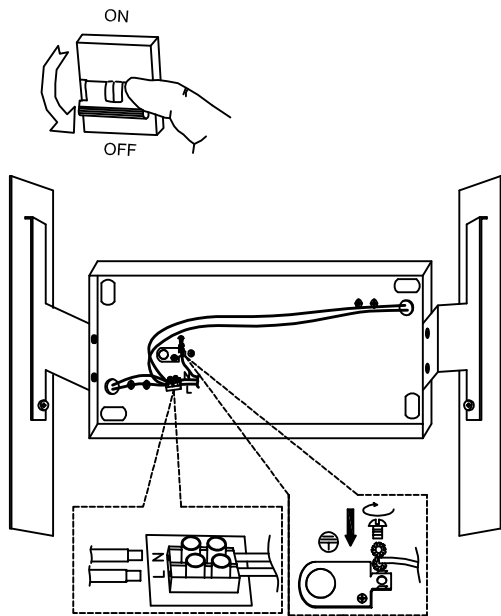
Semiplanos C

 180.0  0.0

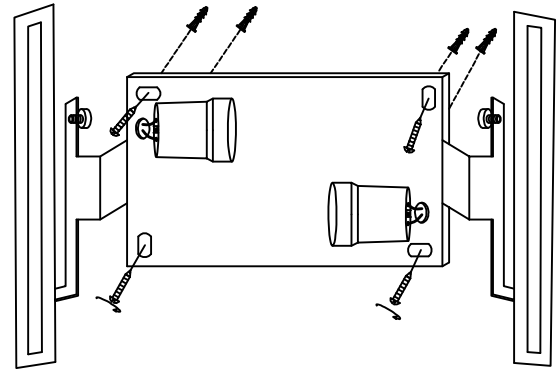
 270.0  90.0




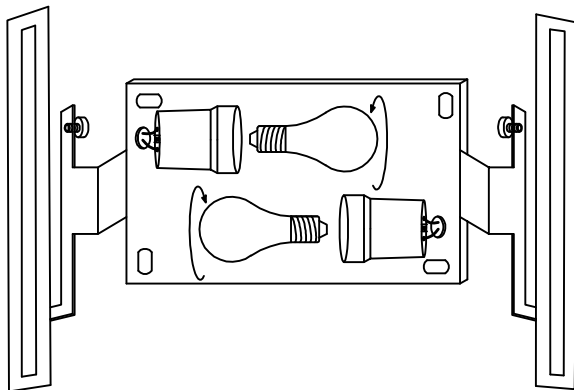
1



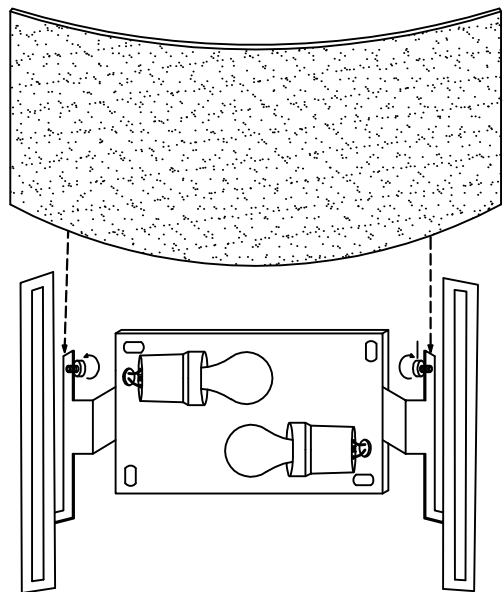
2



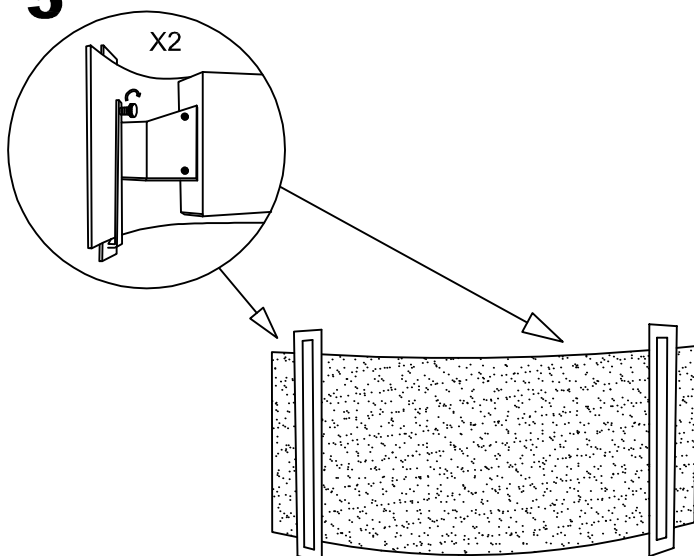
3



4



5



6

