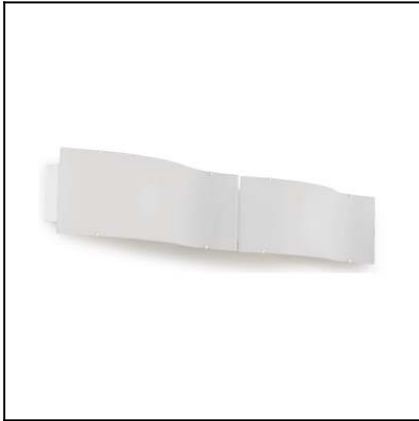
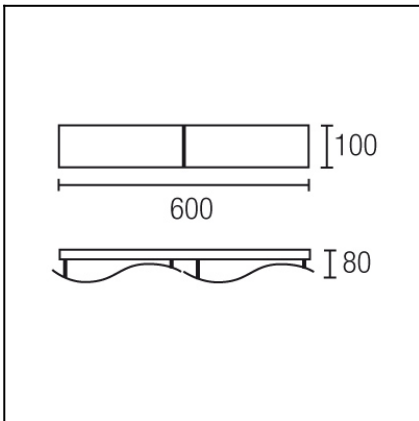


Design by Estudi Ribaudí



The photograph may not match the reference exactly. Please read the product description to identify the finish.



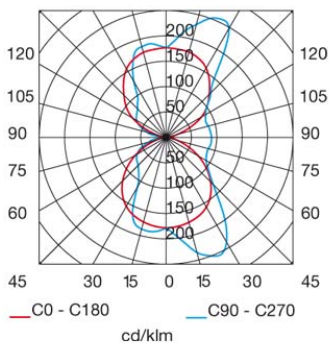
TECHNICAL CHARACTERISTICS

Type:	Wall fixture
IP Protection degrees:	IP44
Lampholder:	2 x G9
Power (W):	G9 MAX 75W
Bulb included:	2 x G9 42W. Warm White - 2500K
Total power consumption (W):	150
Voltage / Frequency:	220-240V/50-60Hz
Units per box:	4
Net Weight (Kg):	1.22
EAN:	8435111050378



MATERIALS / FINISHES

Structure material: Steel	Diffuser material: Glass
Structure finish: White lacquered	Diffuser finish: Satin



Download photometric file .ldt /.ies

Luminaria		Ensayo		Lámpara	
Código	486-BL	Código	486-BL	Código	6660AM
Nombre	Aplicue ONDA 2x60W G9 opal	Nombre	Aplicue ONDA 2x60W G9 opal	Número	2
Familia	- LEDS-C4	Fecha	28-07-2010	Posición	Universal
Eficiencia	71.93%	Sist. de Coordin.	C-G	Flujo Total	1580.00 lm
Valor Máximo	256.47 cd	Posición	C=90.00 G=155.00	Sim. en los planos	270-90

100mm x 600mm

Semiplanos C

