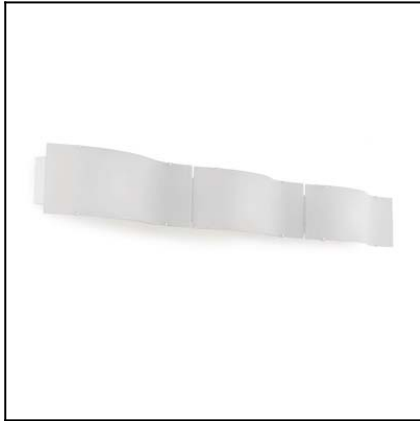
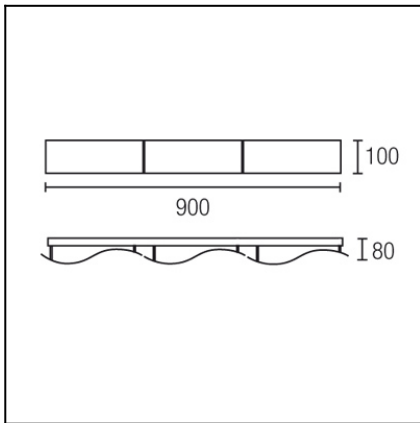


Design by Estudi Ribaudí



The photograph may not match the reference exactly. Please read the product description to identify the finish.



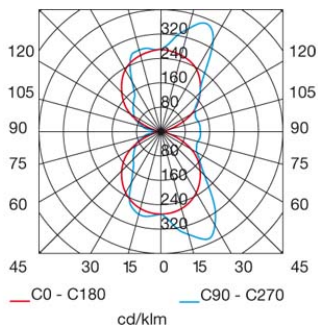
TECHNICAL CHARACTERISTICS

| | |
|------------------------------|--------------------------------|
| Type: | Wall fixture |
| IP Protection degrees: | IP44 |
| Lampholder: | 3 x G9 |
| Power (W): | G9 MAX 75W |
| Bulb included: | 3 x G9 42W. Warm White - 2500K |
| Total power consumption (W): | 225 |
| Voltage / Frequency: | 220-240V/50-60Hz |
| Units per box: | 4 |
| Net Weight (Kg): | 1.8 |
| EAN: | 8435111050385 |



MATERIALS / FINISHES

| | |
|--|---------------------------------|
| Structure material: Steel | Diffuser material: Glass |
| Structure finish: White lacquered | Diffuser finish: Satin |



Download photometric file .ldt / .ies

| | | | | | |
|------------------|----------------------------|-------------------|----------------------------|--------------------|------------|
| Luminaria | | Ensayo | | Lámpara | |
| Código | 487-BL | Código | 487-BL | Código | 66660AM |
| Nombre | Aplicue ONDA 3x60W G9 opal | Nombre | Aplicue ONDA 3x60W G9 opal | Número | 3 |
| Familia | - LEDS-C4 | Fecha | 28-07-2010 | Posición | Universal |
| Eficiencia | 71.86% | Sist. de Coorden. | C-G | Flujo Total | 2370.00 lm |
| Valor Máximo | 383.24 cd | Posición | C=90.00 G=25.00 | Sim. en los planos | 270-90 |

100mm x 900mm

Semiplanos C

