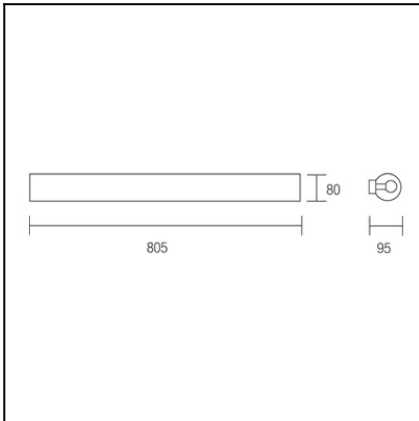




The photograph may not match the reference exactly. Please read the product description to identify the finish.



TECHNICAL CHARACTERISTICS

Type:	Wall fixture
IP Protection degrees:	IP20
Lampholder:	5 x G9
Power (W):	G9 MAX 60W
Bulb included:	5 x G9 MAX 40W
Total power consumption (W):	300
Voltage / Frequency:	220-240V/50-60Hz
Units per box:	4
Net Weight (Kg):	1.73
EAN:	8435111051238



MATERIALS / FINISHES

Structure material:

Satin aluminium

Diffuser material: Glass

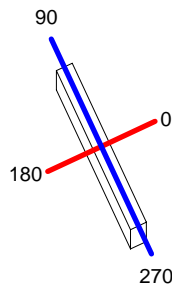
Diffuser finish: Tempered
Transparent

Download photometric file .ldt /.ies

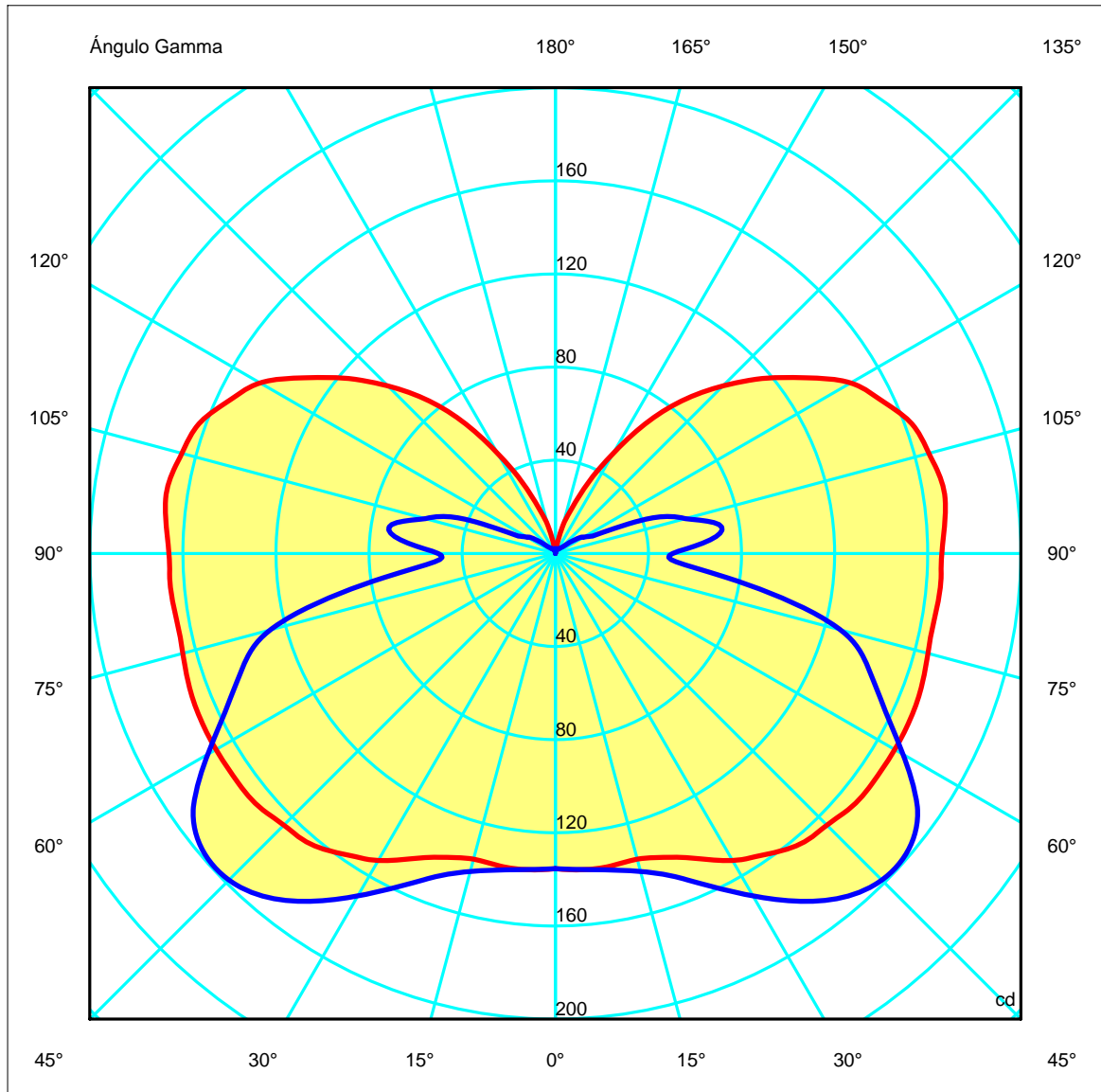
Luminaria		Ensayo		Lámpara	
Código	489-AL	Código	489-AL	Código	65940
Nombre	Aplique MAKE UP 5x40W halog G9	Nombre	Aplique MAKE UP 5x40W halog G9	Número	5
Familia	- LEDS-C4	Fecha	18-03-2010	Posición	Universal
Eficiencia	83.93%	Sist. de Coordin.	C-G	Flujo Total	2100.00 lm
Valor Máximo	199.62 cd	Posición	C=75.00 G=50.00	Bisimétrico	

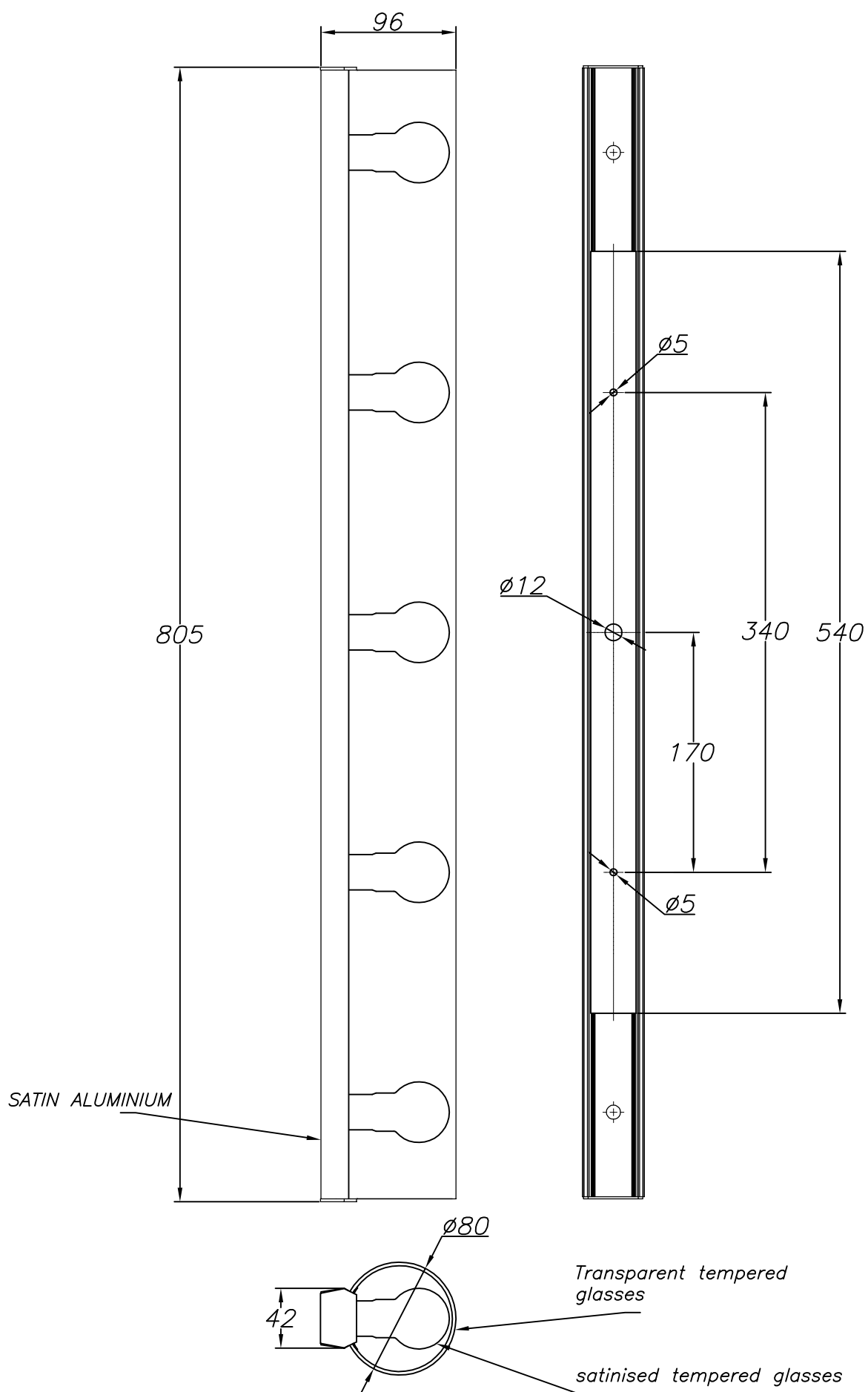
800mm x 80mm

Semiplanos C



180.0 ————— 0.0
 270.0 ————— 90.0





LEDS

488-AL/489-AL

IMC 488

