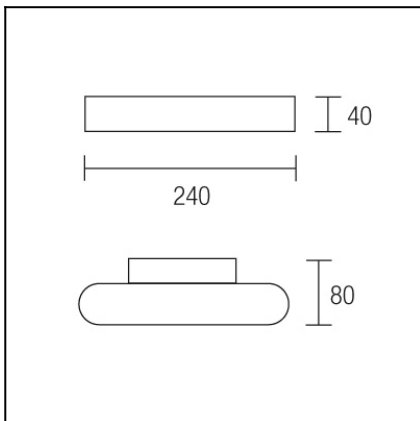


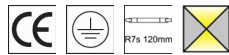


The photograph may not match the reference exactly. Please read the product description to identify the finish.



**TECHNICAL CHARACTERISTICS**

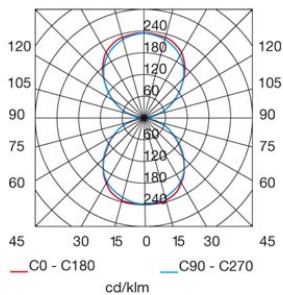
Type:	Wall fixture
Lampholder:	1 x R7s
Power (W):	R7s MAX 150W
Bulb included:	1 x R7s 120W
Total power consumption (W):	150
Voltage / Frequency:	220-240V/50-60Hz
Units per box:	4
Net Weight (Kg):	0.595
EAN:	8435111051269



**MATERIALS / FINISHES**

**Structure material:** Steel  
**Structure finish:** Chrome

**Diffuser material:** Glass  
**Diffuser finish:** Satin

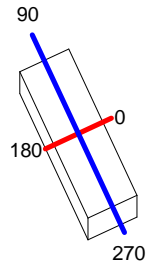


$\eta=59,09\%$

Download photometric file .ldt /.ies

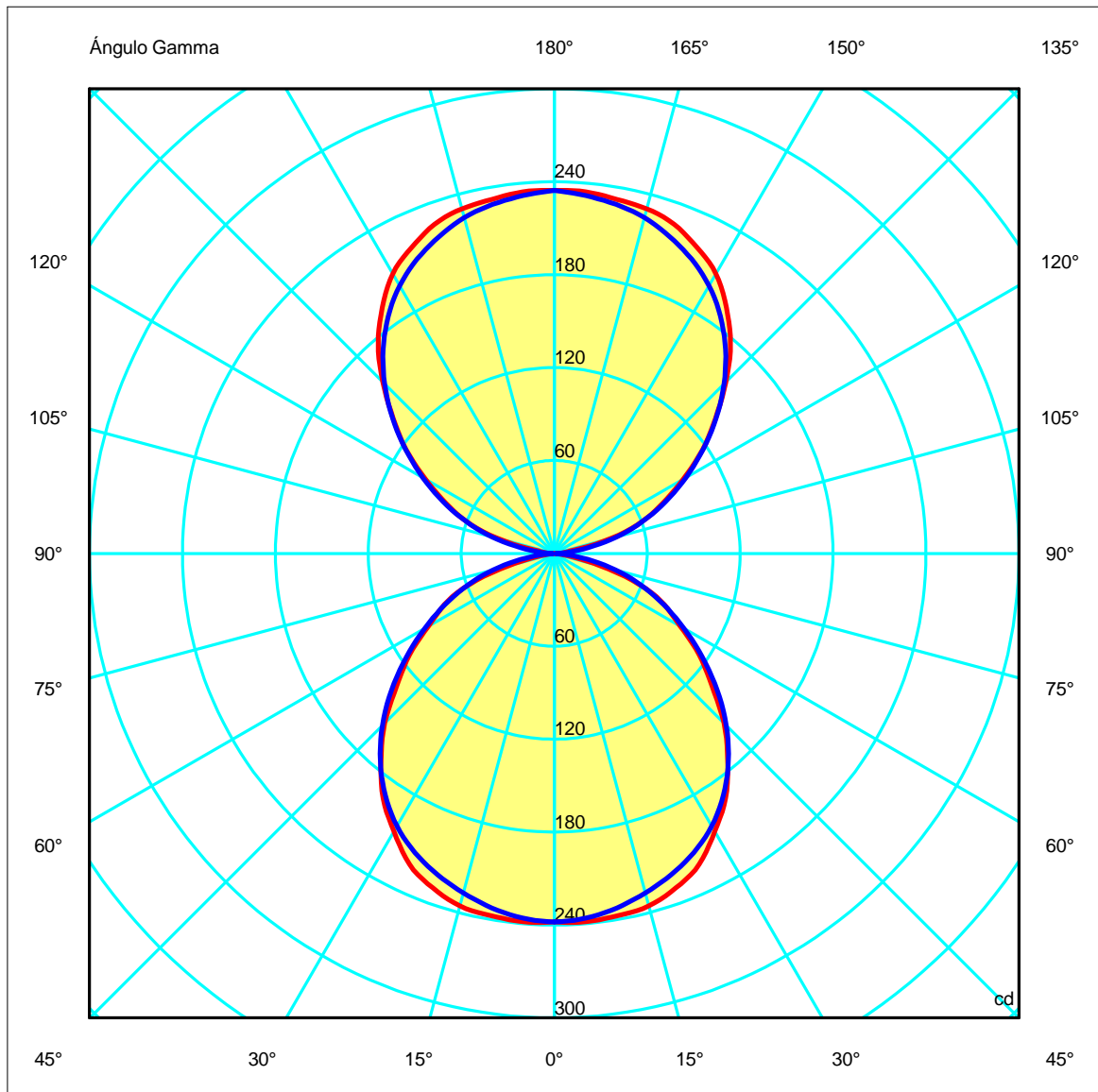
<b>Luminaria</b> Código 492-CR Nombre Aplique HALF 150W R7s opal Familia - LEDS-C4		<b>Ensayo</b> Código 492-CR Nombre Aplique HALF 150W R7s opal Fecha 18-03-2010		<b>Lámpara</b> Código 150T3 Q/CL/P 230V SM Número 1 Posición	
Eficiencia	59.09%	Sist. de Coordin.	C-G	Flujo Total	2250.00 lm
Valor Máximo	238.63 cd	Posición	C=0.00 G=5.00	Bisimétrico	

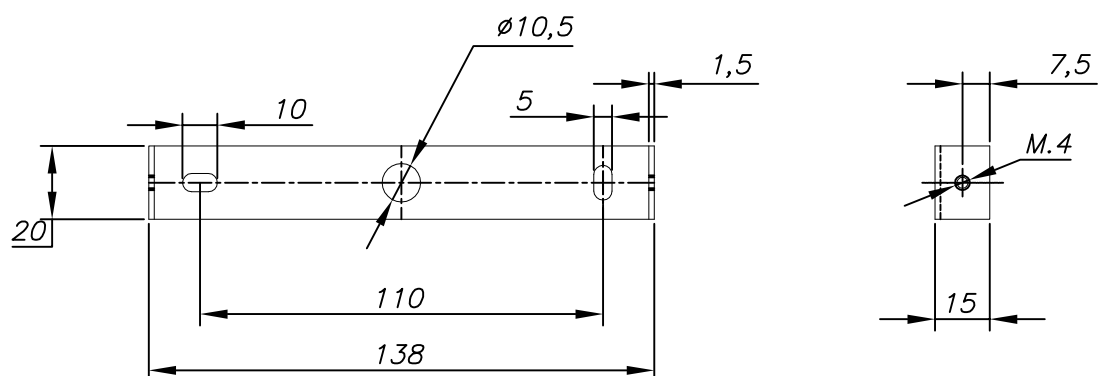
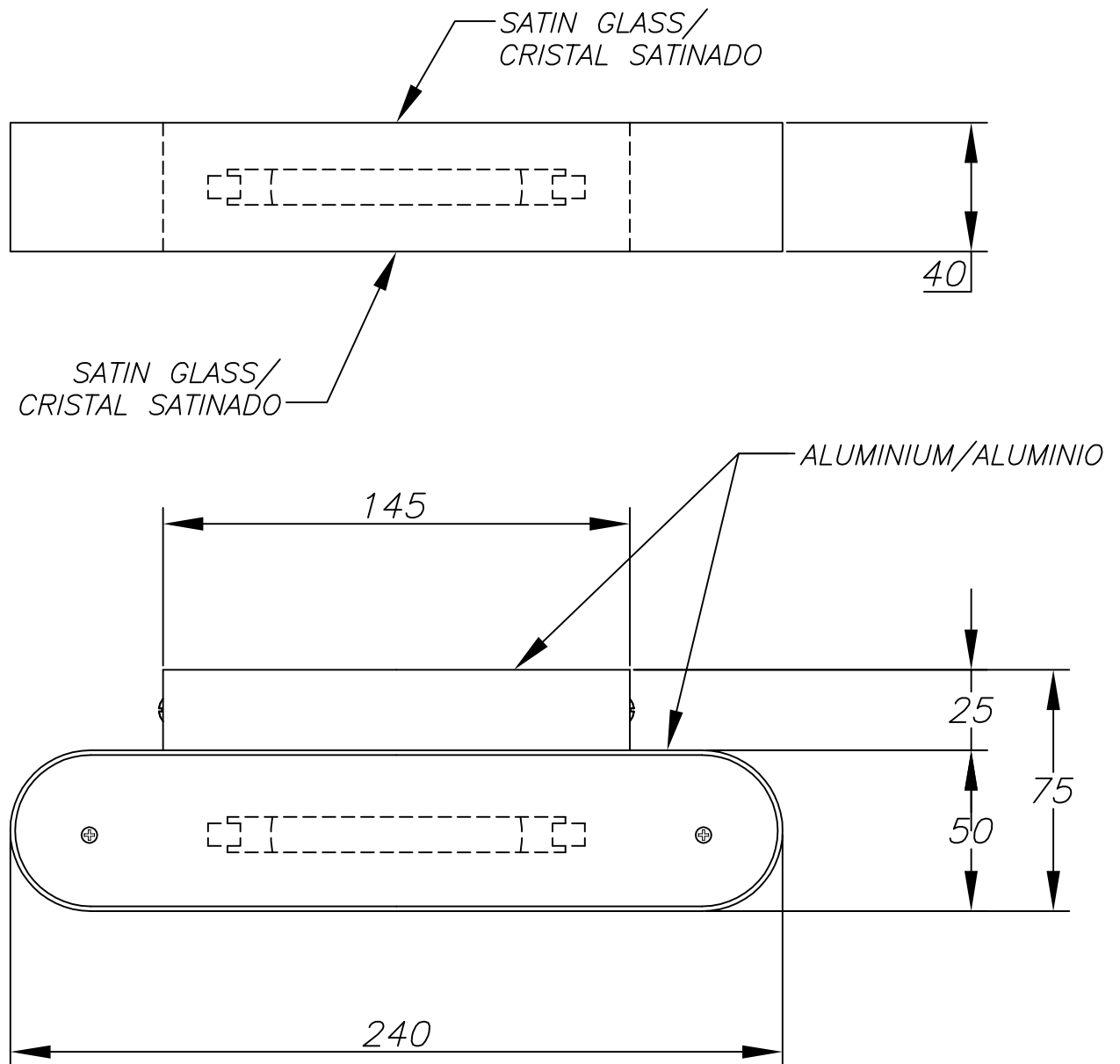
240mm x 80mm



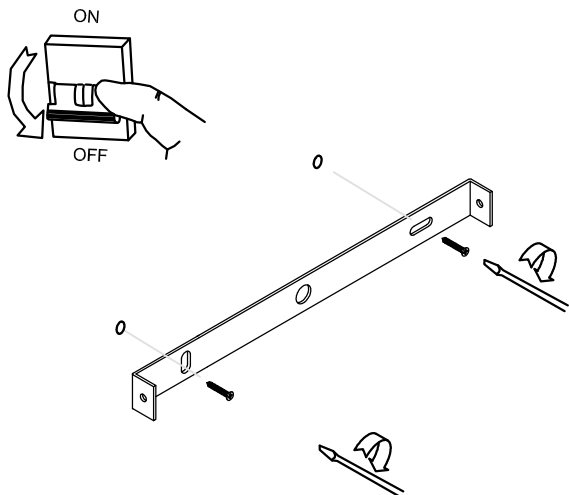
Semiplanos C

180.0 ——— 0.0  
270.0 ——— 90.0

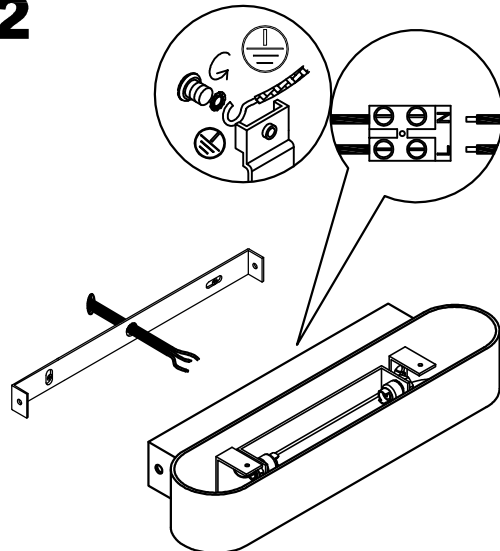




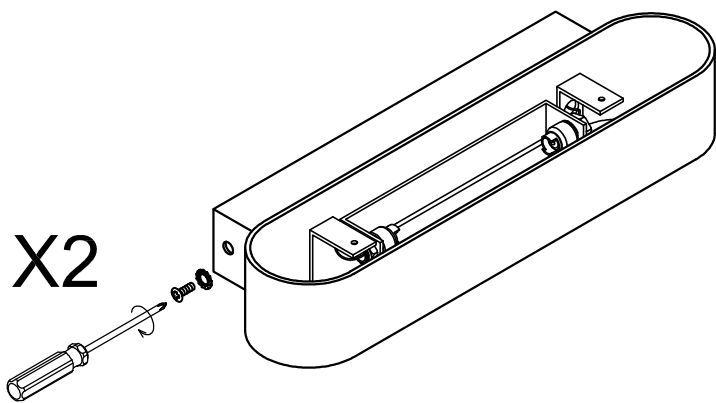
1



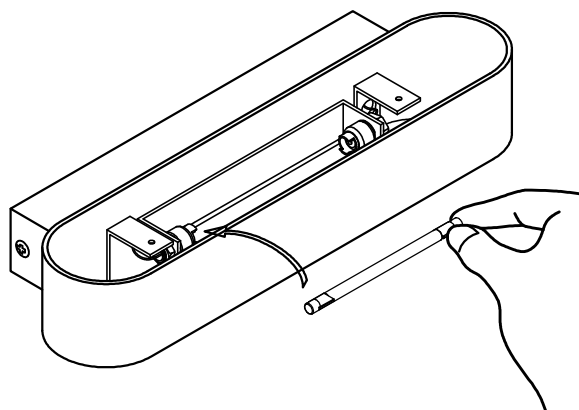
2



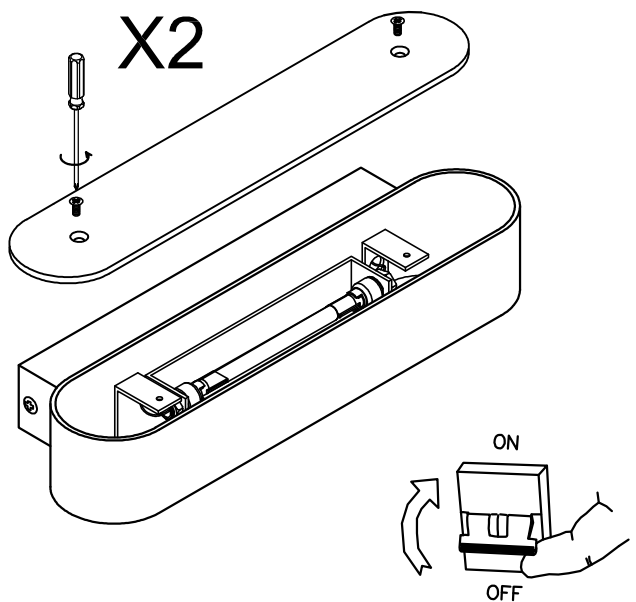
3



4



5



6

