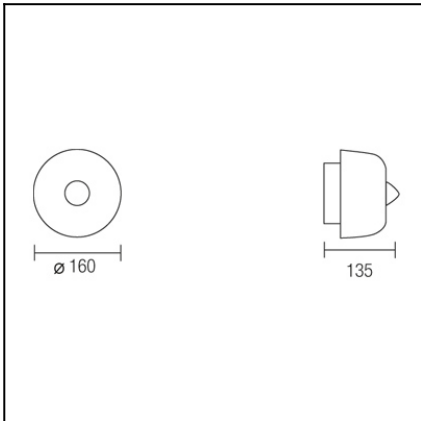




The photograph may not match the reference exactly. Please read the product description to identify the finish.



TECHNICAL CHARACTERISTICS

Type:	Wall fixture
IP Protection degrees:	IP23
Lampholder:	1 x E14
Power (W):	E14 MAX 40W
Bulb included:	1 x E14 MAX 40W
Total power consumption (W):	40
Voltage / Frequency:	220-240V/50-60Hz
Units per box:	6
Net Weight (Kg):	0.6
EAN:	8435111053263



MATERIALS / FINISHES

Structure material: Steel
Structure finish: Chrome

Diffuser material: Glass
Diffuser finish: Transparent

[Download photometric file .ldt /.ies](#)

Luminaria		Ensayo		Lámpara	
Código	510-CR	Código	510-CR	Código	DECOR P SILV 40
Nombre	Aplicque SUNNY 1x40W E14 reflec	Nombre	Aplicque SUNNY 1x40W E14 decor	Número	1
Familia	- LEDS-C4	Fecha	13-04-2010	Posición	Universal
Eficiencia	80.17%	Sist. de Coorden.	C-G	Flujo Total	320.00 lm
Valor Máximo	82.00 cd	Posición	C=30.00 G=130.00	Bisimétrico	

Diam=162mm

Semiplanos C

