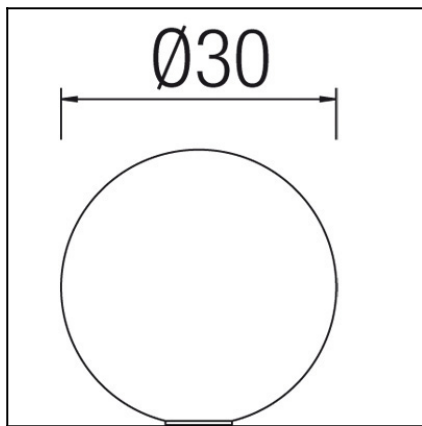




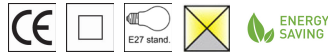
The photograph may not match the reference exactly. Please read the product description to identify the finish.



Download photometric file .ldt / .ies

#### TECHNICAL CHARACTERISTICS

Type:	Table lamp
IP Protection degrees:	IP44
Lampholder:	1 x E27
Power (W):	E27 MAX 100W
Total power consumption (W):	100
Voltage / Frequency:	230V/50-60Hz
Units per box:	4
Net Weight (Kg):	0.97
EAN:	8435111082775



#### MATERIALS / FINISHES

**Structure material:** Polycarbonate

**Diffuser material:** Methacrylate

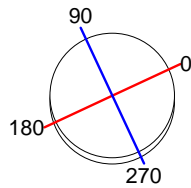
**Structure finish:** Black

**Diffuser finish:** Opal

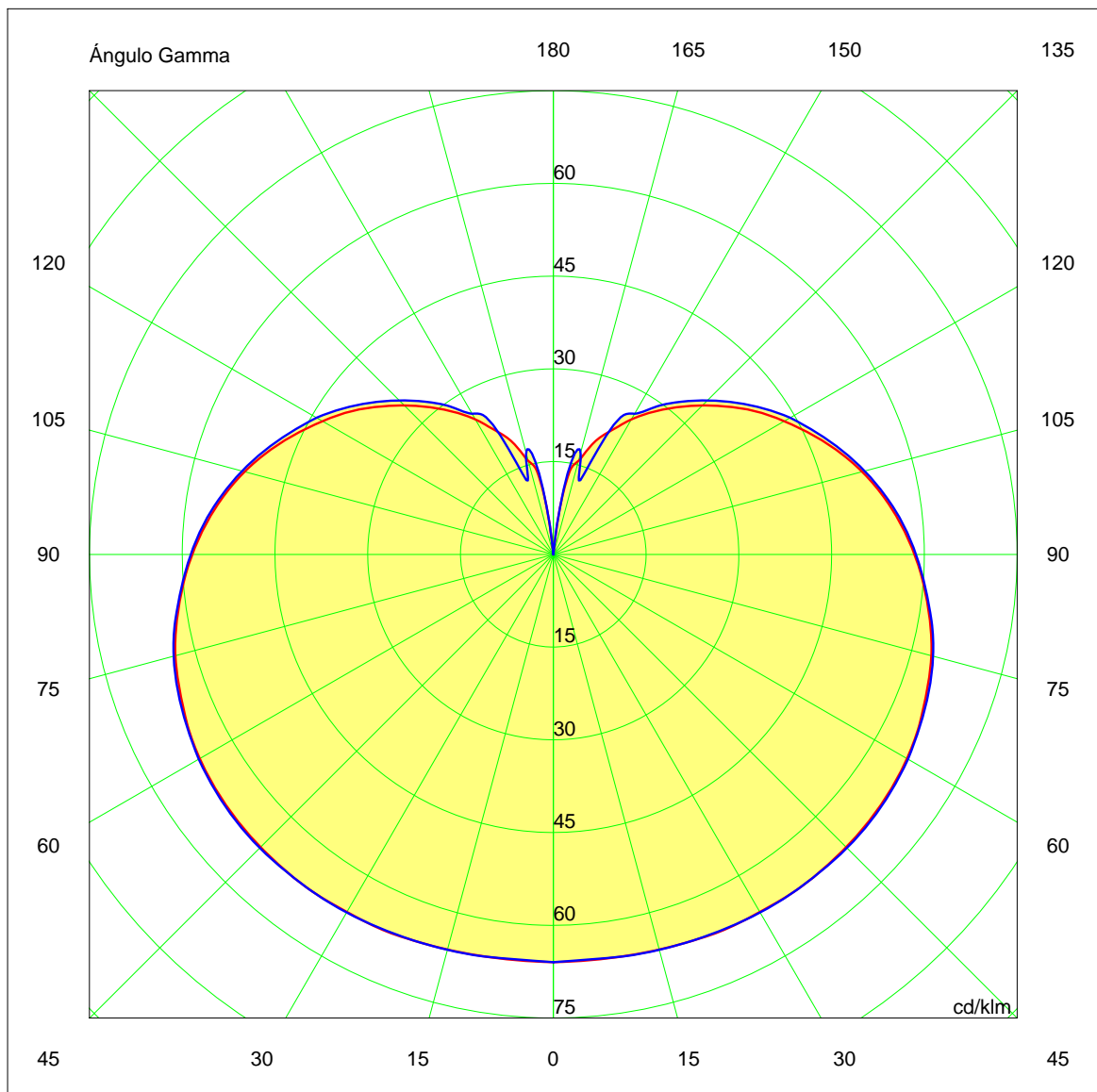
<b>Luminaria</b> Código 55-9155-Y4-M1 Nombre Bola diám. 300 1x23W TC-EL E27 Familia - LEDS-C4		<b>Ensayo</b> Código 55-9155-Y4-M1 Nombre Bola 23W TC-EL E27 Fecha 17-11-2008		<b>Lámpara</b> Código DELN2341 Número 1 Posición Universal	
Eficiencia	66.47%	Sist. de Coordin.	C-G	Flujo Total	1500.00 lm
Valor Máximo	67.52 cd/klm	Posición	C=60.00 G=40.00	Bisimétrico	

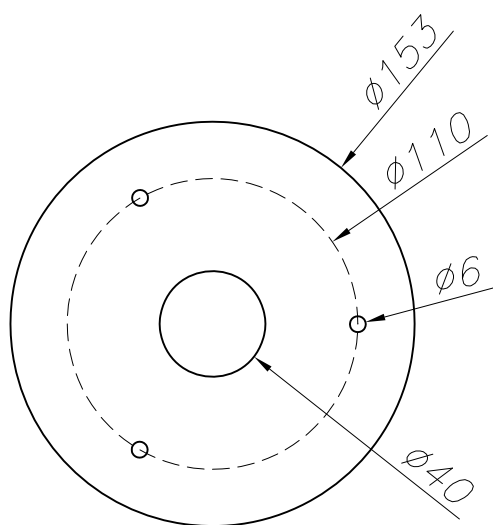
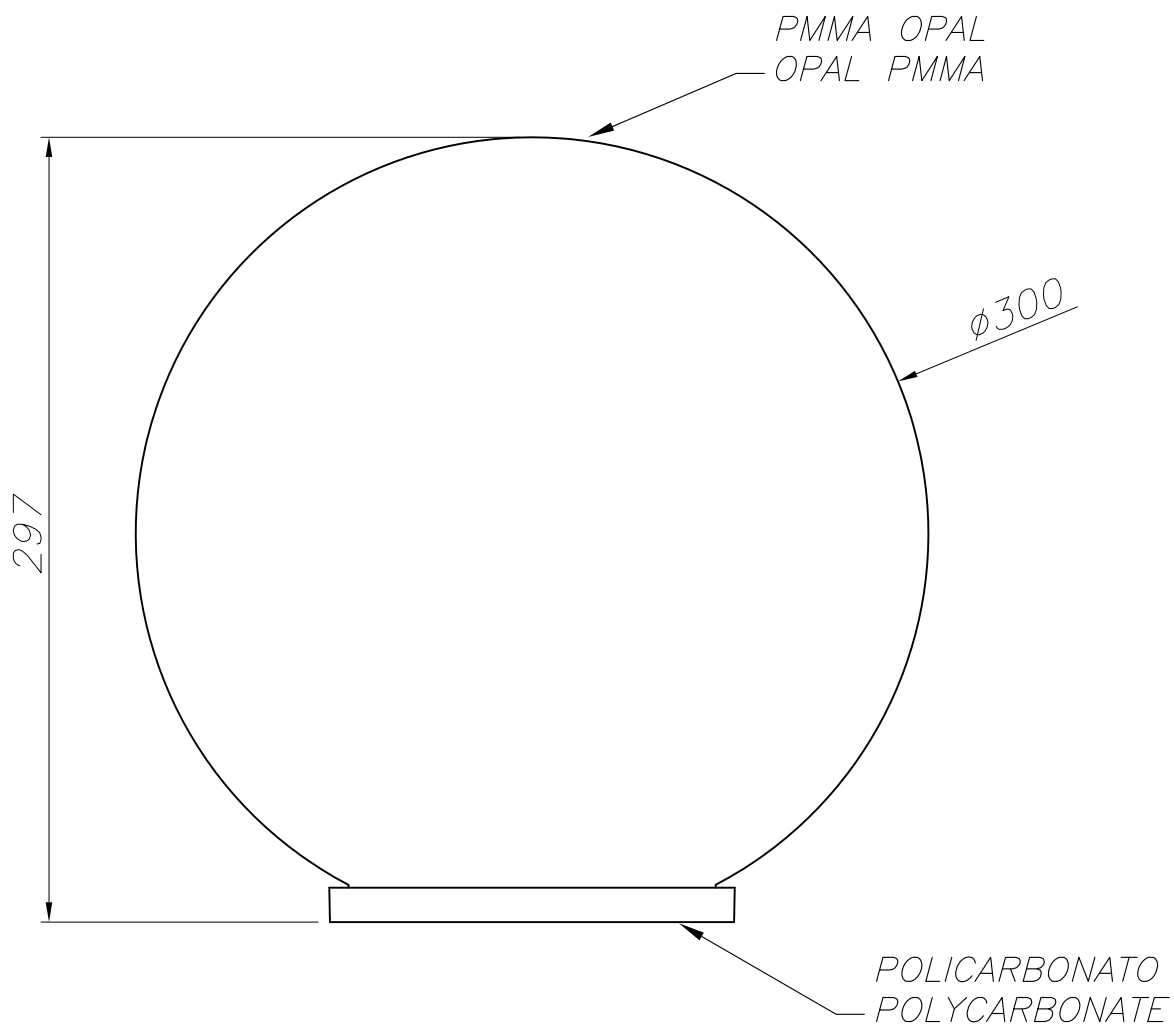
Diam=300mm

Semiplanos C



180.0 ——— 0.0  
270.0 ——— 90.0





PLANTILLA DE INSTALACIÓN  
INSTALLATION TEMPLATE

