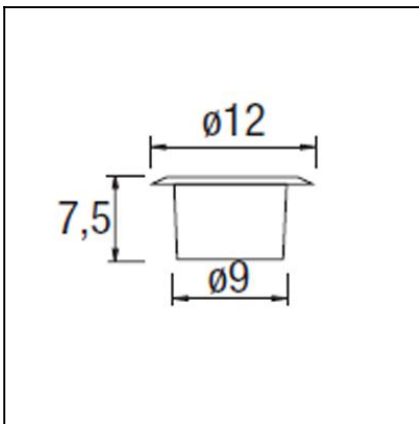


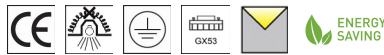


The photograph may not match the reference exactly. Please read the product description to identify the finish.



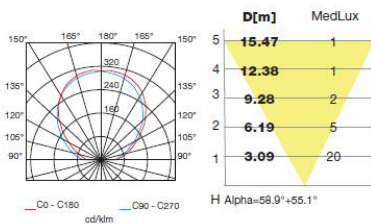
TECHNICAL CHARACTERISTICS

Type:	Uplight
IP Protection degrees:	IP67
IK Protection degrees:	IK08
Lampholder:	1 x GX53
Power (W):	GX53 MAX 9W
Total power consumption (W):	9
Voltage / Frequency:	230V/50-60Hz
Units per box:	8
Net Weight (Kg):	0.6
EAN:	8435111044544



MATERIALS / FINISHES

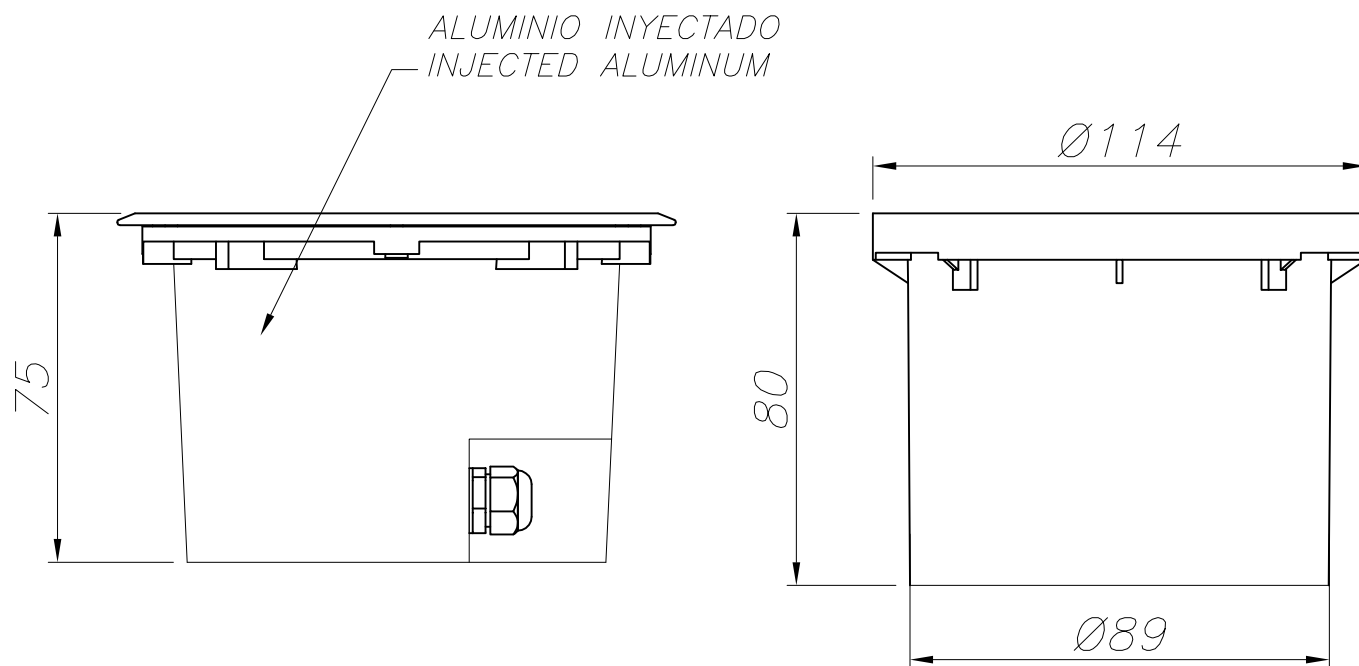
Structure material: Stainless steel AISI304 Injected aluminium	Diffuser material: Glass
	Diffuser finish: Tempered



Download photometric file .ldt /.ies

71-9450-CA-CA

**Structure material:** Stainless steel AISI316



CAJA DE EMPOTRAR
FLUSH FITTING BOX

