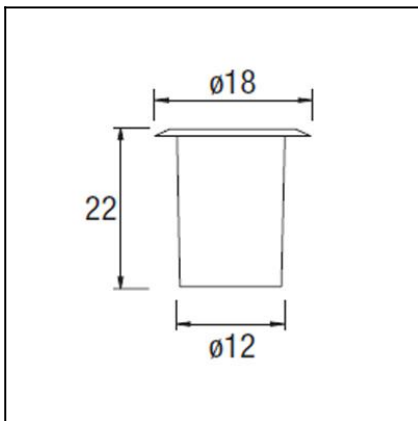




The photograph may not match the reference exactly. Please read the product description to identify the finish.



DESCRIPTION

May be flush mounted onto the ceiling. Body produced in injected aluminium, with an AISI 304 stainless steel surround and a tempered glass diffuser. For E-27 light source, compatible with LED, compact fluorescent and halogen lamps. Its wire outlets on both sides makes it suitable for an array installation. Includes flush mounting box.

TECHNICAL CHARACTERISTICS

Type:	Uplight
IP Protection degrees:	IP67
IK Protection degrees:	IK08
Lampholder:	1 x E27/PAR-30
Power (W):	E27/PAR-30 MAX 75W
Total power consumption (W):	75
Voltage / Frequency:	230V/50-60Hz
Units per box:	6
Net Weight (Kg):	2.37
EAN:	8435111044568

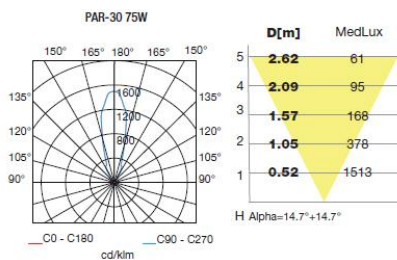


MATERIALS / FINISHES

Structure material: Stainless steel
 AISI304
 Injected aluminium

Diffuser material: Glass

Diffuser finish: Tempered



Download photometric file .ldt / .ies

71-9639-CA-CA



STAINLESS STEEL AISI-304

INJECTED ALUMINIUM

Ø180

Ø180

220

20

247

Ø120

Ø145

FLUSH FITTING BOX

TEMPERED GLASS
2 GLASSES INCLUDED
TRANSPARENT AND FROSTED

