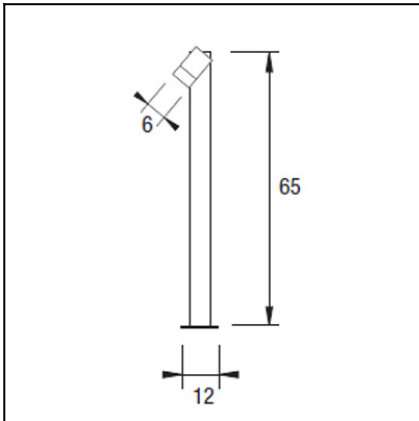


The photograph may not match the reference exactly. Please read the product description to identify the finish.



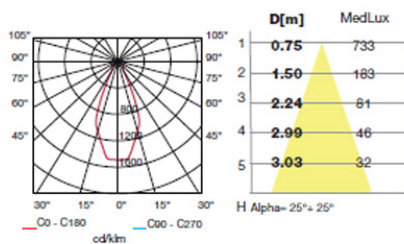
TECHNICAL CHARACTERISTICS

Type:	Beacon
Adjustable $\pm 120^\circ$ on the horizontal axis.	
IP Protection degrees:	IP44
Lampholder:	2 x GU10
Power (W):	GU10 max. 50W
Bulb included:	2 x GU10 50. Warm white (<3700 K)
Voltage / Frequency:	220-240V/50-60Hz
Units per box:	2
Net Weight (Kg):	2.725
EAN:	8435111044766

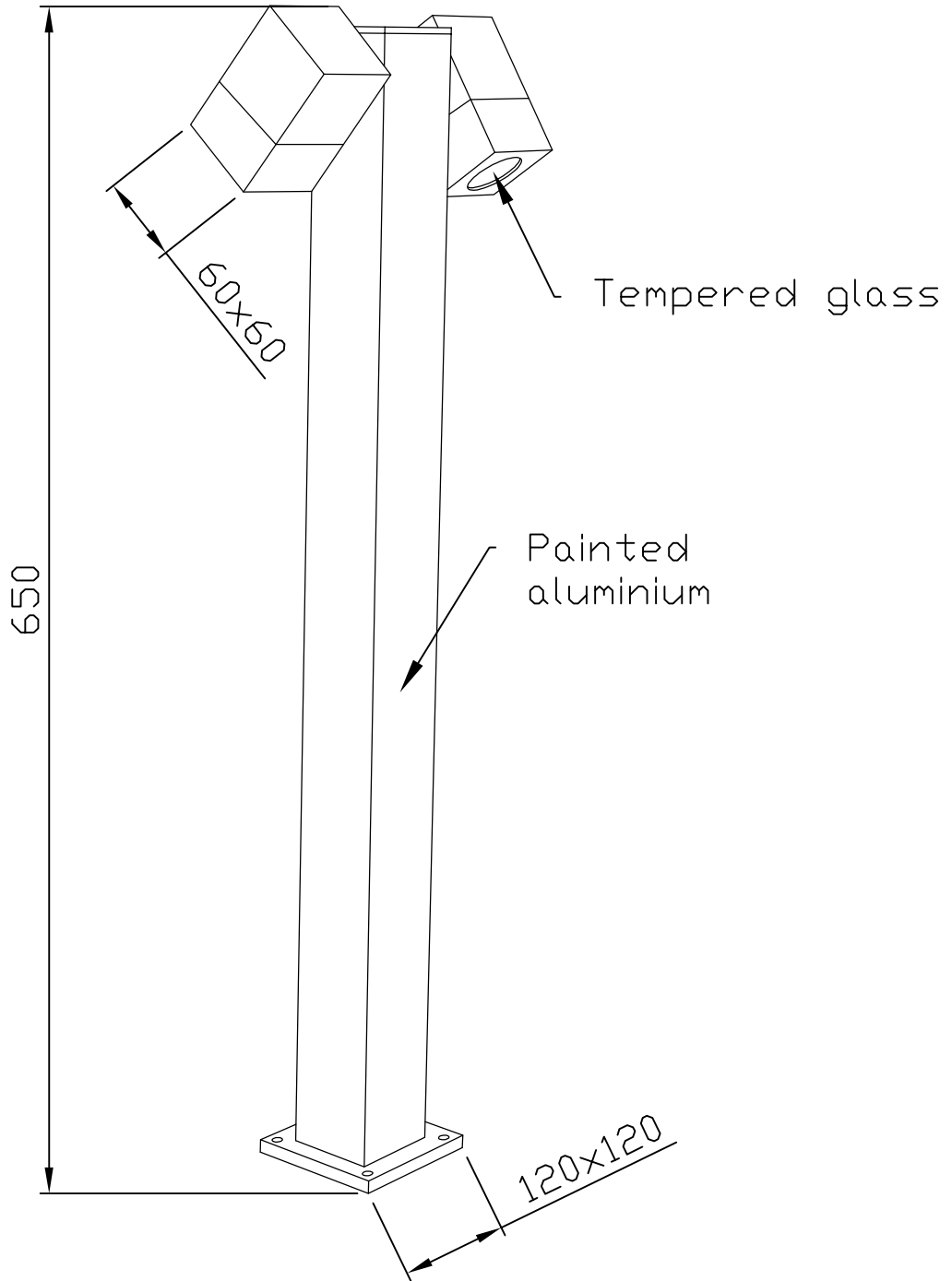


MATERIALS / FINISHES

Structure material:	Injected aluminium	Diffuser material:	Glass
Structure finish:	Grey	Diffuser finish:	Tempered



Download photometric file .ldt /.ies





LED S-C4

OUTDOOR

55-9190

