

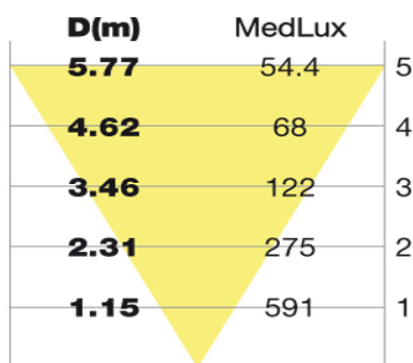
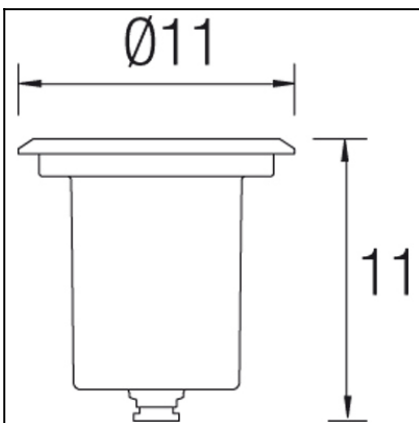
OUT 

AQUA

55-9245-CA-37



The photograph may not match the reference exactly. Please read the product description to identify the finish.



H Alpha= 30°+ 30°

Download photometric file .ldt / .ies

TECHNICAL CHARACTERISTICS

Type:	Uplight
IP Protection degrees:	IP68 (1m)
IK Protection degrees:	IK08
Lampholder:	1 x GU5.3
Power (W):	GU5.3 50 W
Voltage / Frequency:	12VAC
Units per box:	12
Net Weight (Kg):	0.675
EAN:	8435111089286



MATERIALS / FINISHES

Structure material: Stainless steel
AISI316

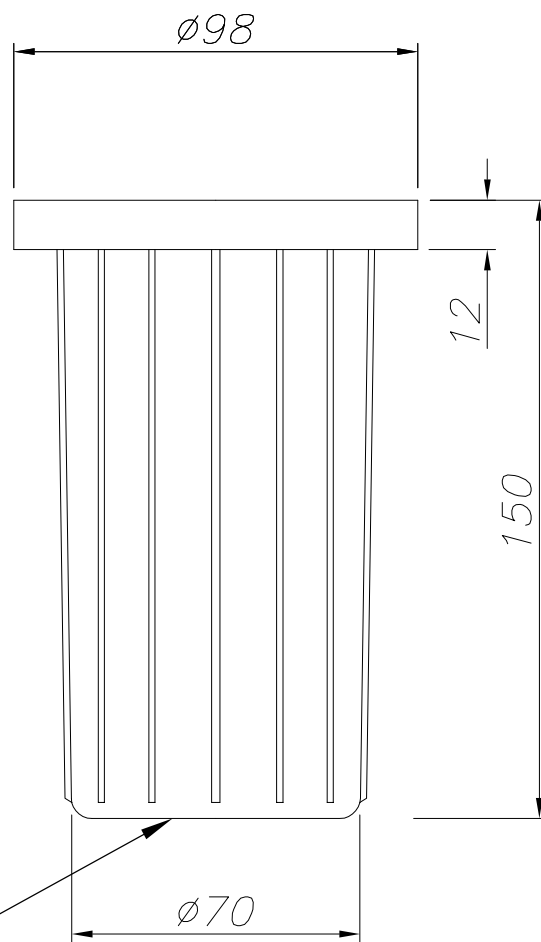
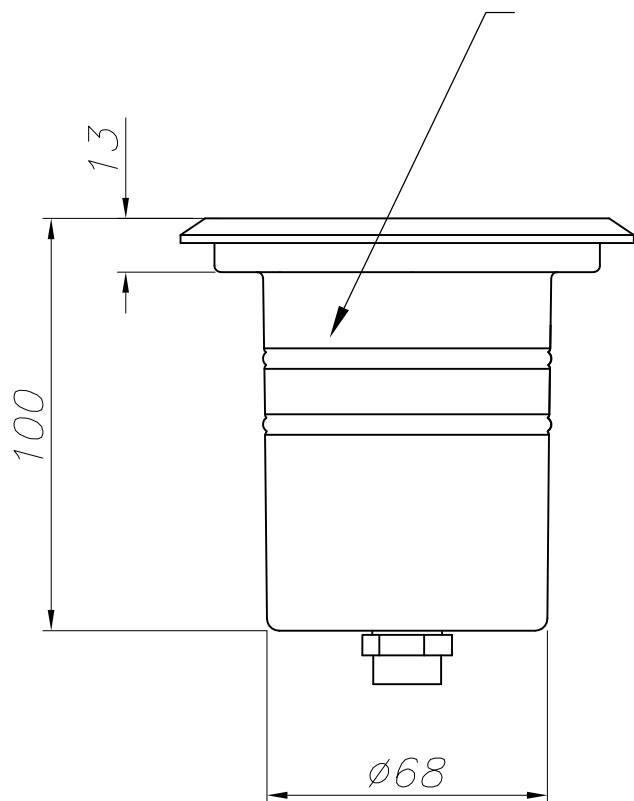
Diffuser material: Glass

Diffuser finish: Tempered

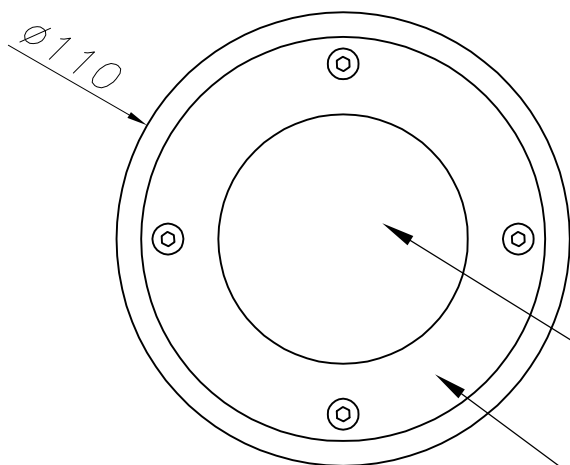
GEAR

Necessary equipment not included. For more information check website / catalogs / sales organization.

ACERO INOXIDABLE AISI 316
STAINLESS STEEL AISI 316



CAJA DE EMPOTRAR
FLUSH FITTING BOX



CRISTAL TEMPLADO TRANSPARENTE
TRANSPARENT TEMPERED GLASS

ACERO INOXIDABLE AISI 316
STAINLESS STEEL AISI 316

