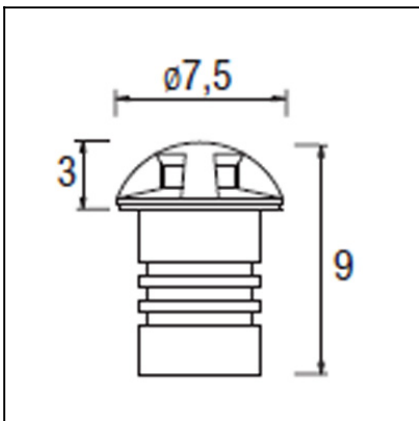




The photograph may not match the reference exactly. Please read the product description to identify the finish.

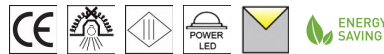


DESCRIPTION

May be flush mounted into the ground. Body and surround produced in anodized aluminium with a clear polycarbonate diffuser. 4,000K LED light source comprising one 1W 350mA LED light with a total output of 107 lumens. Transformer required. Includes a 2.5 m lead and 4 colour filters (yellow, green, blue and red).

TECHNICAL CHARACTERISTICS

Type:	Uplight
IP Protection degrees:	IP68 (1m)
IK Protection degrees:	IK10
Bulb:	1 x LED. Neutral white (5000 - 3700 K)
Power (W):	1W
Voltage / Frequency:	3V DC
Possibilitat extensió garantia:	Sí, 5 anys
Units per box:	8
Net Weight (Kg):	0.42
EAN:	8435111049501

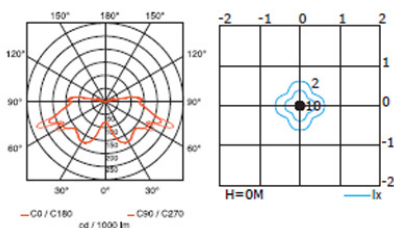


MATERIALS / FINISHES

Structure material: Anodized aluminium

Diffuser material: Polycarbonate

Diffuser finish: Transparent



GEAR

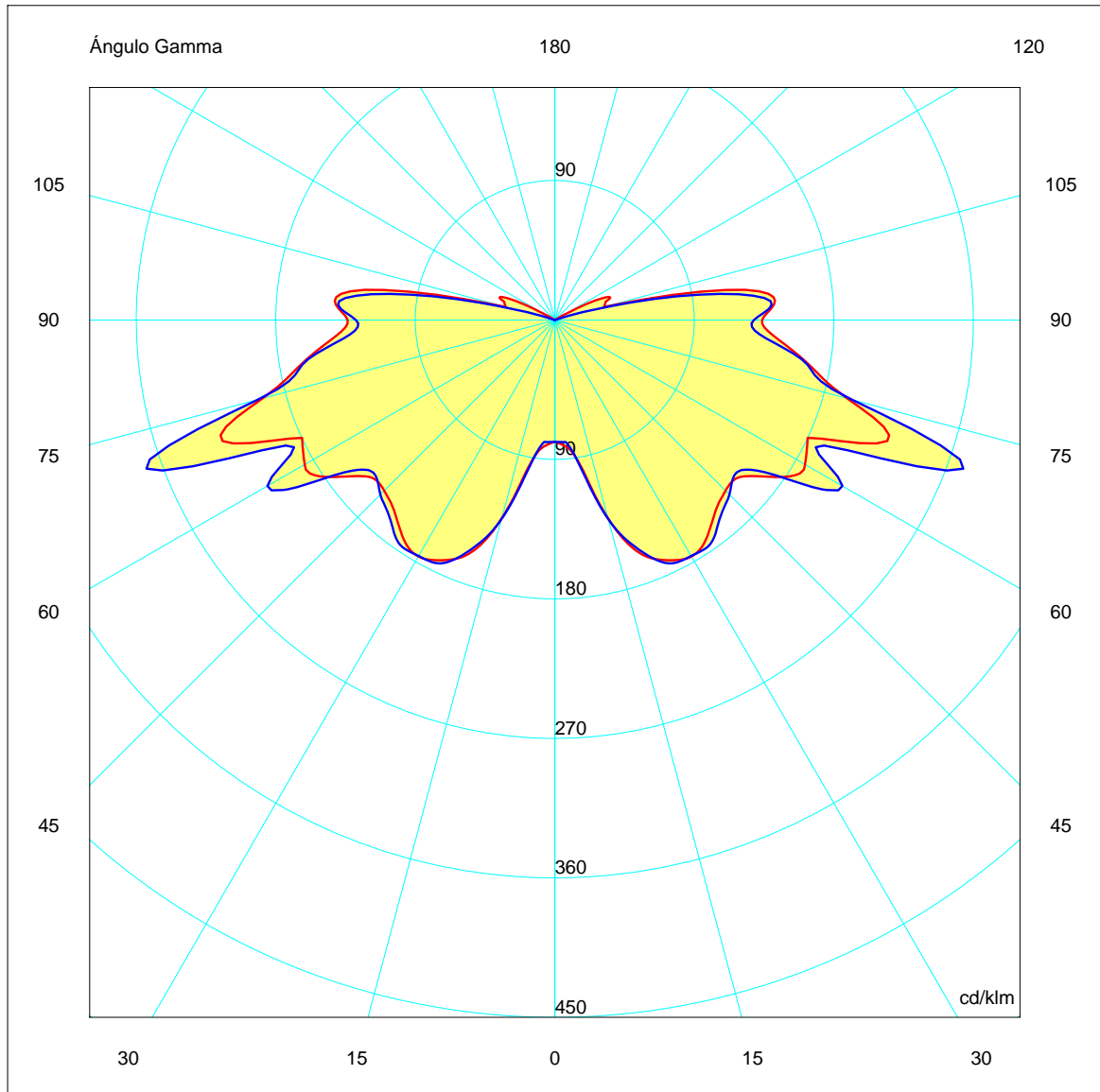
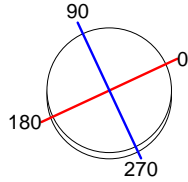
Necessary equipment not included. For more information check website / catalogs / sales organization.

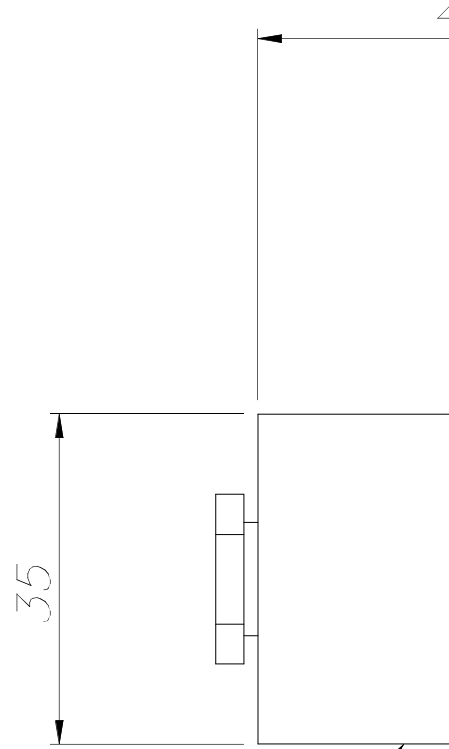
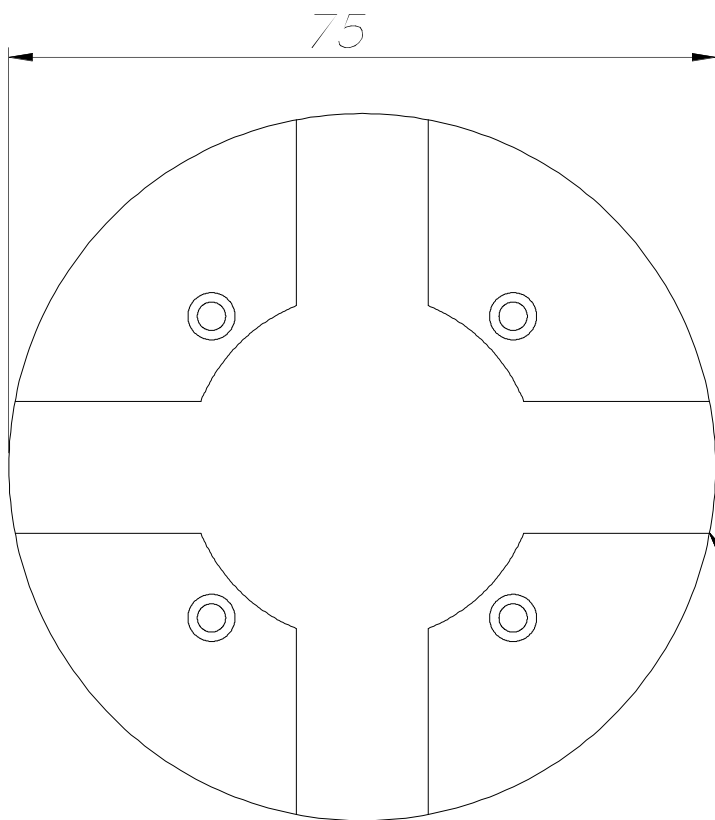
Download photometric file .ldt / .ies

Luminaria		Ensayo		Lámpara	
Código	55-9257-54-M2	Código	55-9257-54-M2	Código	55-9257-54-M2
Nombre	Uplight 1W (LED) 3V DC 300 mA	Nombre	Uplight 1W (led) 3V DC 300mA	Número	1
Familia	- LEDS-C4	Fecha	22-11-2008	Posición	UNIVERSAL
Eficiencia	99.66%	Sist. de Coorden.	C-G	Flujo Total	7.00 lm
Valor Máximo	286.13 cd/klm	Posición	C=75.00 G=70.00	Bisimétrico	

Diam=75mm Incasso

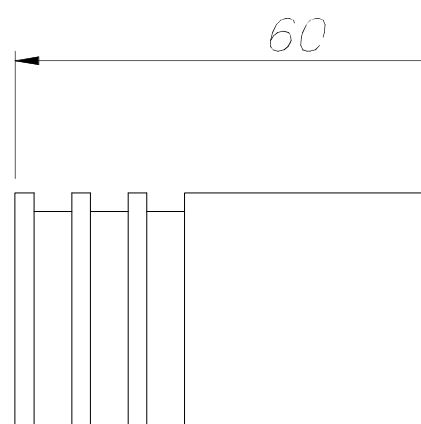
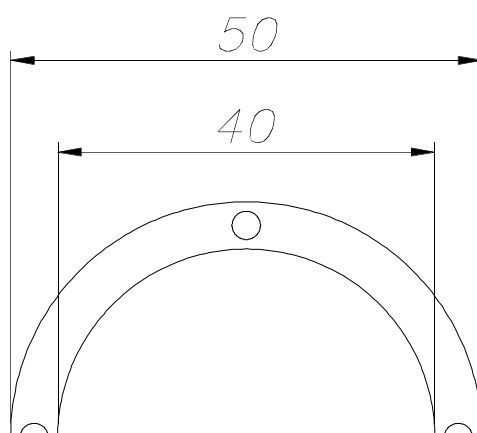
Semiplanos C





ALUMINIO ANODIZADO
ANODIZED ALUMINIUM

POLICARBONATO TRANSLUCENTE
TRANSLUCENT POLYCARBONATE





LED S G4

OUTDOOR

55-9257

