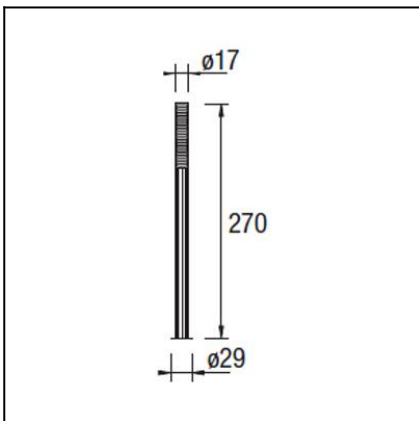




The photograph may not match the reference exactly. Please read the product description to identify the finish.



### DESCRIPTION

Lamp post produced in extruded aluminium with a clear polycarbonate diffuser. Available in 4 x 2G11 55W (with height options of 270 cm or 350 cm) and also available in 2 x GX24q-4 26W, 32W and 42W. Top brand 230V electronic components included. Finished in grey. Grooved surface to discourage bill posting. Includes anti-light pollution reflector and installation kit including fixing bolts. Option of separate purchase of a rotatable reflector accessory.

### TECHNICAL CHARACTERISTICS

Type:	Streetlight
IP Protection degrees:	IP65
IK Protection degrees:	IK08
Lampholder:	4 x 2G11
Power (W):	2G11 55W
Voltage / Frequency:	230V/50-60Hz
Units per box:	5
Net Weight (Kg):	16.9
EAN:	8435111050057



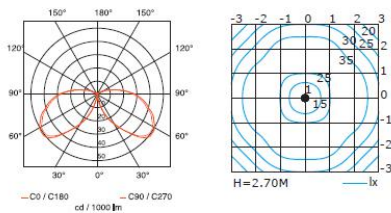
### MATERIALS / FINISHES

**Structure material:** Extruded aluminium

**Diffuser material:** Polycarbonate

**Structure finish:** Grey

**Diffuser finish:** Transparent



### GEAR

Gear included: Yes, electronic

Download photometric file .ldt / .ies

71-9514-52-52

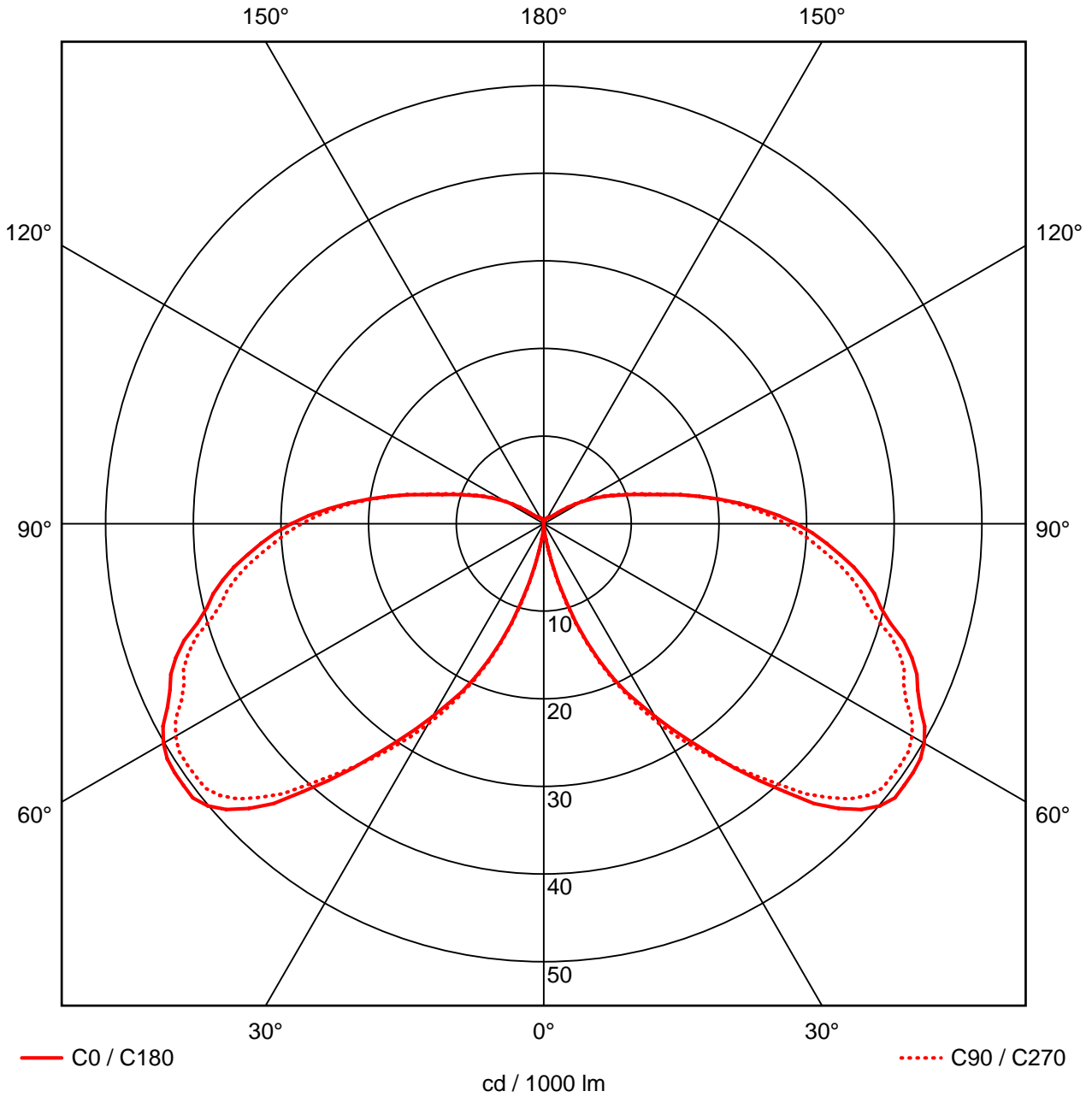


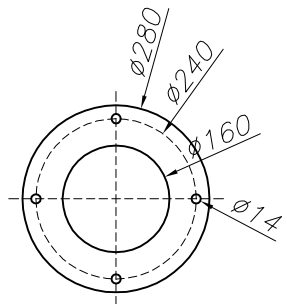
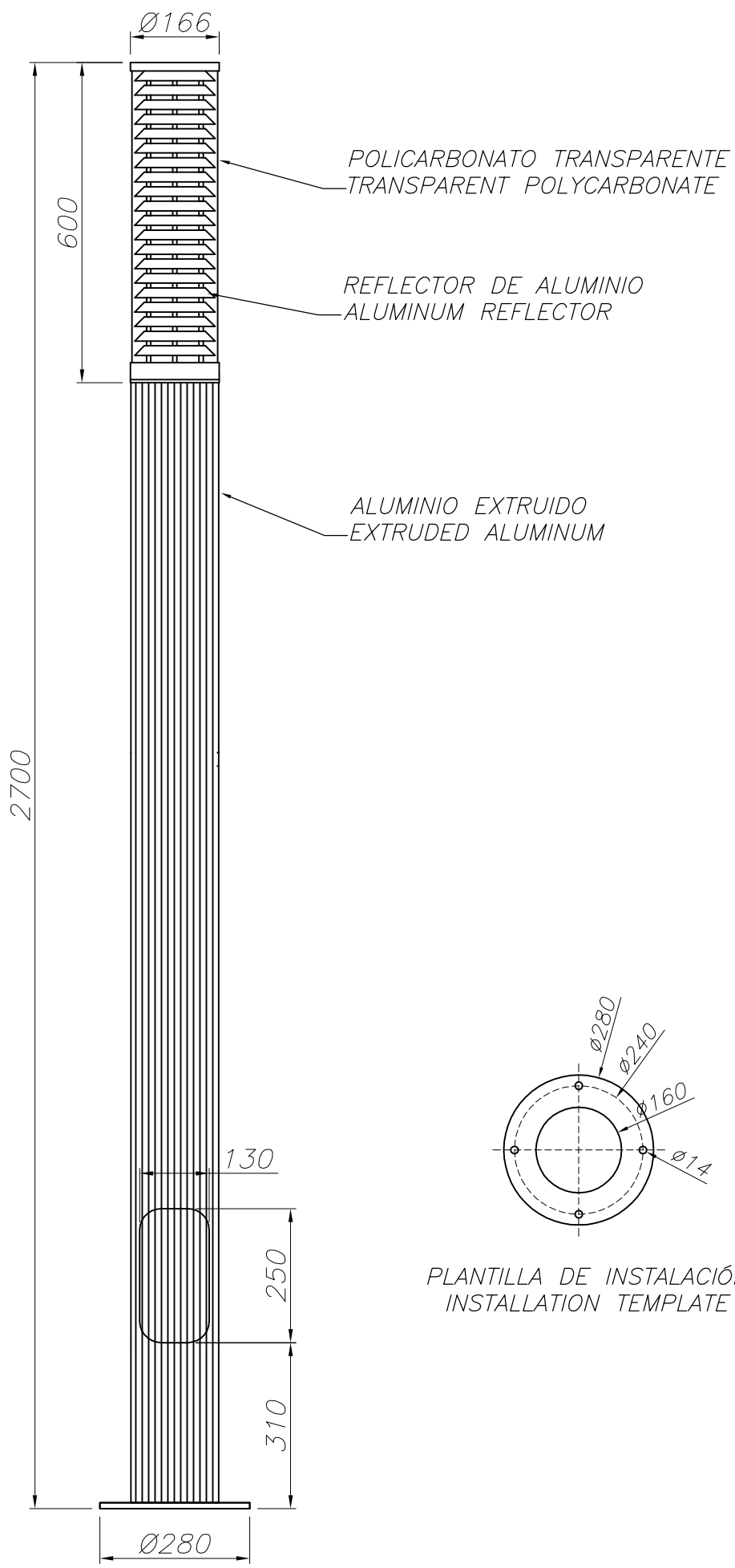
**Structure material:**

Aluminium

**Structure finish:**

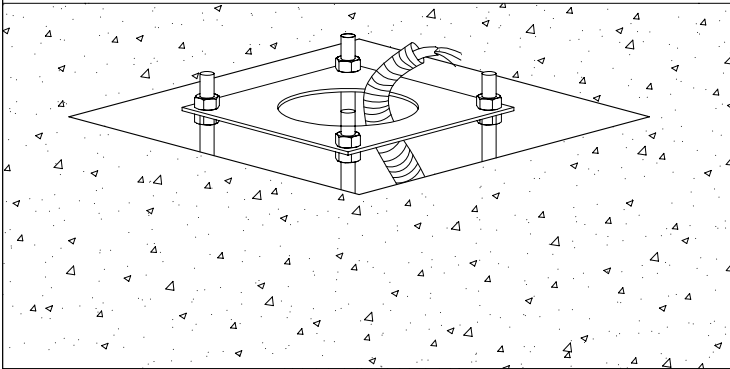
Shiny  
Grey



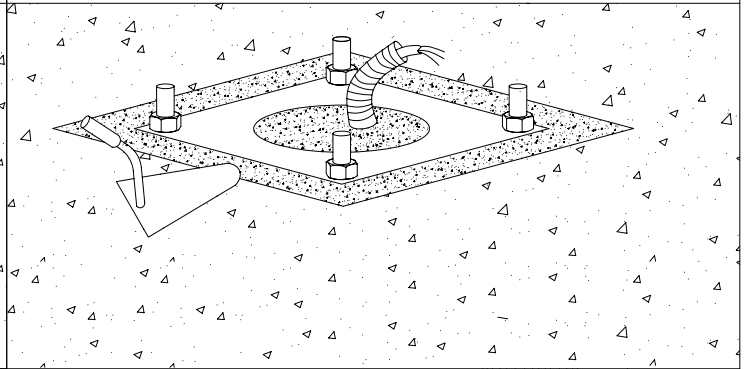


PLANTILLA DE INSTALACIÓN  
INSTALLATION TEMPLATE

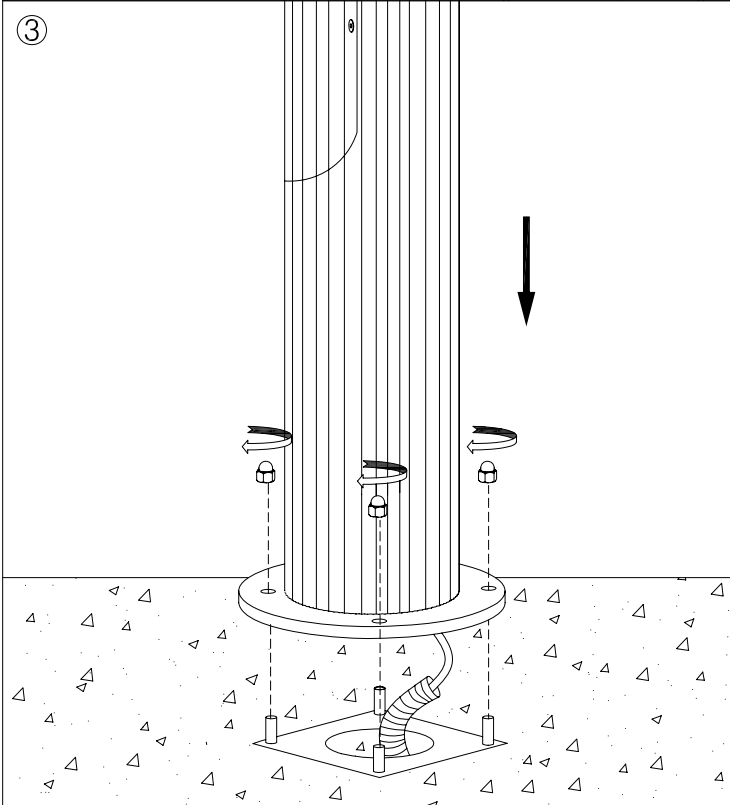
①



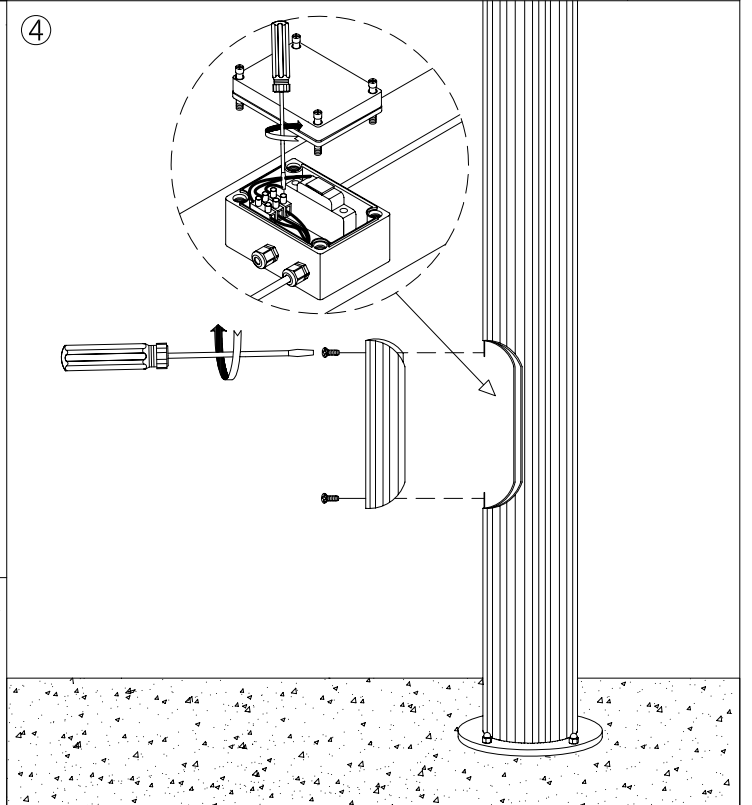
②



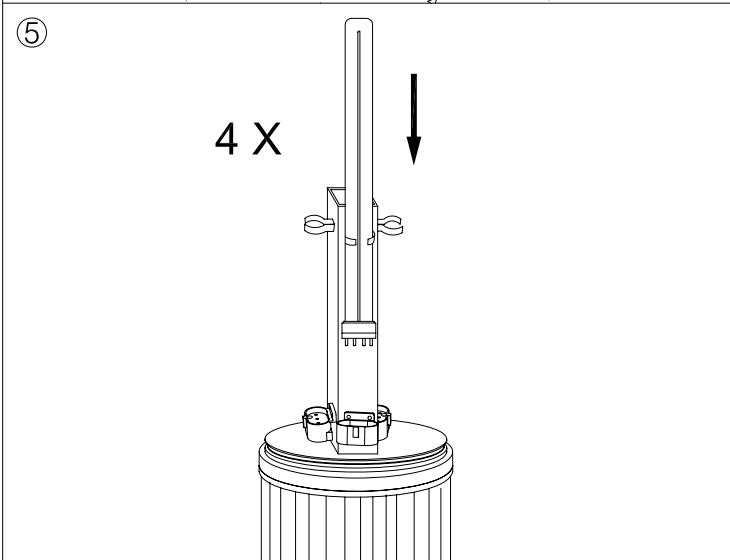
③



④



⑤



⑥

