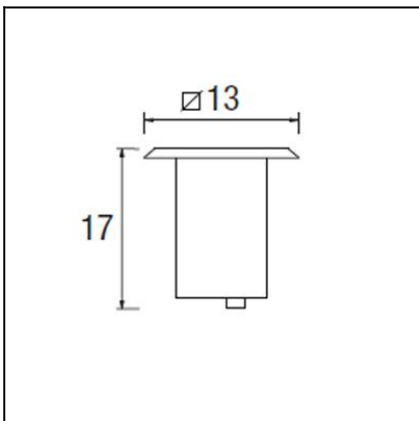




The photograph may not match the reference exactly. Please read the product description to identify the finish.



Download photometric file .ldt /.ies

DESCRIPTION

May be flush mounted into the floor. Body produced in techno-polymer, with an AISI 304 stainless steel surround and a tempered glass diffuser. For GU-10 light source, compatible with LED, compact fluorescent and halogen lamps. Its wire outlets on both sides makes it suitable for an array installation. Includes flush mounting box.

TECHNICAL CHARACTERISTICS

Type:	Uplight
IP Protection degrees:	IP67
IK Protection degrees:	IK08
Lampholder:	1 x GU10
Power (W):	GU10 MAX 50W
Total power consumption (W):	50
Voltage / Frequency:	230V/50-60Hz
Units per box:	8
Net Weight (Kg):	0.715
EAN:	8435111053539



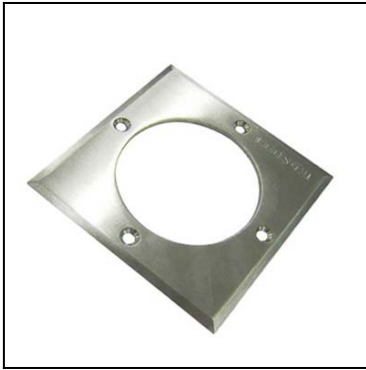
MATERIALS / FINISHES

Structure material: Stainless steel AISI304
Technopolymer

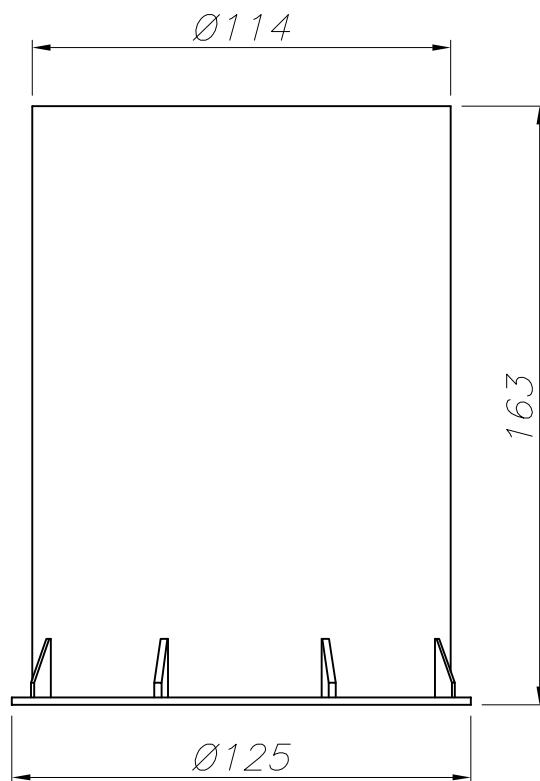
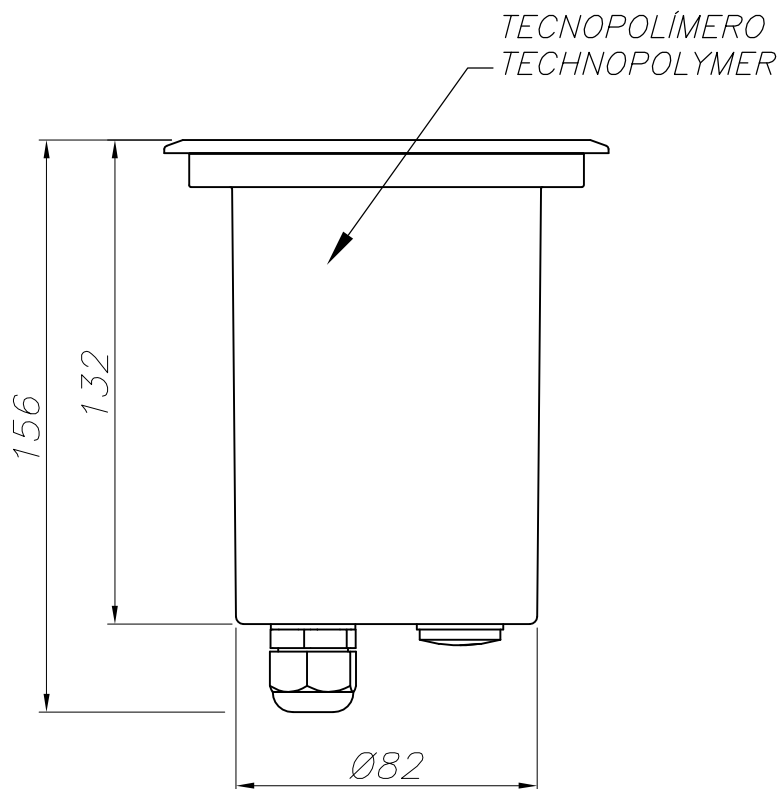
Diffuser material: Glass

Diffuser finish: Tempered

71-9449-CA-CA



Structure material: Stainless steel AISI316



CAJA DE EMPOTRAR
FLUSH FITTING BOX

