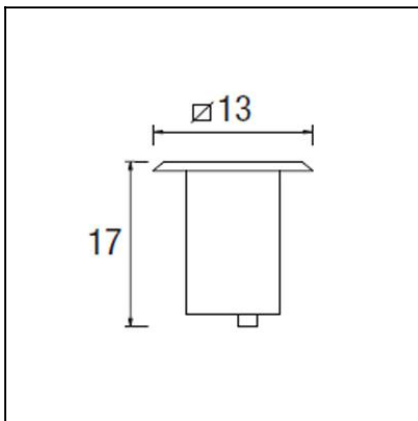




The photograph may not match the reference exactly. Please read the product description to identify the finish.

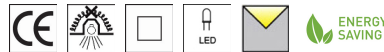


### DESCRIPTION

May be flush mounted into the floor. Body produced in techno-polymer, with an AISI 304 stainless steel surround and a tempered glass diffuser. 6,500K LED light source comprising 15 0.1W LED lights with a total output of 160 lumens. 2.5 m lead wire supplied. 230V. Driver included. Includes 3.000K warm light filter and 4 colour filters (yellow, green, blue and red). Its wire outlets on both sides makes it suitable for an array installation Includes flush mounting box.

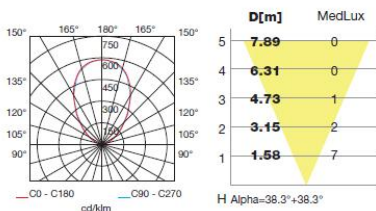
### TECHNICAL CHARACTERISTICS

Type:	Uplight
IP Protection degrees:	IP67
IK Protection degrees:	IK08
Bulb:	15 x LED. Cold white (> 5000 K)
Power (W):	0,1W
Voltage / Frequency:	230V/50-60Hz
Possibilitat extensió garantia:	Sí, 5 anys
Units per box:	8
Net Weight (Kg):	0.8
EAN:	8435111053553



### MATERIALS / FINISHES

<b>Structure material:</b>	Stainless steel AISI304 Technopolymer	<b>Diffuser material:</b> Glass
		<b>Diffuser finish:</b> Sandblasted



### GEAR

Gear included: Yes, electronic

Download photometric file .ldt / .ies

71-9449-CA-CA

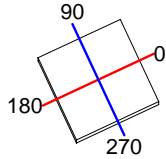


**Structure material:** Stainless steel AISI316

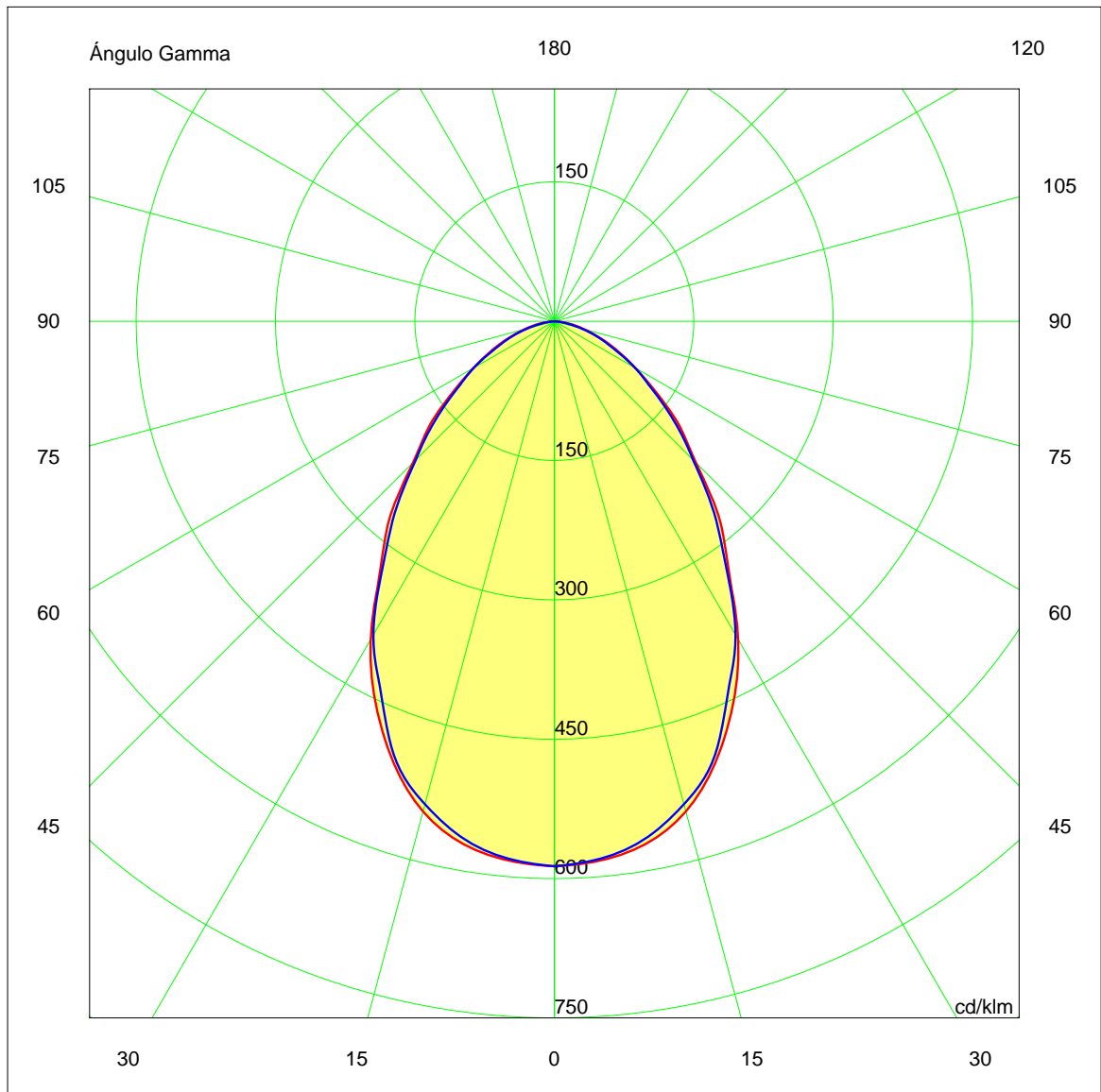
<b>Luminaria</b>		<b>Ensayo</b>		<b>Lámpara</b>	
Código	55-9283-Y4-T2	Código	55-9282-Y4-T2	Código	55-9282-Y4-T2
Nombre	Uplight 15Leds x 0.1W Blanco	Nombre	Uplight 15 leds x 0.1W blanco	Número	1
Familia	- LEDS-C4	Fecha	21-11-2008	Posición	Universal
Eficiencia	99.96%	Sist. de Coordin.	C-G	Flujo Total	27.67 lm
Valor Máximo	586.59 cd/klm	Posición	C=0.00 G=0.00	Bisimétrico	

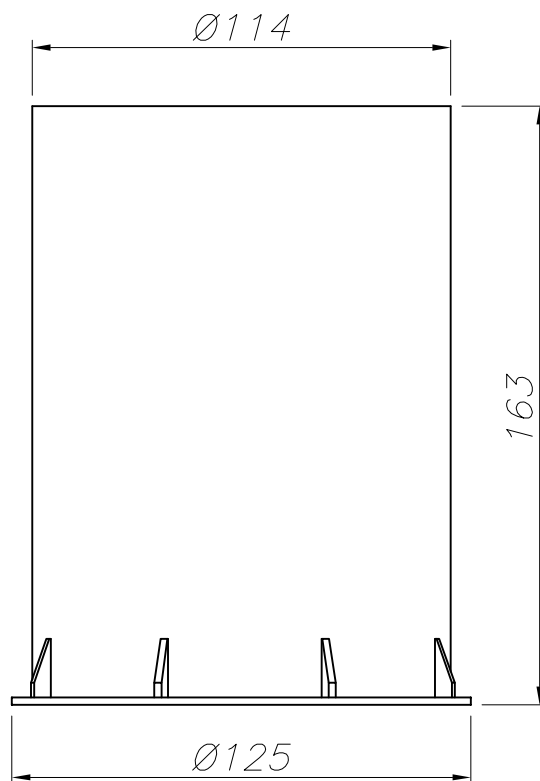
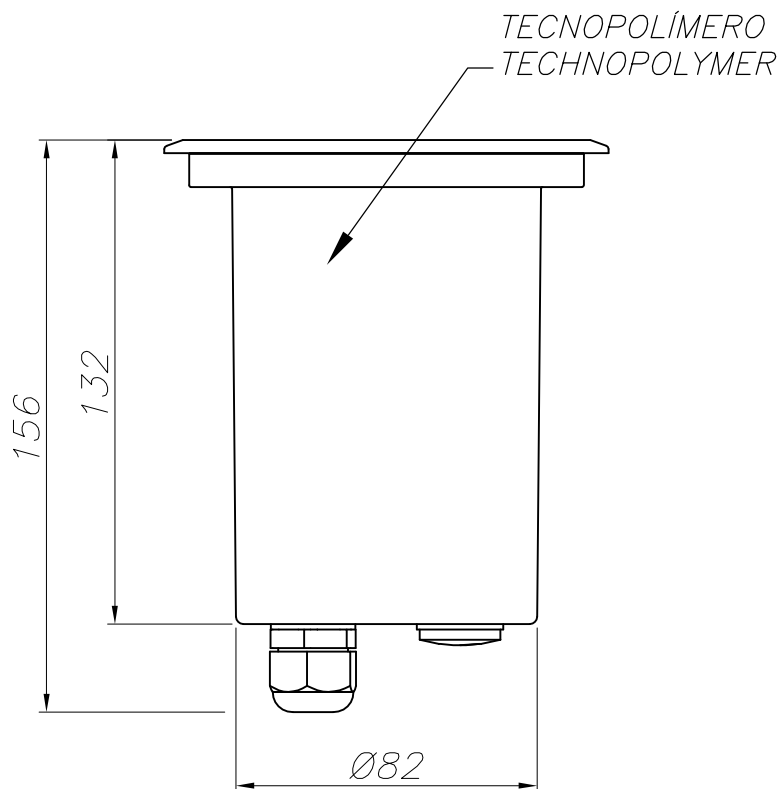
120mm x 120mm

Semiplanos C

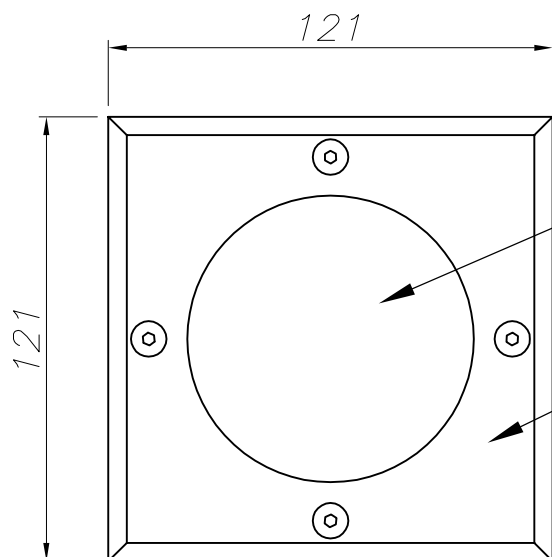


180.0 ——— 0.0  
270.0 ——— 90.0





CAJA DE EMPOTRAR  
FLUSH FITTING BOX



CRISTAL TEMPLADO ARENADO INTERIOR  
TEMPERED GLASS SANDFROSTED INSIDE

ACERO INOXIDABLE AISI 304  
STAINLESS STEEL AISI 304

