

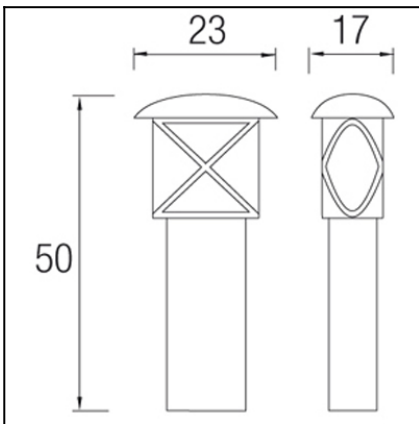
OUT 

CROSS

55-9295-18-M3



The photograph may not match the reference exactly. Please read the product description to identify the finish.



Download photometric file .ldt /.ies

TECHNICAL CHARACTERISTICS

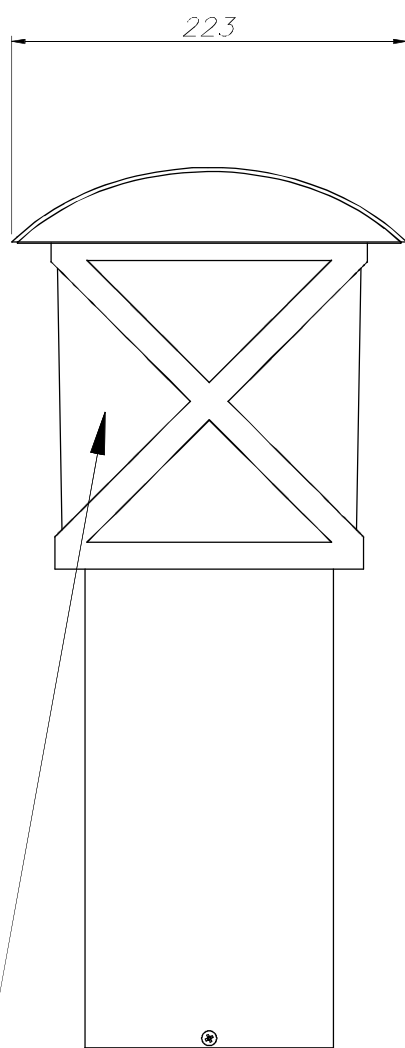
Type:	Beacon
IP Protection degrees:	IP44
Lampholder:	1 x E27
Power (W):	E27 MAX. 100
Total power consumption (W):	100
Voltage / Frequency:	220-240V/50-60Hz
Units per box:	4
Net Weight (Kg):	1.475
EAN:	8435111055953



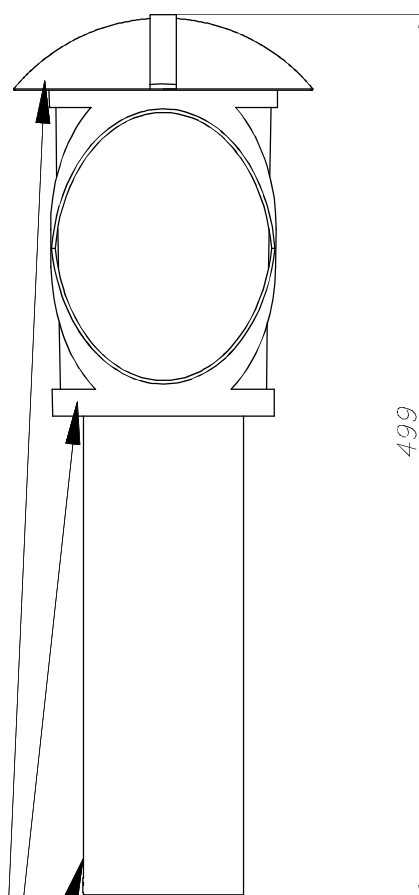
MATERIALS / FINISHES

Structure material: High purity aluminium
Structure finish: Oxide brown

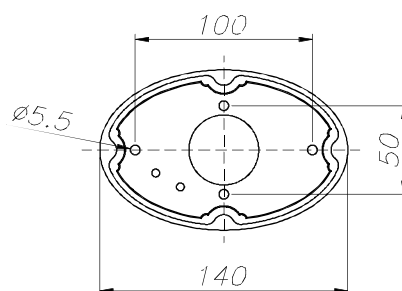
Diffuser material: Polycarbonate
Diffuser finish: Matt



POLICARBONATO MATE
MATT POLYCARBONATE

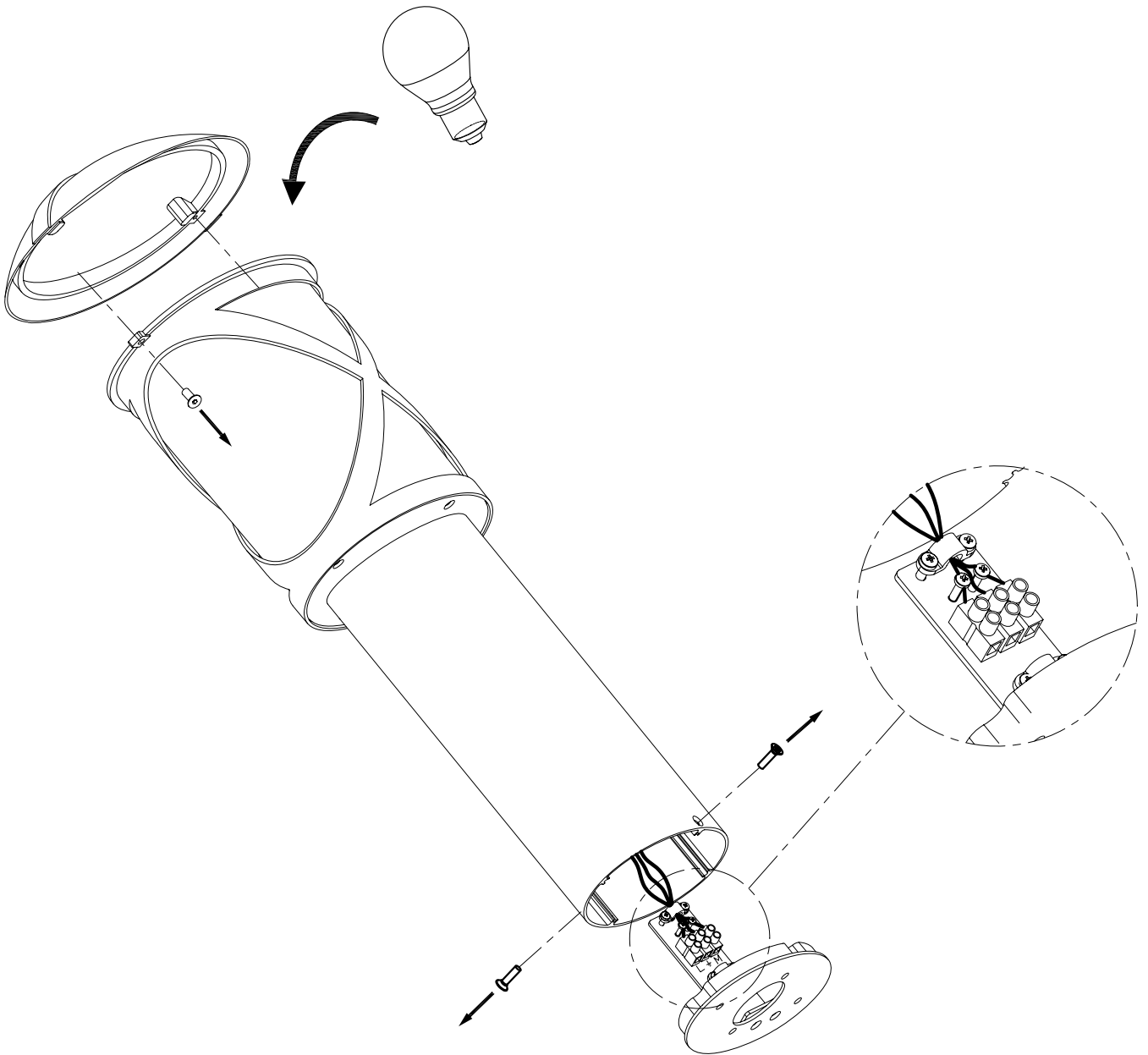


ALUMINIO INYECTADO
INJECTED ALUMINIUM

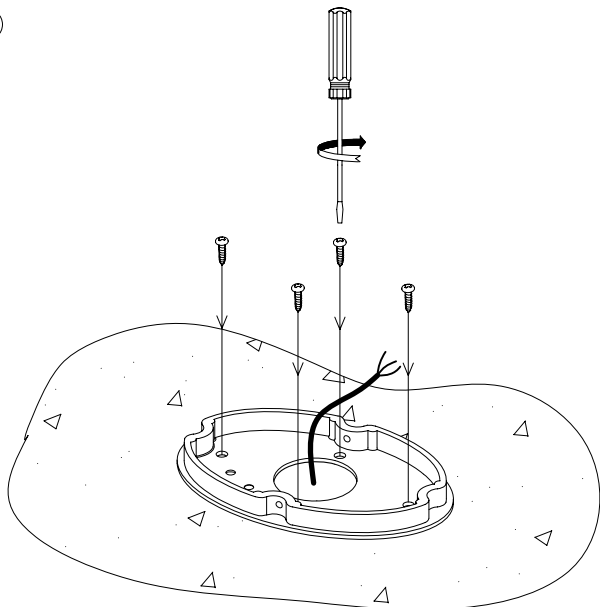


PLANTILLA DE INSTALACIÓN
INSTALLATION TEMPLATE

①



②



③

