

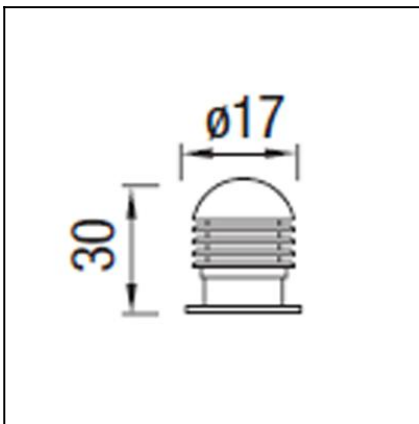
OUT 

BALIZAS

55-9318-34-M3



The photograph may not match the reference exactly. Please read the product description to identify the finish.



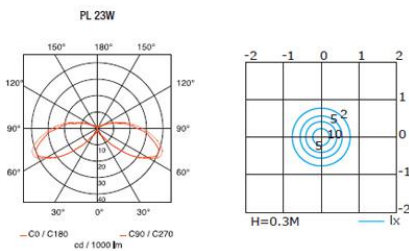
TECHNICAL CHARACTERISTICS

Type:	Beacon
IP Protection degrees:	IP44
IK Protection degrees:	IK08
Lampholder:	1 x E27
Power (W):	E27 100W
Total power consumption (W):	100
Voltage / Frequency:	230V/50-60Hz
Warranty (Years):	2
Units per box:	6
Net Weight (Kg):	1.485
EAN:	8435111075883,00



MATERIALS / FINISHES

Structure material:	High purity aluminium	Diffuser material:	Polycarbonate
Structure finish:	Grey	Diffuser finish:	Matt



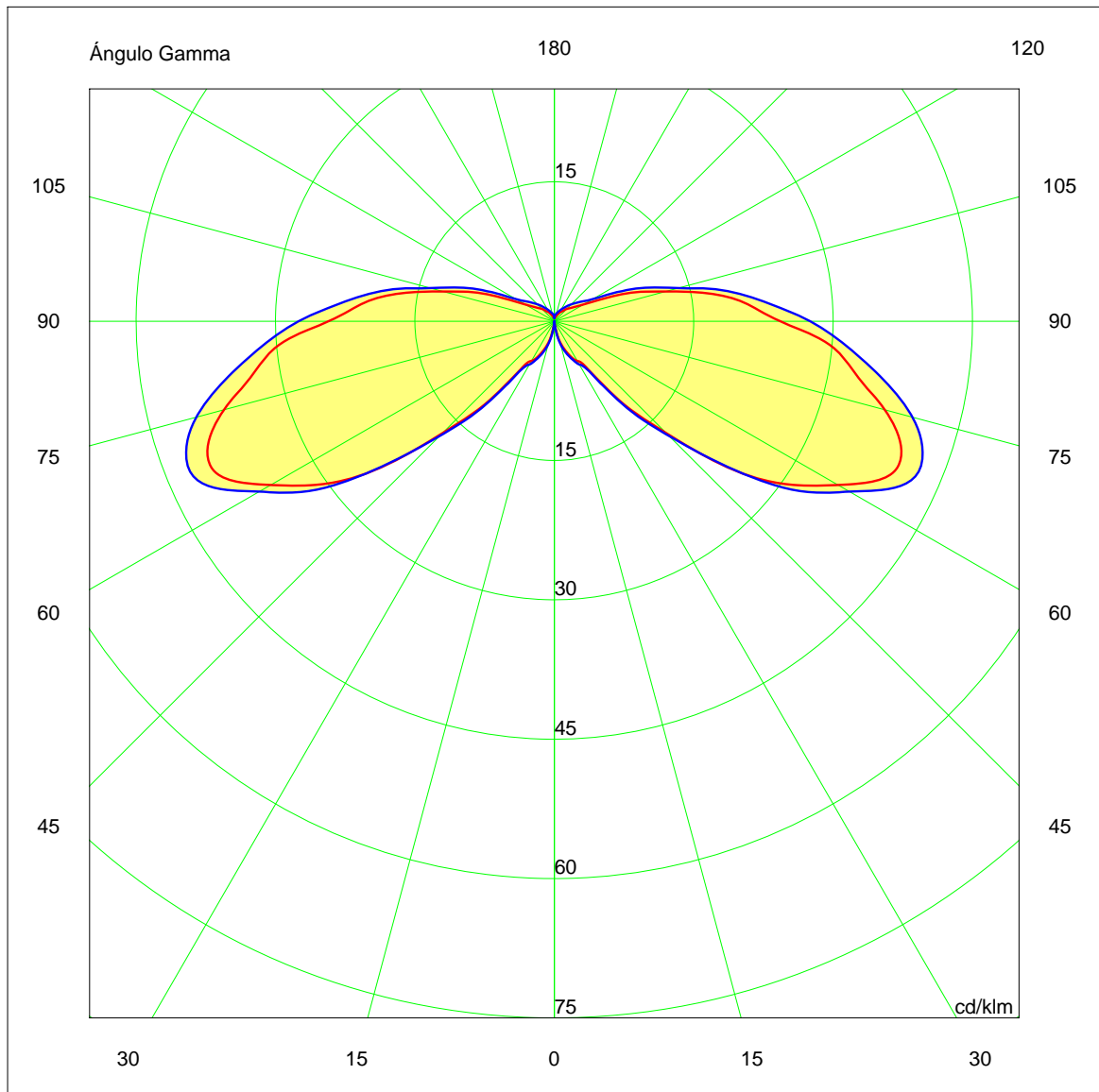
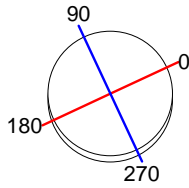
Download photometric file .ldt /.ies

Luminaria Código 55-9318-34-M2 Nombre Baliza 1x23W TC-EL E27 Familia - LEDS-C4		Ensayo Código 55-9318-34-M2 Nombre Baliza peq alum 1x23W OSRAM Fecha 15-11-2008		Lámpara Código DELN2341 Número 1 Posición UNIVERSAL	
Eficiencia	21.97%	Sist. de Coordin.	C-G	Flujo Total	1500.00 lm
Valor Máximo	43.14 cd/klm	Posición	C=30.00 G=70.00	Asimétrico	

Diam=120mm

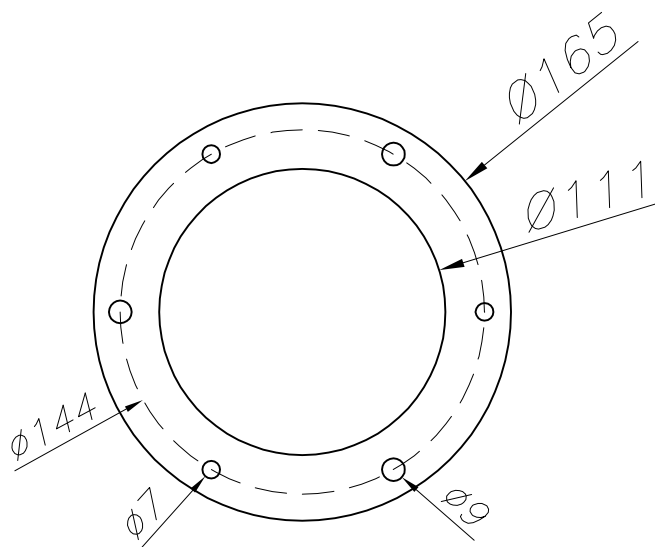
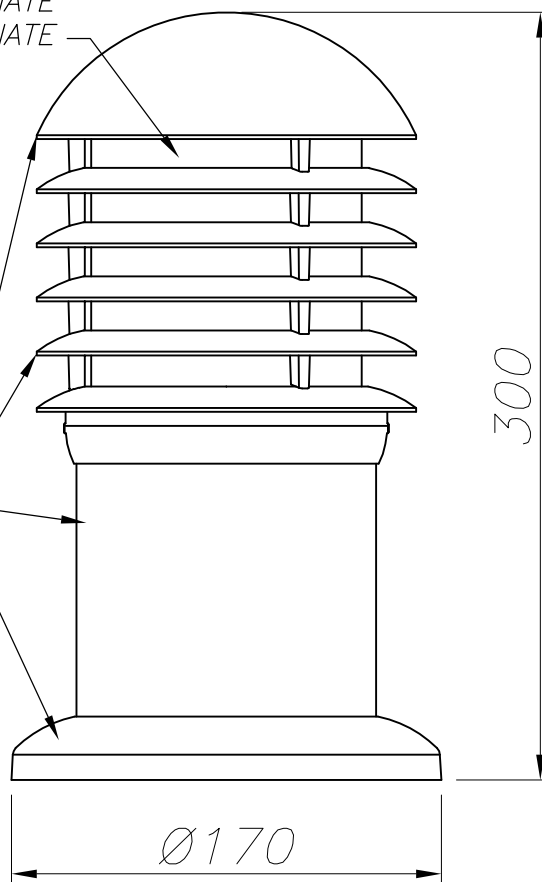
Semiplanos C

180.0 ——— 0.0
270.0 ——— 90.0

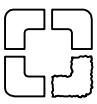


POLICARBONATO TRANSPARENTE MATE
TRANSPARENT MATT POLYCARBONATE

ALUMINIO DE ALTA PUREZA
HIGH QUALITY ALUMINUM



PLANTILLA DE INSTALACIÓN
INSTALLATION TEMPLATE



LEDSS-C4

OUTDOOR

55-9318
55-9319
55-9320

